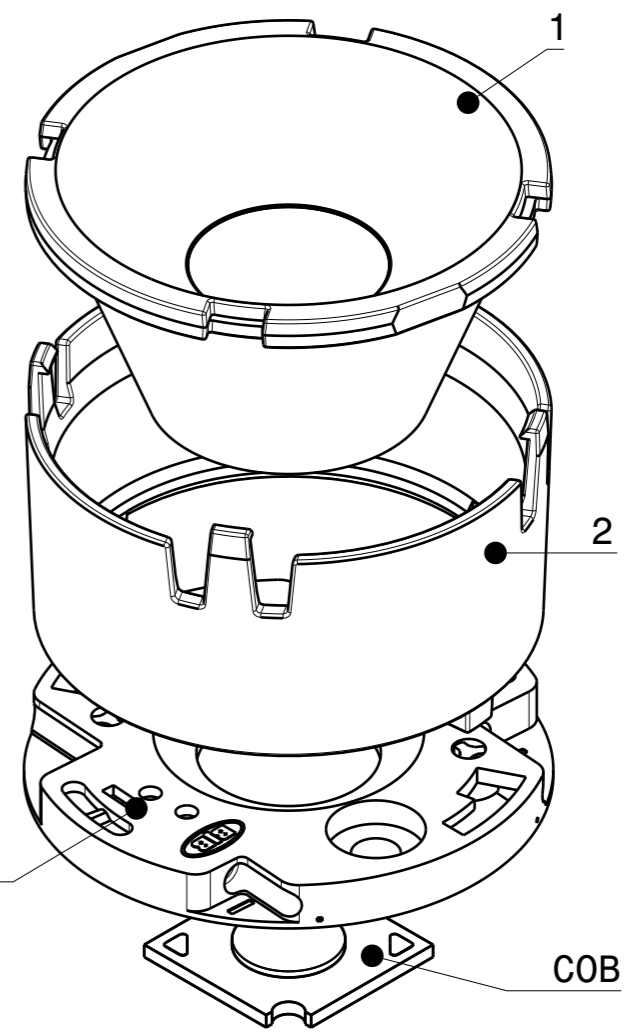
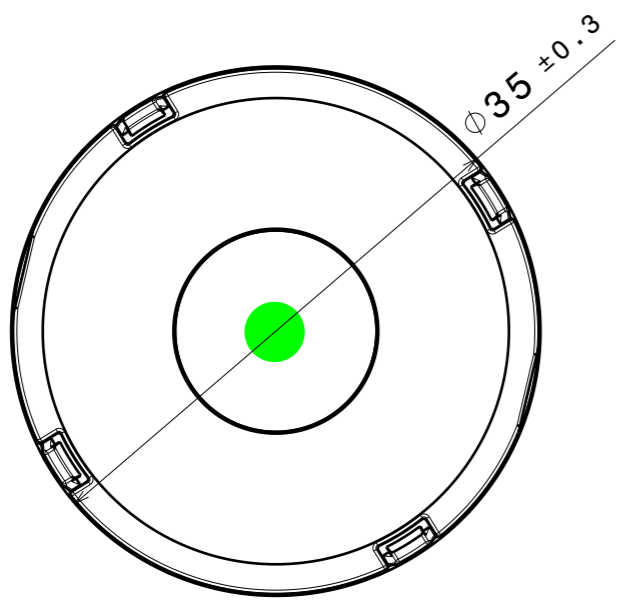
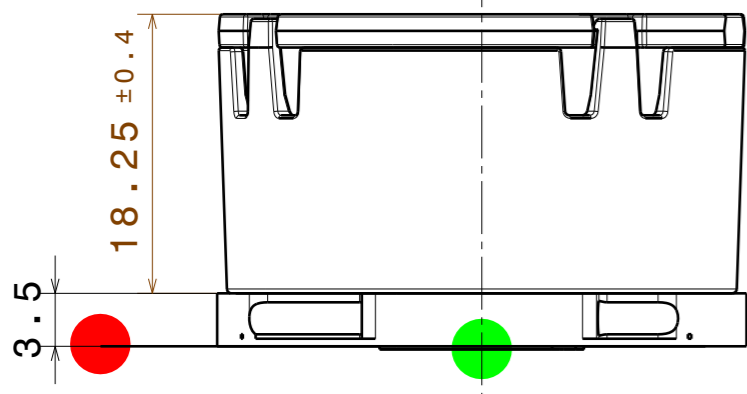


CP19746_YASMEEN-35-NS-B
CP19747_YASMEEN-35-NS-B-WHT



Connector
BJB / B+W 35mm-interface

COB

INDEX	PART	TYPE	QTY	MATERIAL	COLOUR/COATING	ASSEMBLY CODES
1	C19745_YASMEEN-35-NS	LENS	1	PMMA	CLEAR	
2	HOLDER B	HOLDER	1			
	C18522_YASMEEN-35-HLD-B			PC	BLACK	CP19746_YASMEEN-35-NS-B
	C19219_YASMEEN-35-HLD-B-WHT			PC	WHITE	CP19747_YASMEEN-35-NS-B-WHT

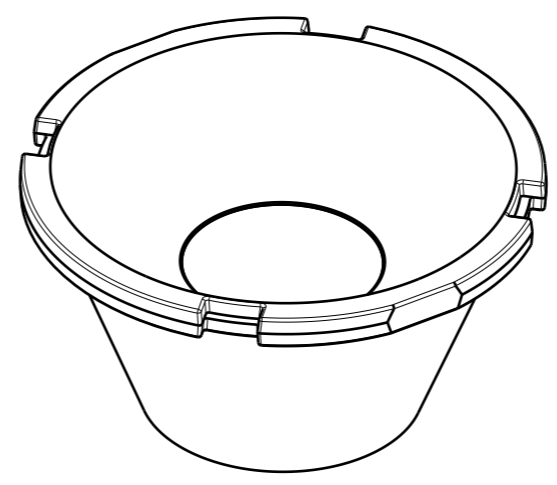
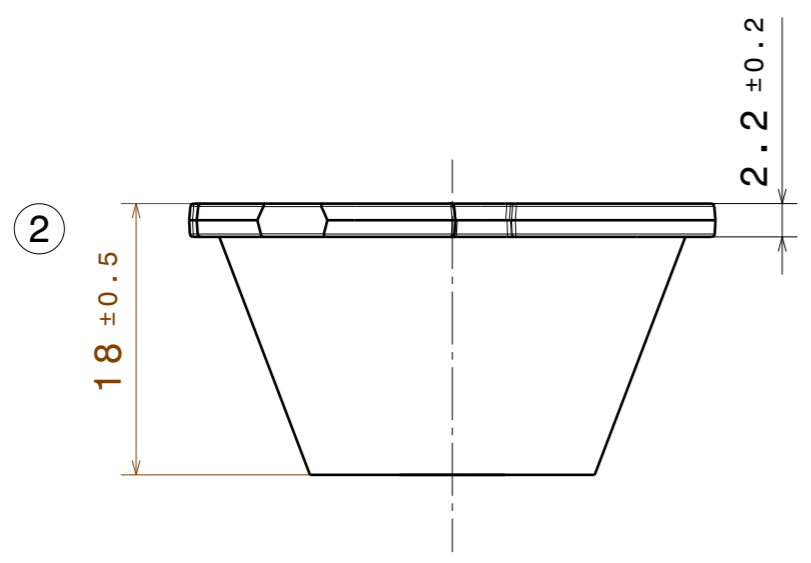
MECHANICAL DRAWING		LEDiL
PRODUCT YASMEEN-35-NS		
Plastic moulding general tolerances according to DIN 16901-130 and applies if not otherwise shown in the drawing. Silicone moulding general tolerances according to ISO 3302-1 Class M3 and applies if not otherwise shown in the drawing.	FIRST ANGLE PROJECTION: 	This drawing is the property of LEDiL Oy. It may not be copied or otherwise distributed without prior written permission from LEDiL Oy.
SCALE 2:1	WEIGHT -	A3 SHEET 1/1

Notes

- PCB or heatsink level.
- LED location
- Ensure LED fitting from a product specific 3D model available from www.ledil.com
- For more details about installation please see LEDiL Installation Guide on www.ledil.com

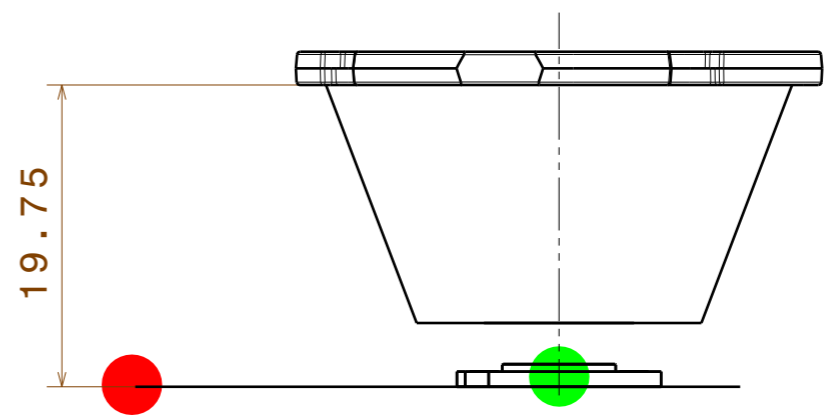
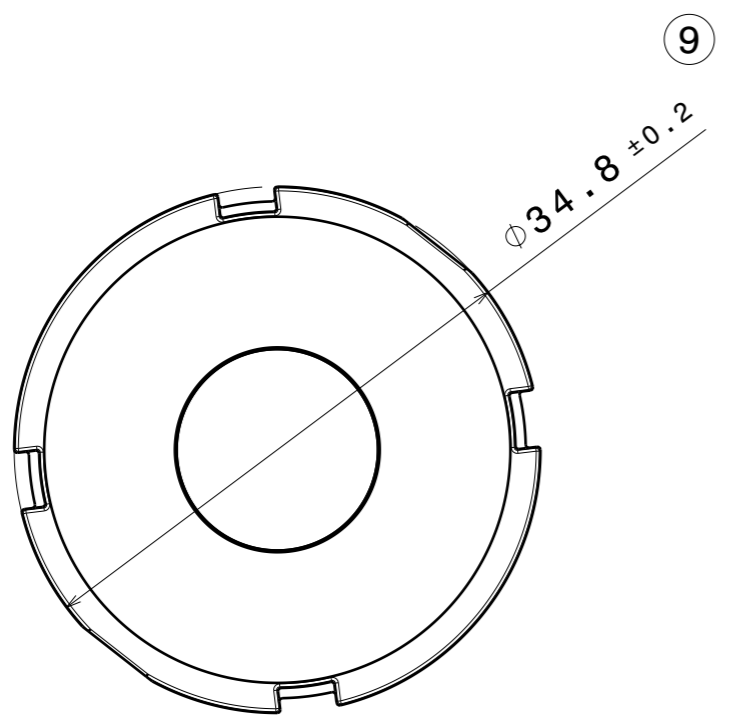
H G F E D C B A

4



4

3



3

2

2

PART	TYPE	MATERIAL	COLOR / COATING
C19745_YASMEEN-35-NS	LENS	PMMA	CLEAR

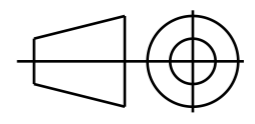
MECHANICAL DRAWING

PRODUCT **YASMEEN-35-NS**

LEDiL

Plastic moulding general tolerances according to DIN 16901-130 and applies if not otherwise shown in the drawing.
Silicone moulding general tolerances according to ISO 3302-1 Class M3 and applies if not otherwise shown in the drawing.

FIRST ANGLE PROJECTION:



This drawing is the property of LEDiL Oy. It may not be copied or otherwise distributed without prior written permission from LEDiL Oy.

SCALE 2:1

WEIGHT -

A3 SHEET 1/1

Notes

	PCB or heatsink level.
	LED location
	Ensure LED fitting from a product specific 3D model available from www.ledil.com
	For more details about installation please see LEDiL Installation Guide on www.ledil.com

H G F E D C B A

1

1