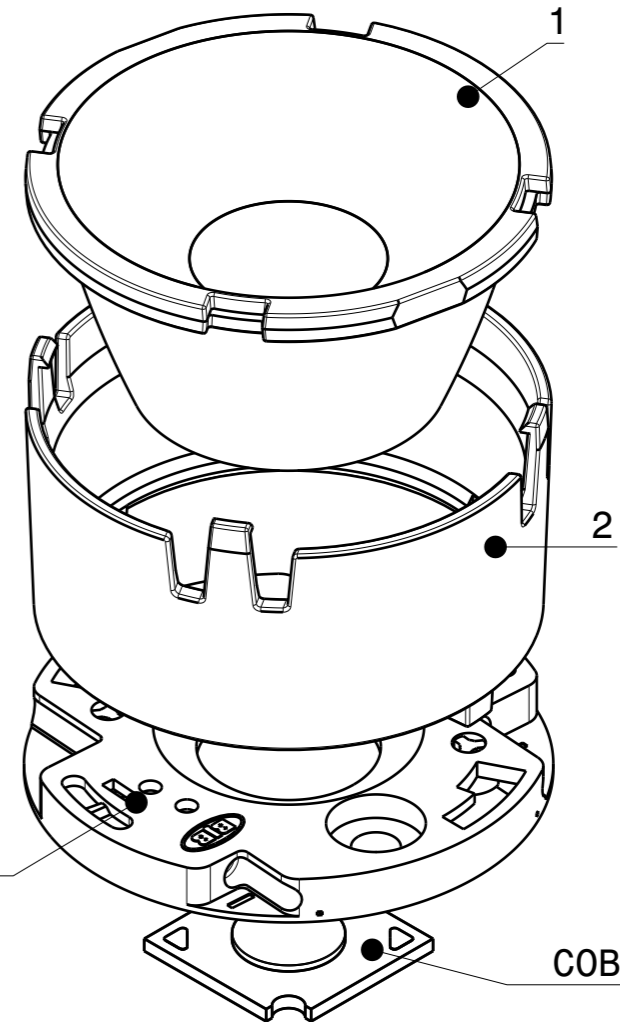
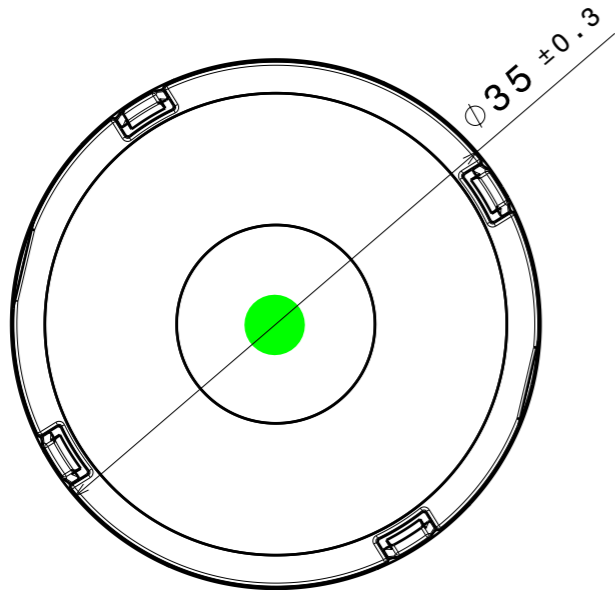
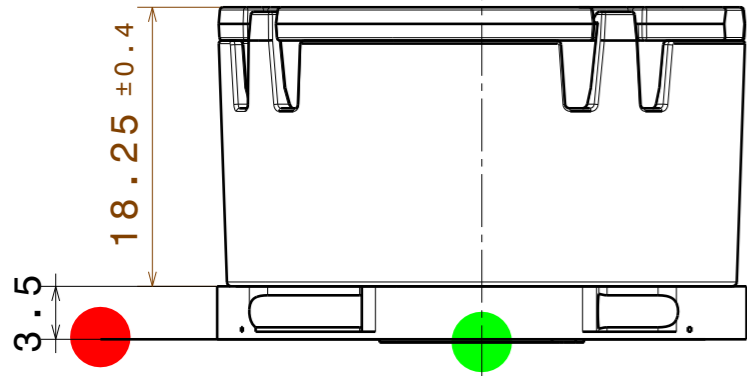


CP18525_YASMEEN-35-W-B
 CP19222_YASMEEN-35-W-B-WHT



Connector
 BJB / B+W 35mm-interface

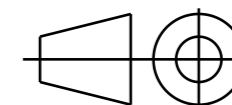
INDEX	PART	TYPE	QTY	MATERIAL	COLOUR/COATING	ASSEMBLY CODES
1	C18520_YASMEEN-35-W	LENS	1	PMMA	CLEAR	
2	HOLDER B	HOLDER	1			
	C18522_YASMEEN-35-HLD-B			PC	BLACK	CP18525_YASMEEN-35-W-B
	C19219_YASMEEN-35-HLD-B-WHT			PC	WHITE	CP19222_YASMEEN-35-W-B-WHT

MECHANICAL DRAWING

PRODUCT
YASMEEN-35-W

Plastic moulding general tolerances according to DIN 16901-130 and applies if not otherwise shown in the drawing.
 Silicone moulding general tolerances according to ISO 3302-1 Class M3 and applies if not otherwise shown in the drawing.

FIRST ANGLE PROJECTION:



LEDiL

This drawing is the property of LEDiL Oy. It may not be copied or otherwise distributed without prior written permission from LEDiL Oy.

SCALE 2:1

WEIGHT -

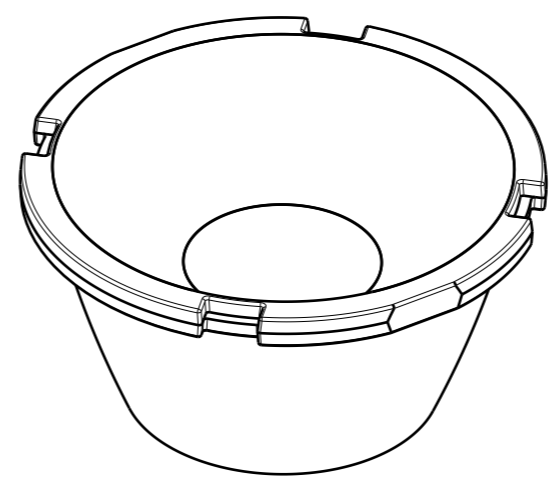
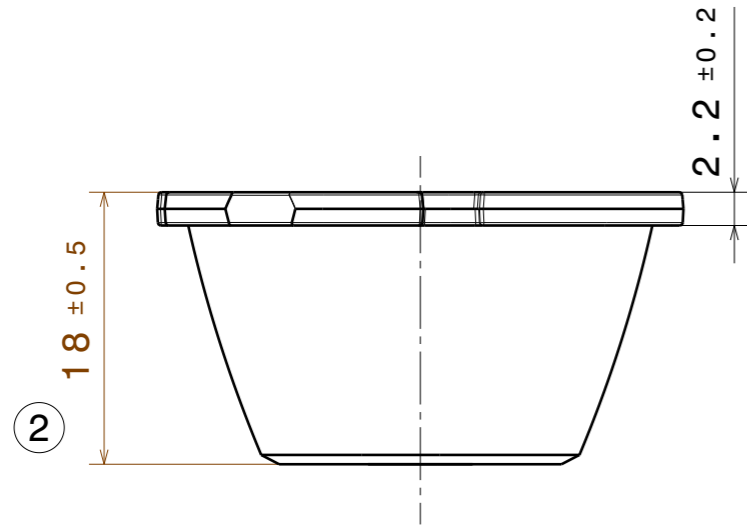
A3 SHEET 1/1

Notes

- PCB or heatsink level.
- LED location
- Ensure LED fitting from a product specific 3D model available from www.ledil.com
- For more details about installation please see LEDiL Installation Guide on www.ledil.com

H G F E D C B A

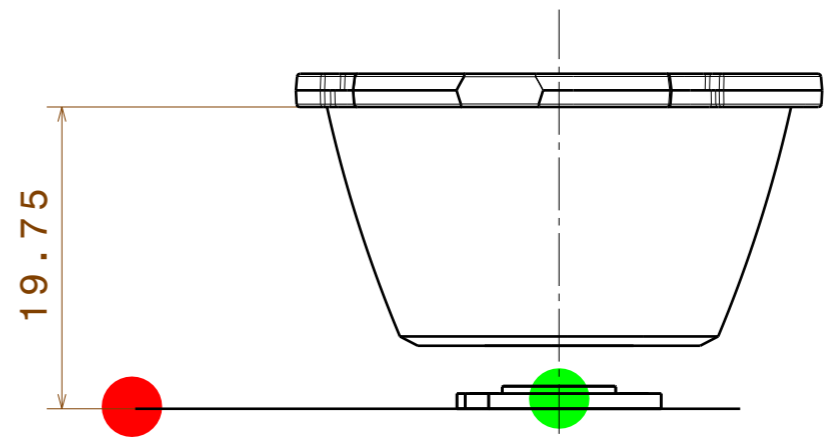
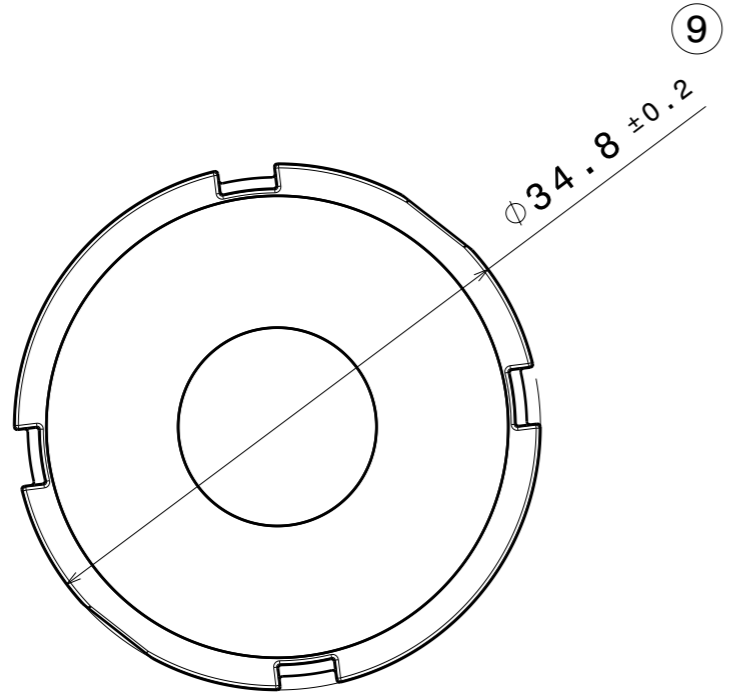
4



4

3

3



2

2

PART	TYPE	MATERIAL	COLOR / COATING
C18520_YASMEEN-35-W	LENS	PMMA	CLEAR

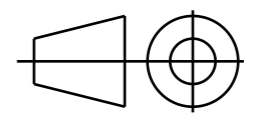
MECHANICAL DRAWING

PRODUCT **YASMEEN-35-W**

LEDiL

Plastic moulding general tolerances according to DIN 16901-130 and applies if not otherwise shown in the drawing. Silicone moulding general tolerances according to ISO 3302-1 Class M3 and applies if not otherwise shown in the drawing.

FIRST ANGLE PROJECTION:



This drawing is the property of LEDiL Oy. It may not be copied or otherwise distributed without prior written permission from LEDiL Oy.

SCALE	2:1	WEIGHT	-	A3	SHEET 1/1
-------	-----	--------	---	----	-----------

Notes

- PCB or heatsink level.
- LED location
- Ensure LED fitting from a product specific 3D model available from www.ledil.com
- For more details about installation please see LEDiL Installation Guide on www.ledil.com

H G F E D C B A

1

1