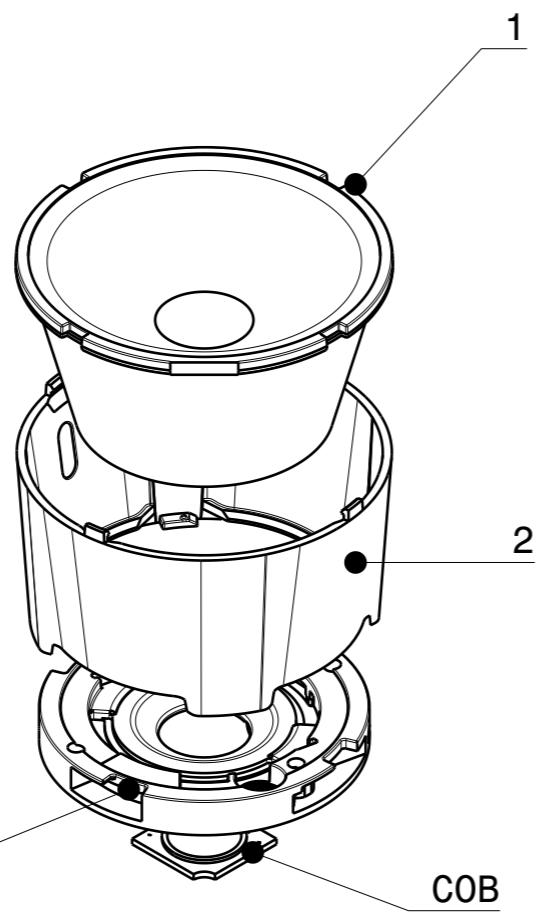
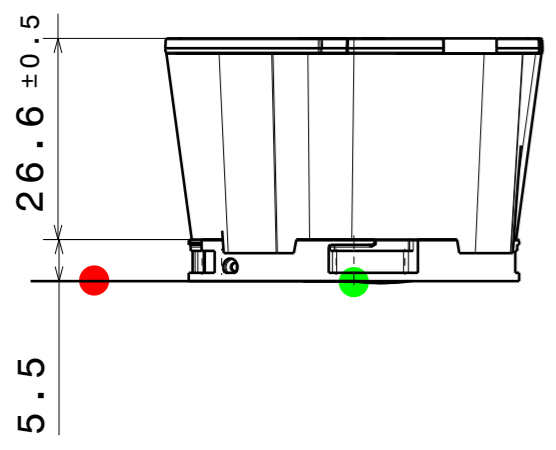
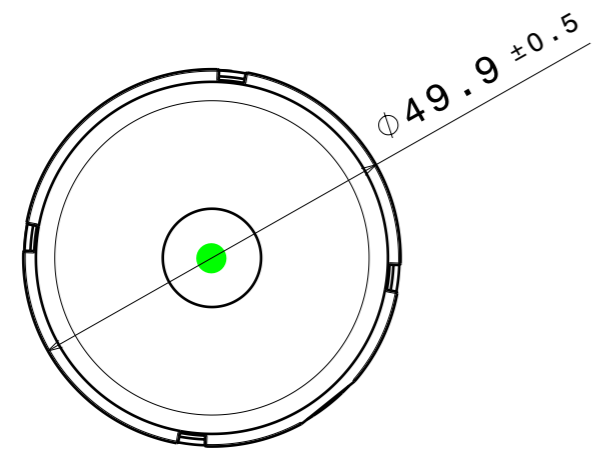
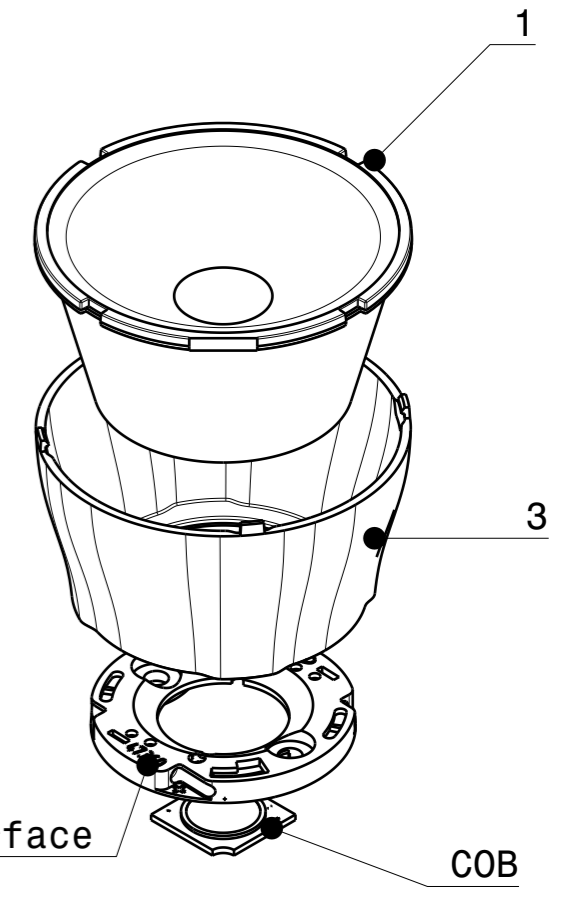
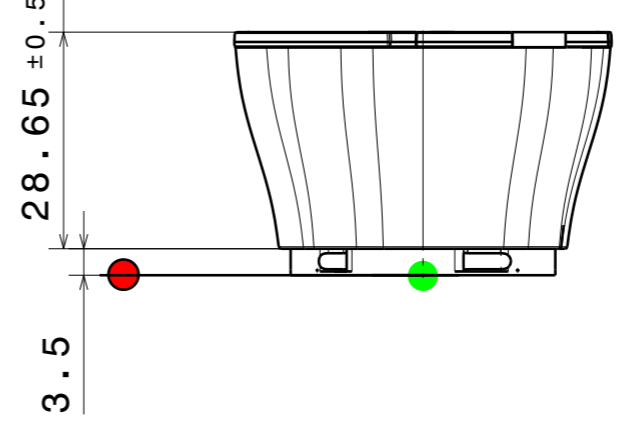


CP18726_YASMEEN-50-WW-C2
CP18740_YASMEEN-50-WW-C2-WHT



CP18733_YASMEEN-50-WW-B2
CP18747_YASMEEN-50-WW-B2-WHT



Top view
Scale: 1:1

INDEX	PART	TYPE	QTY	MATERIAL	COLOUR/COATING	ASSEMBLY CODES
1	C17237_YASMEEN-50-WW	LENS	1	PMMA	CLEAR	
2	HOLDER C	HOLDER 1				
	C18691_YASMEEN-50-HLD2-C			PC	BLACK	CP18726_YASMEEN-50-WW-C2
	C18715_YASMEEN-50-HLD2-C-WHT			PC	WHITE	CP18740_YASMEEN-50-WW-C2-WHT
3	HOLDER B					
	C18694_YASMEEN-50-HLD2-B			PC	BLACK	CP18733_YASMEEN-50-WW-B2
	C18716_YASMEEN-50-HLD2-B-WHT			PC	WHITE	CP18747_YASMEEN-50-WW-B2-WHT

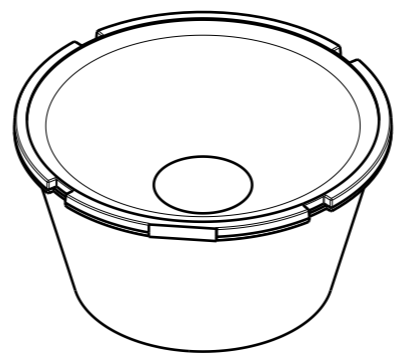
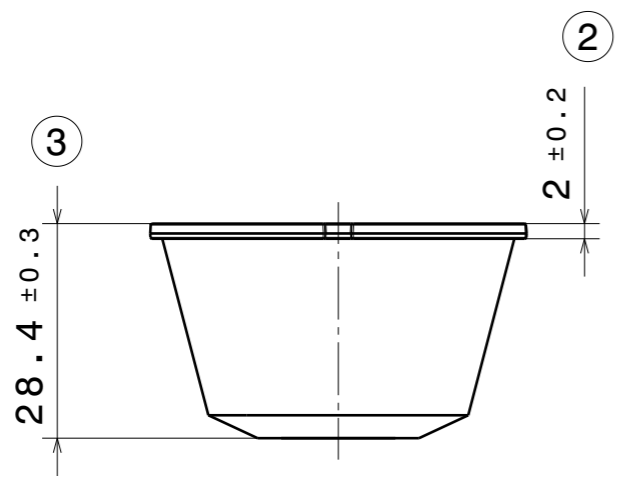
MECHANICAL DRAWING		LEDiL
PRODUCT YASMEEN-50-WW		
Plastic moulding general tolerances according to DIN 16901-130 and applies if not otherwise shown in the drawing. Silicone moulding general tolerances according to ISO 3302-1 Class M3 and applies if not otherwise shown in the drawing.	FIRST ANGLE PROJECTION: 	This drawing is the property of LEDiL Oy. It may not be copied or otherwise distributed without prior written permission from LEDiL Oy.
SCALE 1:1	WEIGHT -	A3 SHEET 1/1

Notes

- PCB or heatsink level.
- LED location
- Ensure LED fitting from a product specific 3D model available from www.ledil.com
- For more details about installation please see LEDiL Installation Guide on www.ledil.com

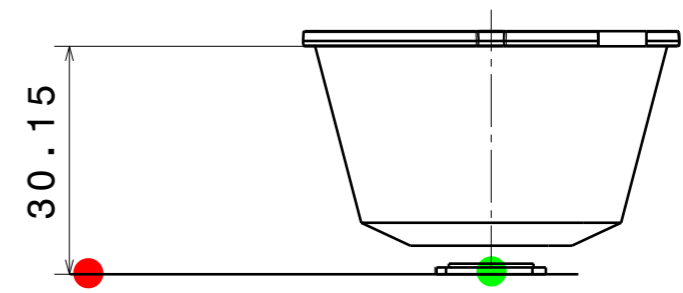
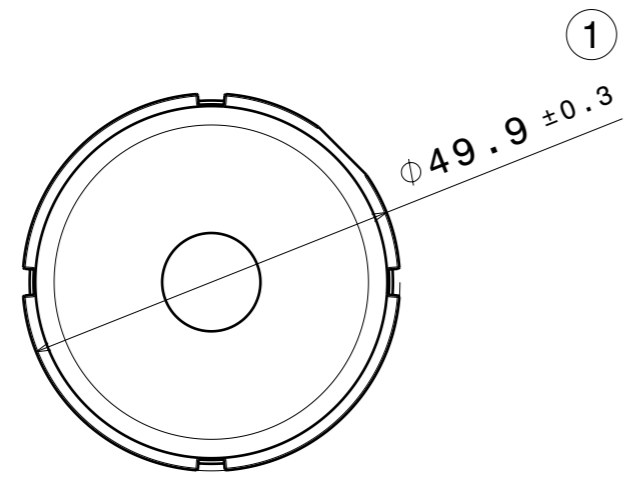
H G F E D C B A

4



4

3



3

2

2

PART	TYPE	MATERIAL	COLOR / COATING
C17237_YASMEEN-50-WW	LENS	PMMA	CLEAR

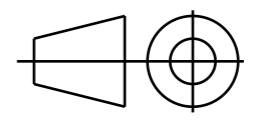
MECHANICAL DRAWING

PRODUCT **YASMEEN-50-WW**



Plastic moulding general tolerances according to DIN 16901-130 and applies if not otherwise shown in the drawing. Silicone moulding general tolerances according to ISO 3302-1 Class M3 and applies if not otherwise shown in the drawing.

FIRST ANGLE PROJECTION:



This drawing is the property of LEDiL Oy. It may not be copied or otherwise distributed without prior written permission from LEDiL Oy.

SCALE	1:1	WEIGHT	-	A3	SHEET 1/1
-------	-----	--------	---	----	-----------

Notes

- PCB or heatsink level.
- LED location
- Ensure LED fitting from a product specific 3D model available from www.ledil.com
- For more details about installation please see LEDiL Installation Guide on www.ledil.com

H G F E D C B A

1

1