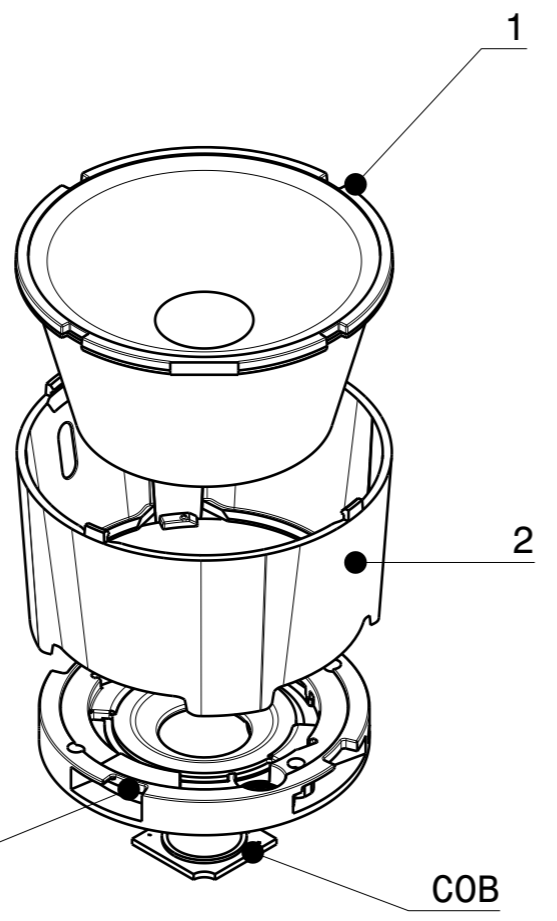
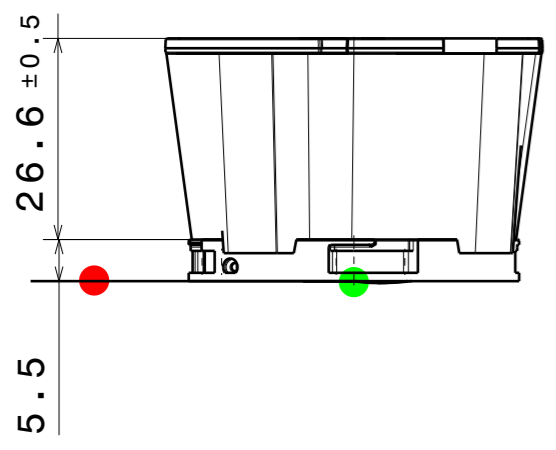
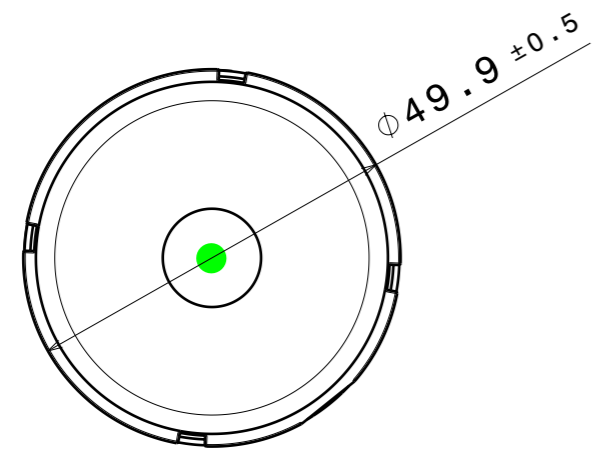
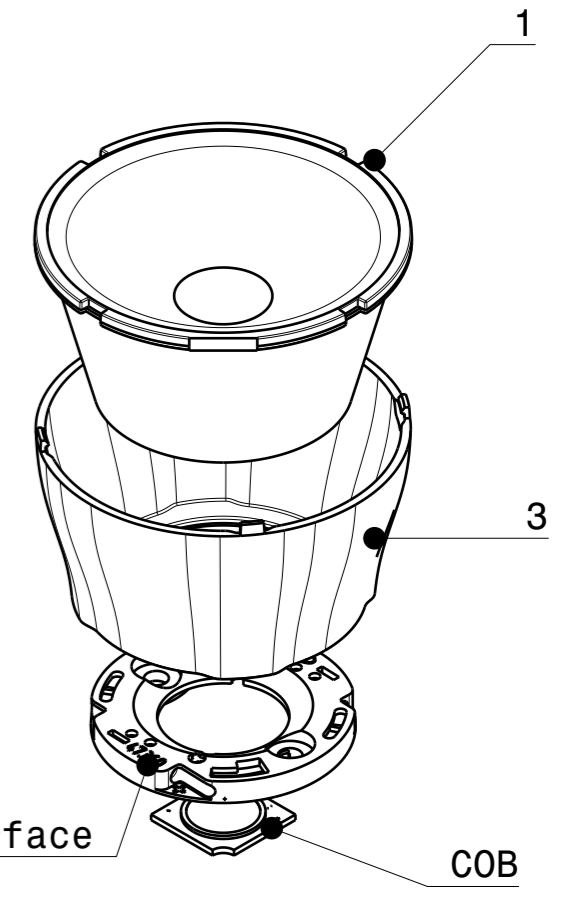
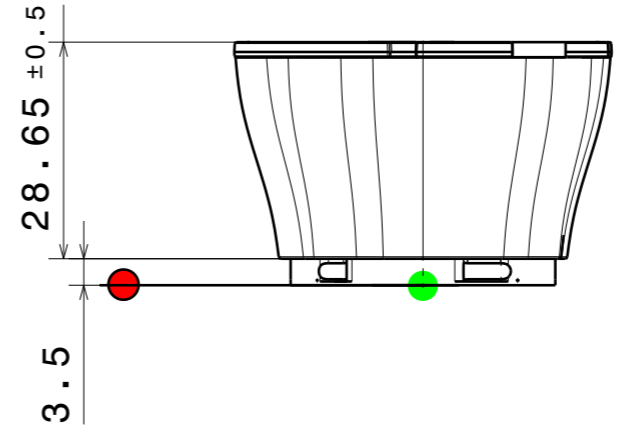


CP18723_YASMEEN-50-S-C2
 CP18737_YASMEEN-50-S-C2-WHT



CP18730_YASMEEN-50-S-B2
 CP18744_YASMEEN-50-S-B2-WHT



Top view
 Scale: 1:1

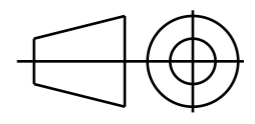
INDEX	PART	TYPE	QTY	MATERIAL	COLOUR/COATING	ASSEMBLY CODES
1	C17234_YASMEEN-50-S	LENS	1	PMMA	CLEAR	
2	HOLDER C	HOLDER 1				
	C18691_YASMEEN-50-HLD2-C			PC	BLACK	CP18723_YASMEEN-50-S-C2
	C18715_YASMEEN-50-HLD2-C-WHT			PC	WHITE	CP18737_YASMEEN-50-S-C2-WHT
3	HOLDER B					
	C18694_YASMEEN-50-HLD2-B			PC	BLACK	CP18730_YASMEEN-50-S-B2
	C18716_YASMEEN-50-HLD2-B-WHT			PC	WHITE	CP18744_YASMEEN-50-S-B2-WHT

MECHANICAL DRAWING

PRODUCT
YASMEEN-50-S

Plastic moulding general tolerances according to DIN 16901-130 and applies if not otherwise shown in the drawing.
 Silicone moulding general tolerances according to ISO 3302-1 Class M3 and applies if not otherwise shown in the drawing.

FIRST ANGLE PROJECTION:



SCALE 1:1

WEIGHT -

LEDiL

This drawing is the property of LEDiL Oy. It may not be copied or otherwise distributed without prior written permission from LEDiL Oy.

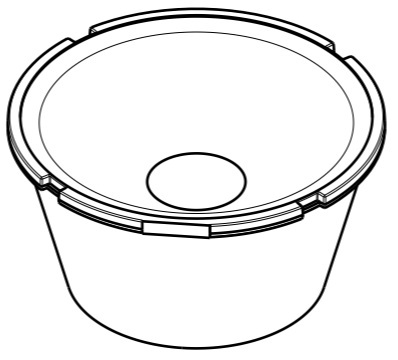
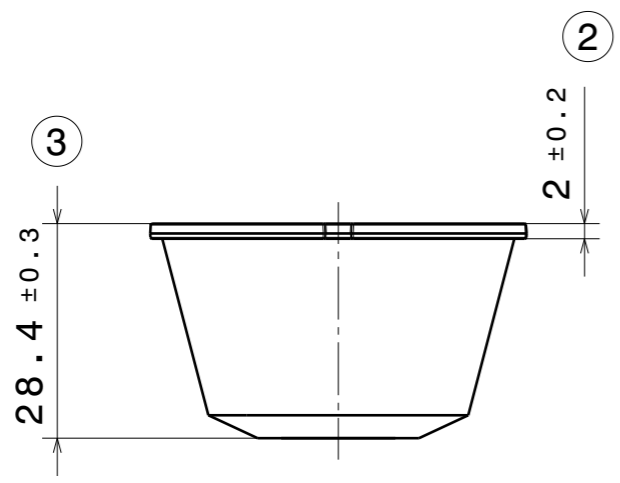
A3 SHEET 1/1

- Notes**
- PCB or heatsink level.
 - LED location
 - Ensure LED fitting from a product specific 3D model available from www.ledil.com
 - For more details about installation please see LEDiL Installation Guide on www.ledil.com

H G F E D C B A

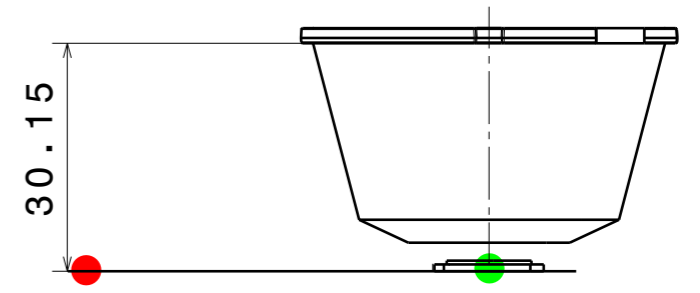
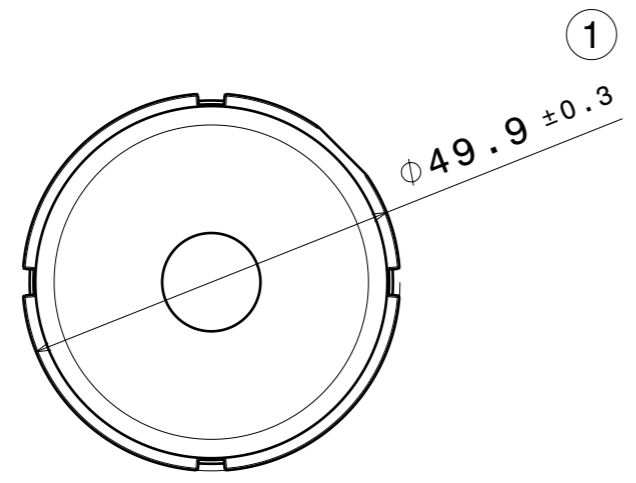
4

4



3

3



2

2

PART	TYPE	MATERIAL	COLOR / COATING
C17234_YASMEEN-50-S	LENS	PMMA	CLEAR

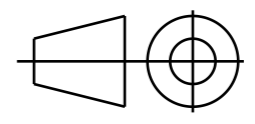
MECHANICAL DRAWING

PRODUCT **YASMEEN-50-S**

LEDiL

Plastic moulding general tolerances according to DIN 16901-130 and applies if not otherwise shown in the drawing. Silicone moulding general tolerances according to ISO 3302-1 Class M3 and applies if not otherwise shown in the drawing.

FIRST ANGLE PROJECTION:



This drawing is the property of LEDiL Oy. It may not be copied or otherwise distributed without prior written permission from LEDiL Oy.

SCALE	1:1	WEIGHT	-	A3	SHEET 1/1
-------	-----	--------	---	----	-----------

Notes

- PCB or heatsink level.
- LED location
- Ensure LED fitting from a product specific 3D model available from www.ledil.com
- For more details about installation please see LEDiL Installation Guide on www.ledil.com

H G F E D C B A

1

1