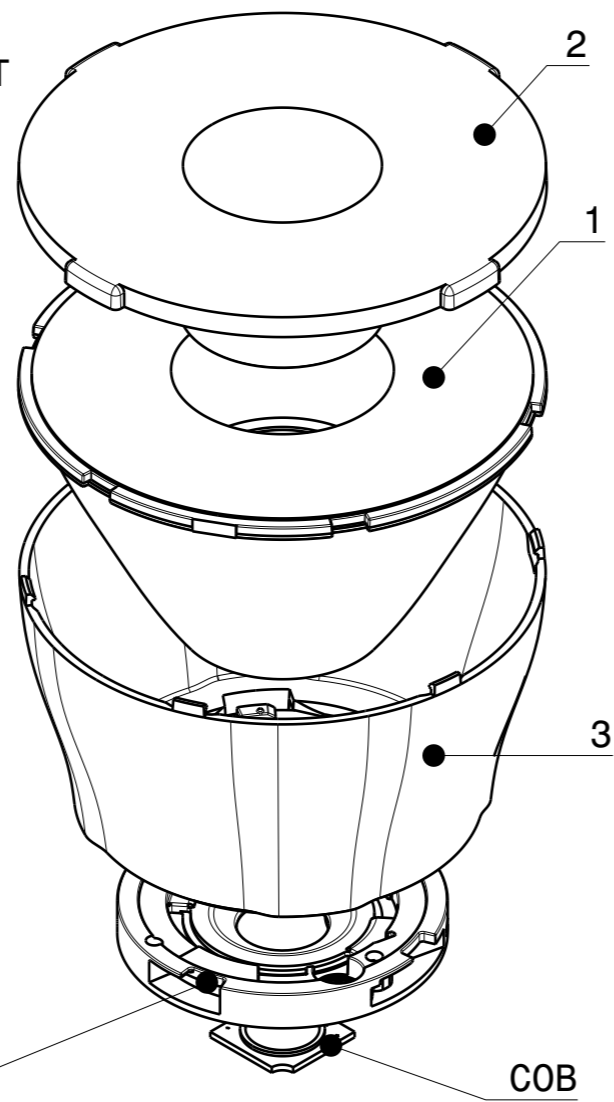
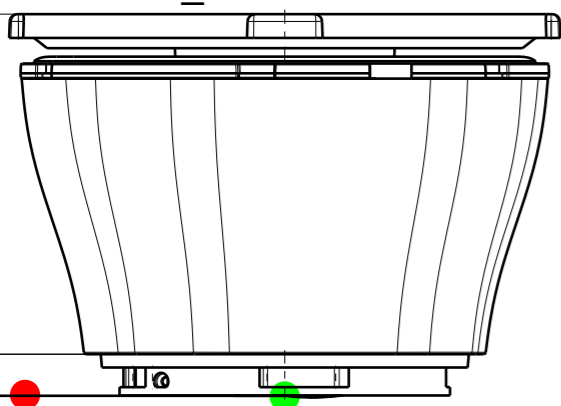


DATE  
19.06.2023

CP18765\_YASMEEN-70-ZOOM-C2  
CP18779\_YASMEEN-70-ZOOM-C2-WHT

44.97 ± 0.5  
5.5

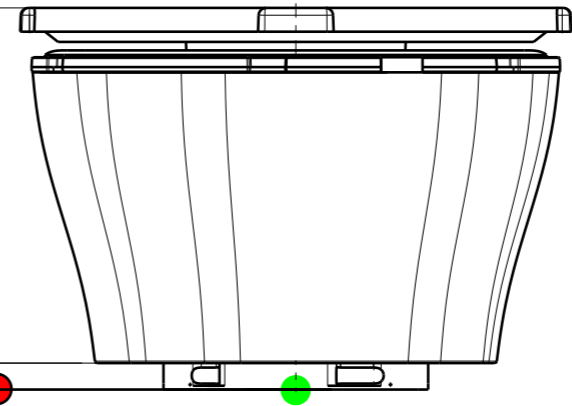


HEKLA  
Connector

COB

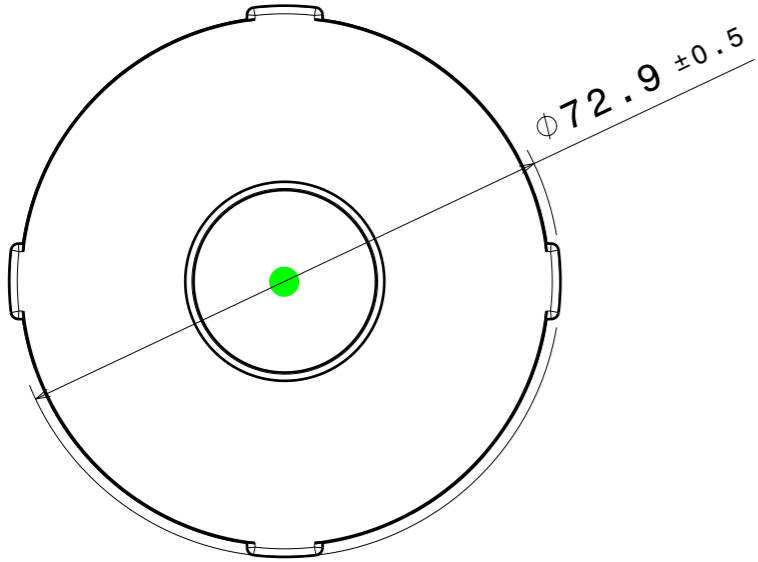
CP18772\_YASMEEN-70-ZOOM-B2  
CP18786\_YASMEEN-70-ZOOM-B2-WHT

46.97 ± 0.5  
3.5



Connector  
BJB / B+W 35mm-interface

COB



Top view  
Scale: 1:1

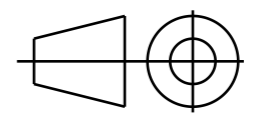
INDEX	PART	TYPE	QTY	MATERIAL	COLOUR/COATING	ASSEMBLY CODES
1	C17741_YASMEEN-70-ZOOM	LENS	1	PMMA	CLEAR	
2	C17736_YASMEEN-70-ZOOM-SUB	SUBLENS	1	PMMA	CLEAR	
3	HOLDER C	HOLDER	1			
	C18692_YASMEEN-70-HLD2-C			PC	BLACK	CP18765_YASMEEN-70-ZOOM-C2
	C18700_YASMEEN-70-HLD2-C-WHT			PC	WHITE	CP18779_YASMEEN-70-ZOOM-C2-WHT
4	HOLDER B					
	C18693_YASMEEN-70-HLD2-B			PC	BLACK	CP18772_YASMEEN-70-ZOOM-B2
	C18701_YASMEEN-70-HLD2-B-WHT			PC	WHITE	CP18786_YASMEEN-70-ZOOM-B2-WHT

**MECHANICAL DRAWING**

PRODUCT  
**YASMEEN-70-ZOOM**

Plastic moulding general tolerances according to DIN 16901-130 and applies if not otherwise shown in the drawing. Silicone moulding general tolerances according to ISO 3302-1 Class M3 and applies if not otherwise shown in the drawing.

FIRST ANGLE PROJECTION:



SCALE 1:1

WEIGHT -

**LEDiL**

This drawing is the property of LEDiL Oy. It may not be copied or otherwise distributed without prior written permission from LEDiL Oy.

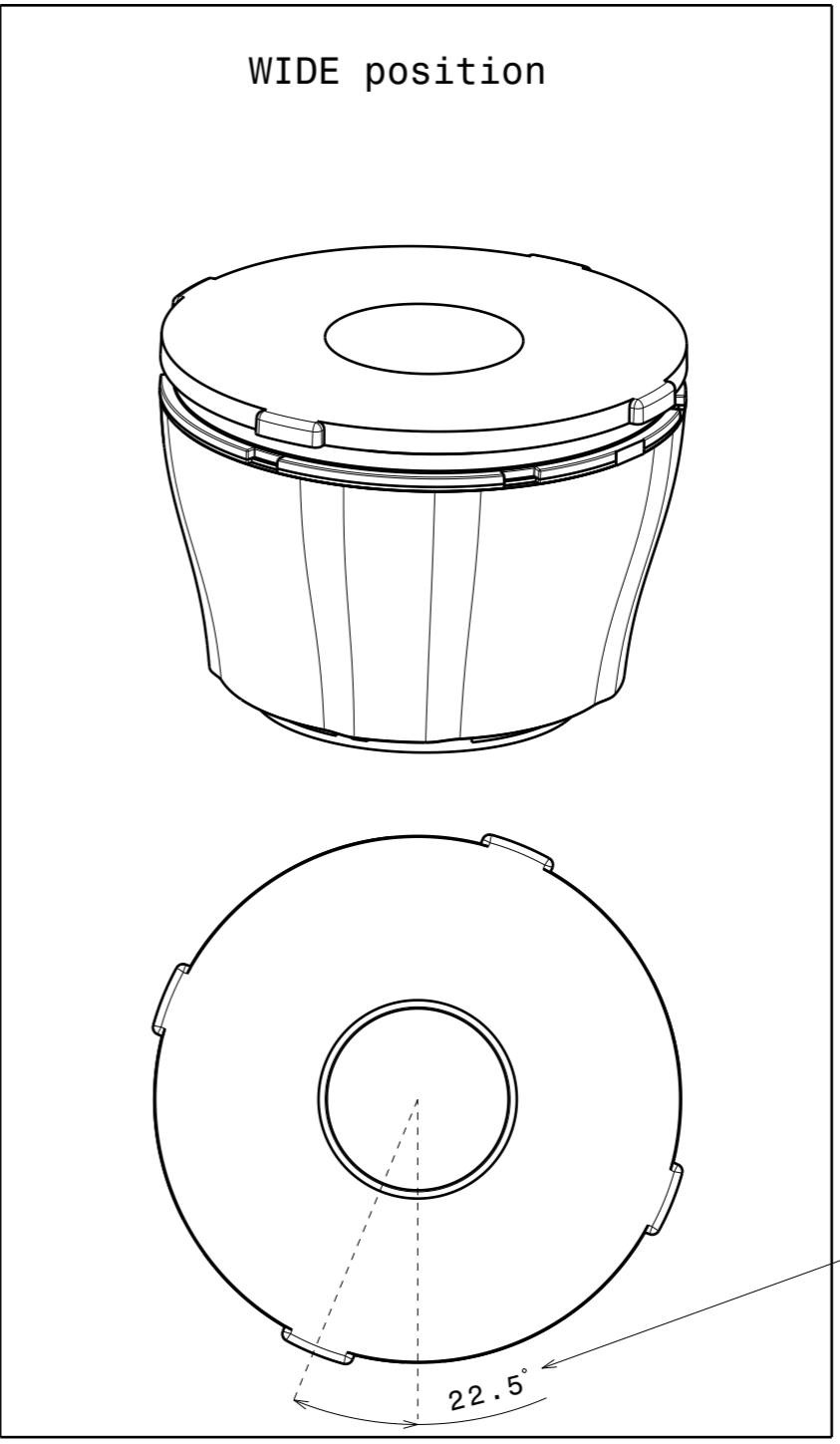
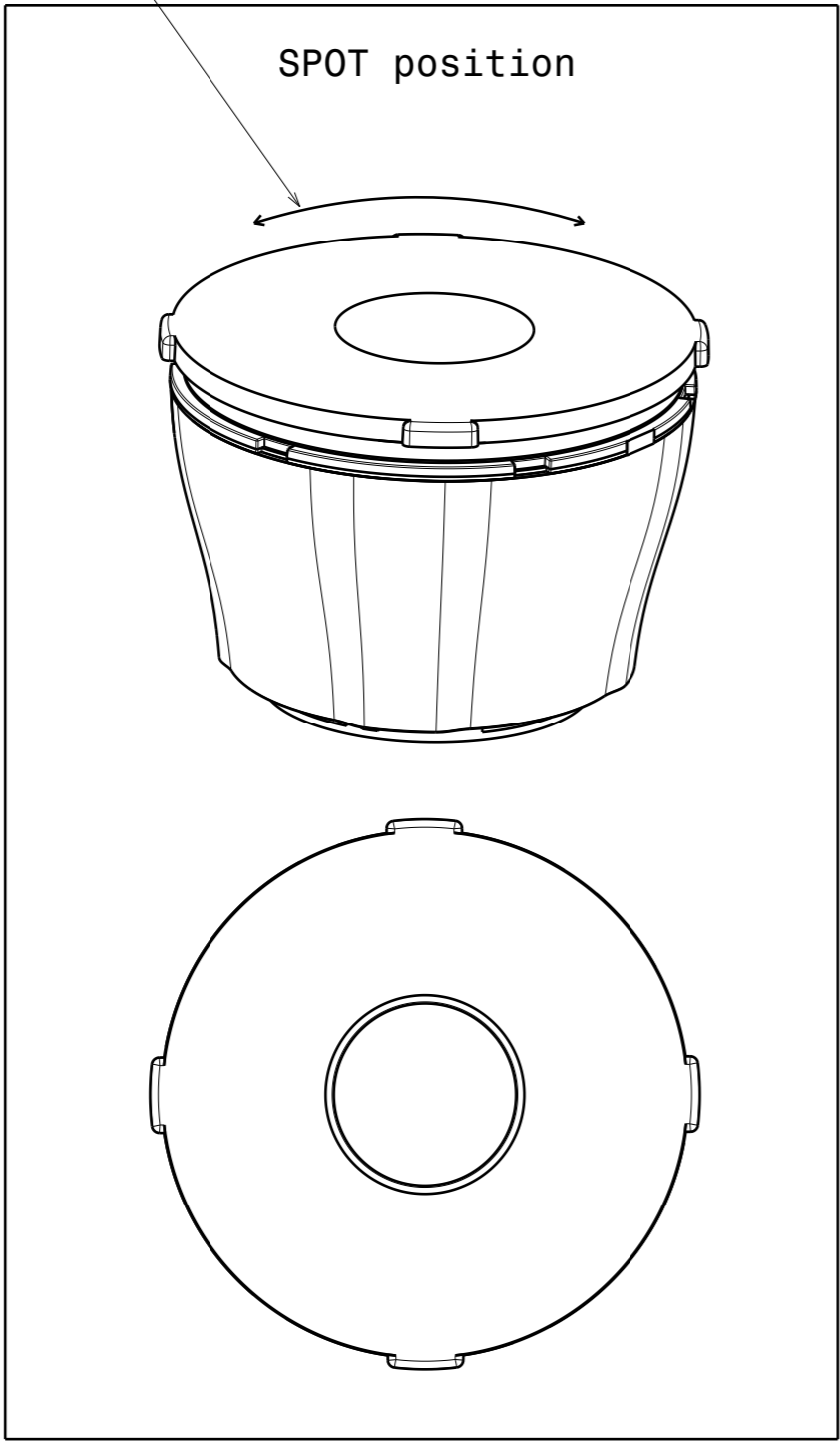
A3 SHEET 1/1

**Notes**

	PCB or heatsink level.
	LED location
	Ensure LED fitting from a product specific 3D model available from <a href="http://www.ledil.com">www.ledil.com</a>
	For more details about installation please see LEDiL Installation Guide on <a href="http://www.ledil.com">www.ledil.com</a>

Sublens rotate freely.  
Beam angle changing smoothly.  
Spot - Wide - Spot- Wide ....

BEAM ANGLE



Sub lens rotation angle between spot to wide beam angle

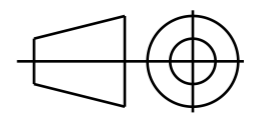
MECHANICAL DRAWING

PRODUCT YASMEEN-70-ZOOM

**LEDiL**

Plastic moulding general tolerances according to DIN 16901-130 and applies if not otherwise shown in the drawing.  
Silicone moulding general tolerances according to ISO 3302-1 Class M3 and applies if not otherwise shown in the drawing.

FIRST ANGLE PROJECTION:



This drawing is the property of LEDiL Oy. It may not be copied or otherwise distributed without prior written permission from LEDiL Oy.

SCALE 1:1

WEIGHT -

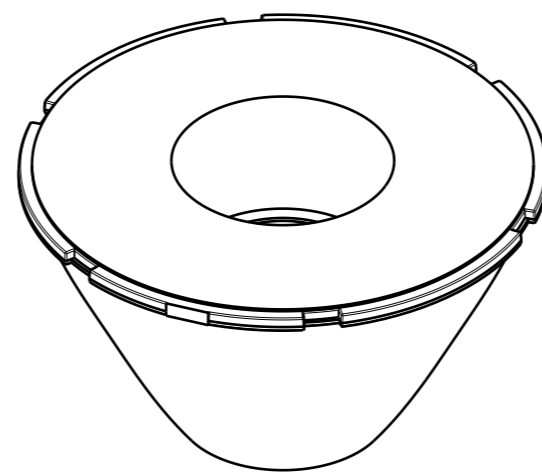
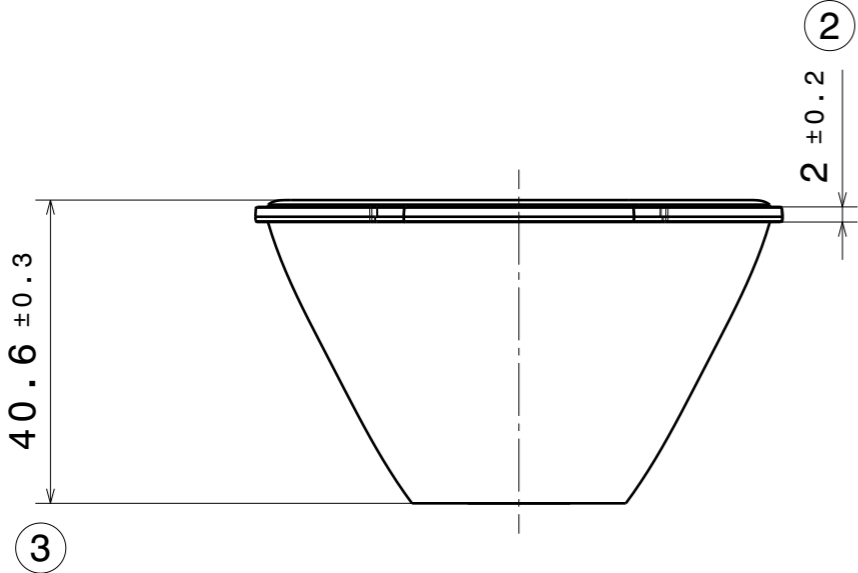
A3 SHEET 1/1

Notes

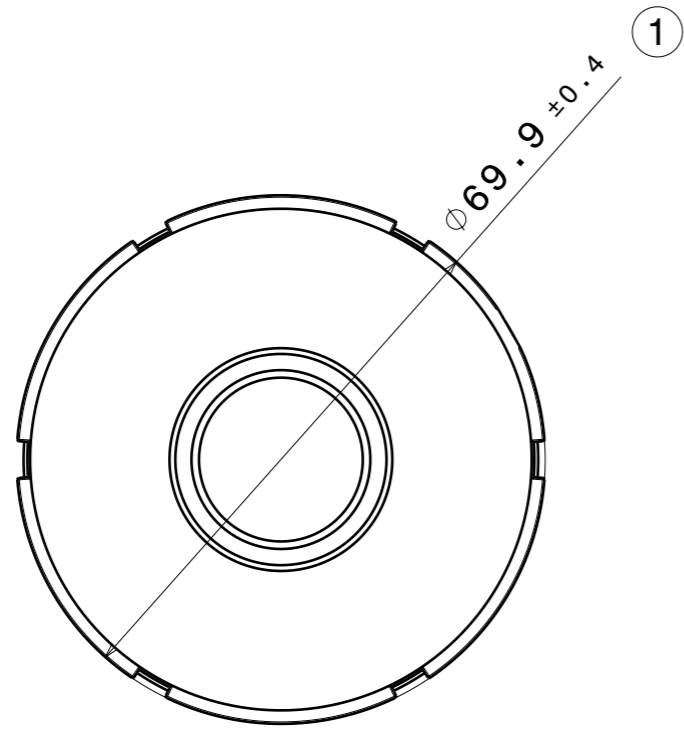
- PCB or heatsink level.
- LED location
- Ensure LED fitting from a product specific 3D model available from [www.ledil.com](http://www.ledil.com)
- For more details about installation please see LEDiL Installation Guide on [www.ledil.com](http://www.ledil.com)

H G F E D C B A

4



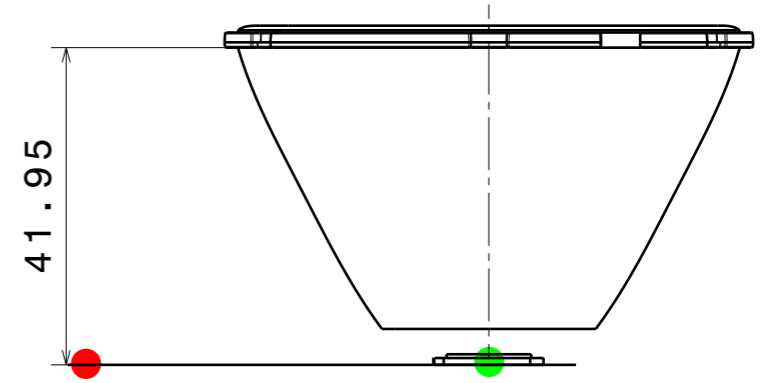
3



4

3



2



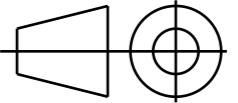
2

1

**Notes**

	PCB or heatsink level.
	LED location
	Ensure LED fitting from a product specific 3D model available from <a href="http://www.ledil.com">www.ledil.com</a>
	For more details about installation please see LEDiL Installation Guide on <a href="http://www.ledil.com">www.ledil.com</a>

PART	TYPE	MATERIAL	COLOR / COATING
C17741_YASMEEN-70-ZOOM	LENS	PMMA	CLEAR

<b>MECHANICAL DRAWING</b>		<b>LEDiL</b>
PRODUCT	YASMEEN-70-ZOOM	
Plastic moulding general tolerances according to DIN 16901-130 and applies if not otherwise shown in the drawing. Silicone moulding general tolerances according to ISO 3302-1 Class M3 and applies if not otherwise shown in the drawing.	FIRST ANGLE PROJECTION: 	This drawing is the property of LEDiL Oy. It may not be copied or otherwise distributed without prior written permission from LEDiL Oy.
SCALE	1:1	WEIGHT -
		A3 SHEET 1/1

H G B A

1

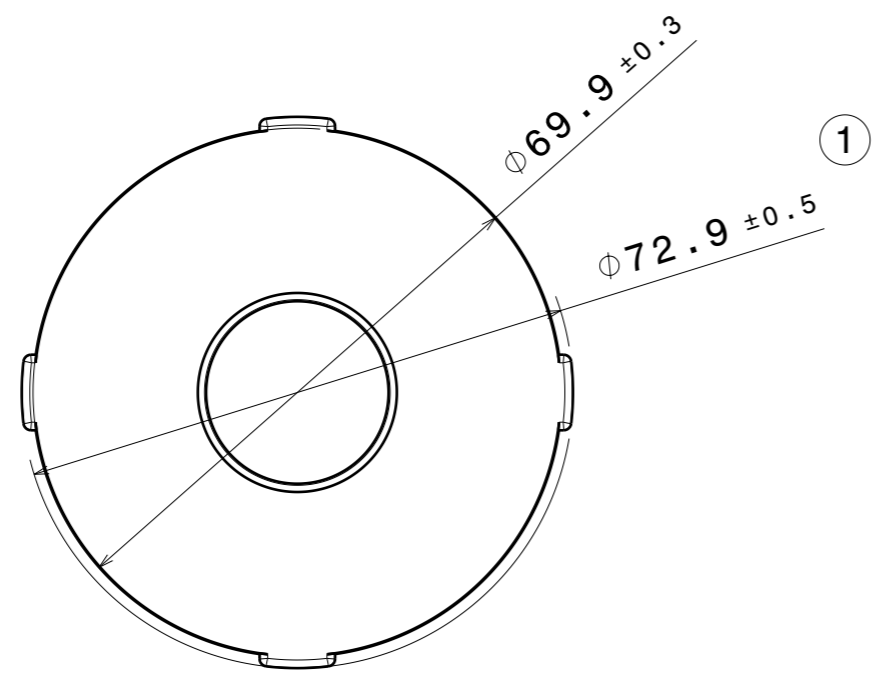
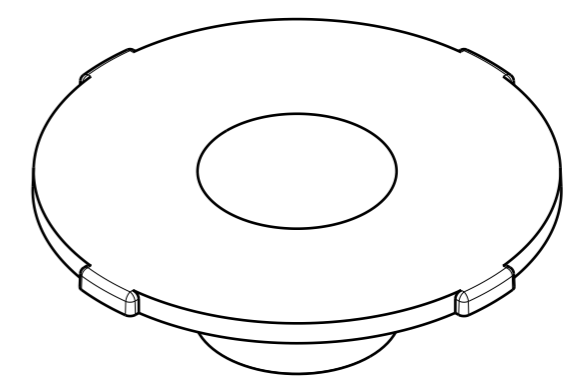
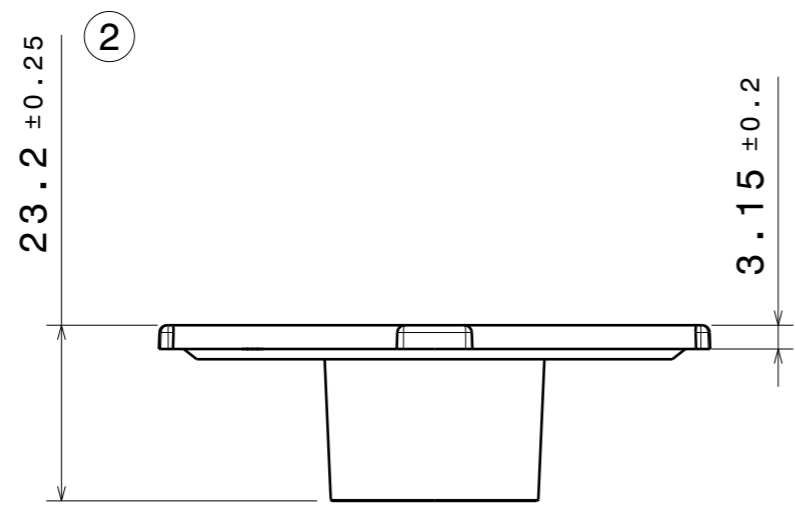
H G F E D C B A

4

3

2

1



PART	TYPE	QTY	MATERIAL	COLOUR/COATING
C17736_YASMEEN-70-ZOOM-SUB	SUBLENS	1	PMMA	CLEAR

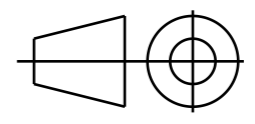
**MECHANICAL DRAWING**

PRODUCT **YASMEEN-70-ZOOM**

**LEDiL**

Plastic moulding general tolerances according to DIN 16901-130 and applies if not otherwise shown in the drawing. Silicone moulding general tolerances according to ISO 3302-1 Class M3 and applies if not otherwise shown in the drawing.

FIRST ANGLE PROJECTION:



This drawing is the property of LEDiL Oy. It may not be copied or otherwise distributed without prior written permission from LEDiL Oy.

SCALE	1:1	WEIGHT	-	A3	SHEET 1/1
-------	-----	--------	---	----	-----------

**Notes**

- PCB or heatsink level.
- LED location
- Ensure LED fitting from a product specific 3D model available from [www.ledil.com](http://www.ledil.com)
- For more details about installation please see LEDiL Installation Guide on [www.ledil.com](http://www.ledil.com)

H G F E D C B A

4

3

2

1