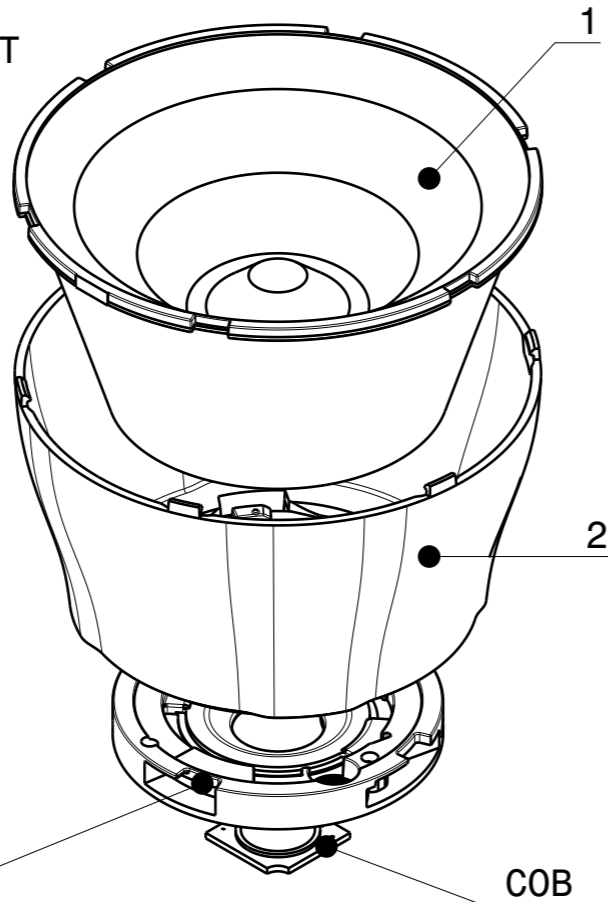
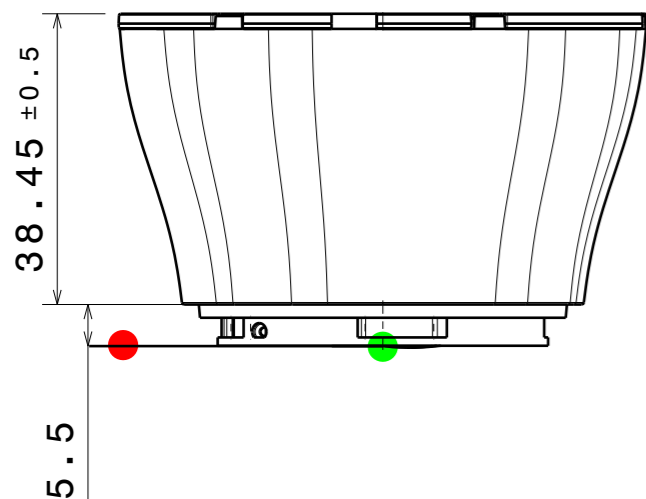


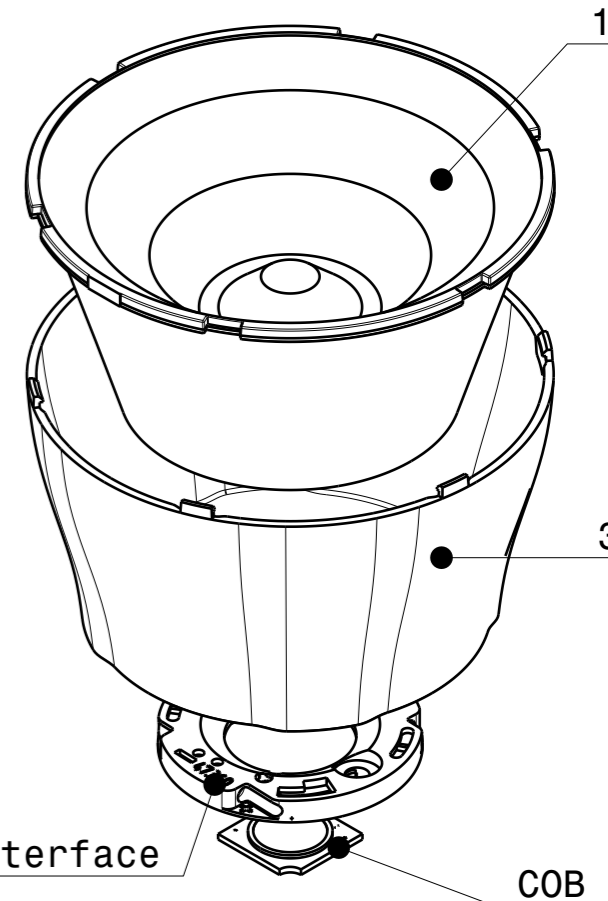
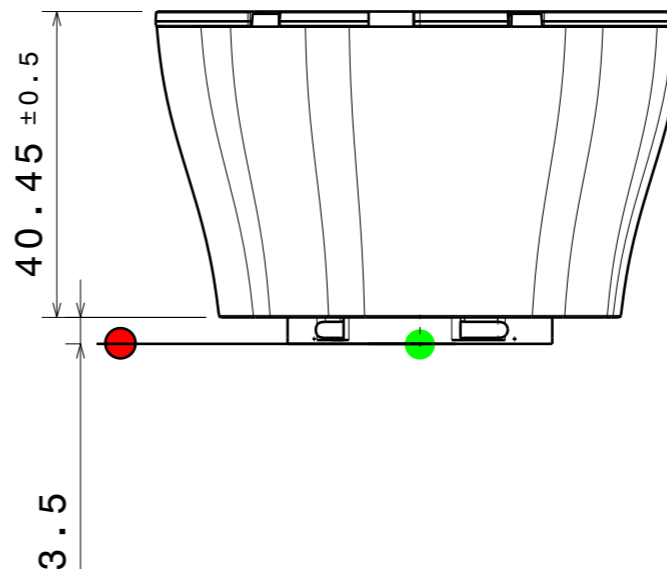
CP18762_YASMEEN-70-M-C2
 CP18776_YASMEEN-70-M-C2-WHT



HEKLA
 Connector

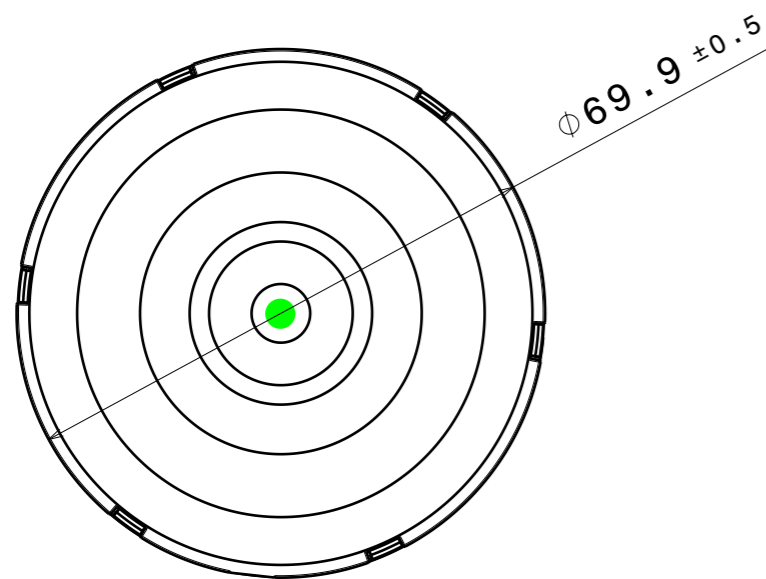
COB

CP18769_YASMEEN-70-M-B2
 CP18783_YASMEEN-70-M-B2-WHT



Connector
 BJB / B+W 35mm-interface

COB



Top view
 Scale: 1:1

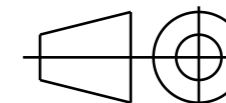
| INDEX | PART | TYPE | QTY | MATERIAL | COLOUR/COATING | ASSEMBLY CODES |
|-------|------------------------------|----------|-----|----------|----------------|-----------------------------|
| 1 | C17239_YASMEEN-70-M | LENS | 1 | PMMA | CLEAR | |
| 2 | HOLDER C | HOLDER 1 | | | | |
| | C18692_YASMEEN-70-HLD2-C | | | PC | BLACK | CP18762_YASMEEN-70-M-C2 |
| | C18700_YASMEEN-70-HLD2-C-WHT | | | PC | WHITE | CP18776_YASMEEN-70-M-C2-WHT |
| 3 | HOLDER B | | | | | |
| | C18693_YASMEEN-70-HLD2-B | | | PC | BLACK | CP18769_YASMEEN-70-M-B2 |
| | C18701_YASMEEN-70-HLD2-B-WHT | | | PC | WHITE | CP18783_YASMEEN-70-M-B2-WHT |

MECHANICAL DRAWING

PRODUCT
YASMEEN-70-M

Plastic moulding general tolerances according to DIN 16901-130 and applies if not otherwise shown in the drawing.
 Silicone moulding general tolerances according to ISO 3302-1 Class M3 and applies if not otherwise shown in the drawing.

FIRST ANGLE PROJECTION:



SCALE 1:1

WEIGHT -

LEDiL

This drawing is the property of LEDiL Oy. It may not be copied or otherwise distributed without prior written permission from LEDiL Oy.

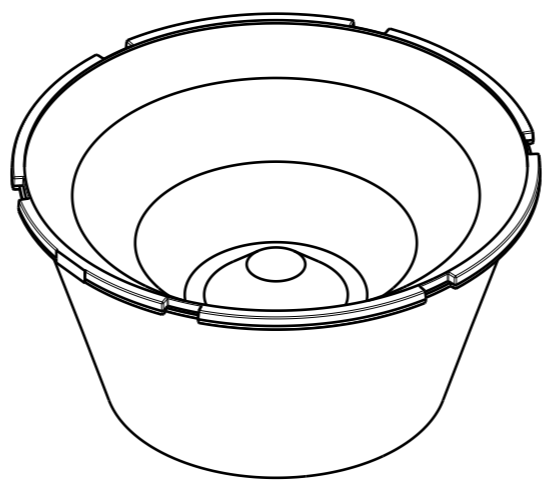
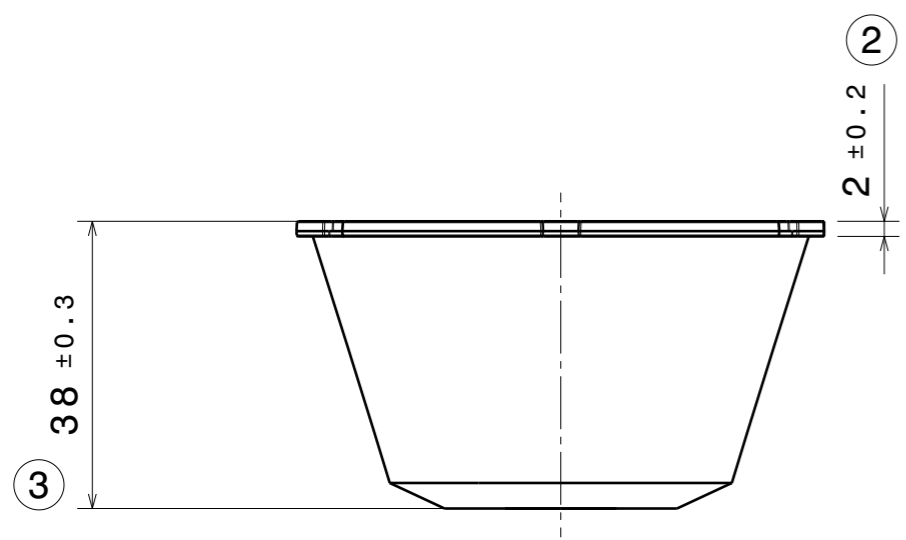
A3 SHEET 1/1

Notes

- PCB or heatsink level.
- LED location
- Ensure LED fitting from a product specific 3D model available from www.ledil.com
- For more details about installation please see LEDiL Installation Guide on www.ledil.com

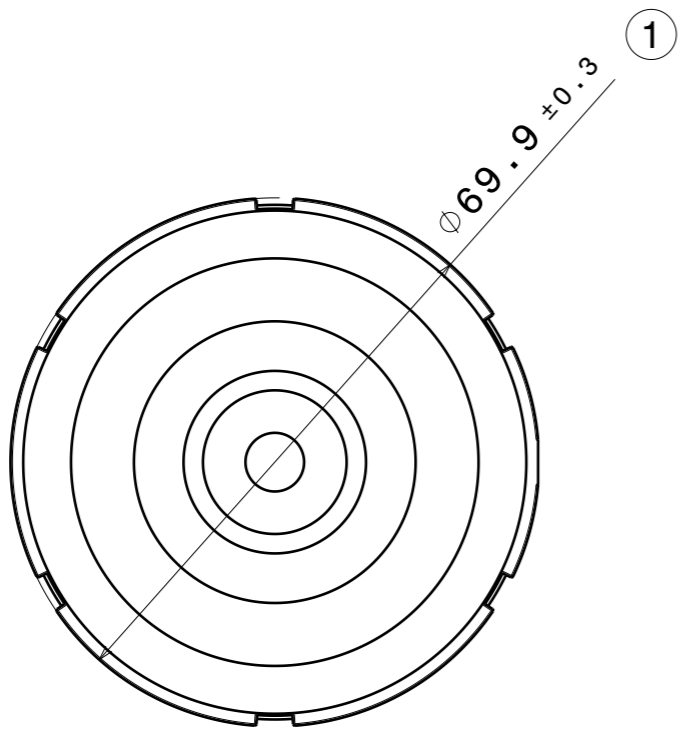
H G F E D C B A

4



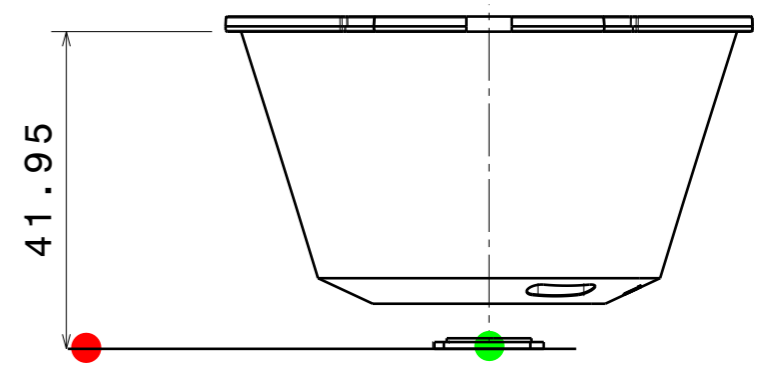
4

3



3

2



2

1

Notes

- PCB or heatsink level.
- LED location
- Ensure LED fitting from a product specific 3D model available from www.ledil.com
- For more details about installation please see LEDiL Installation Guide on www.ledil.com

| | | | |
|---------------------|------|----------|-----------------|
| PART | TYPE | MATERIAL | COLOR / COATING |
| C17239_YASMEEN-70-M | LENS | PMMA | CLEAR |

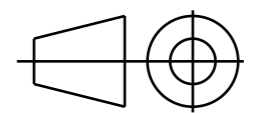
MECHANICAL DRAWING

PRODUCT **YASMEEN-70-M**



Plastic moulding general tolerances according to DIN 16901-130 and applies if not otherwise shown in the drawing.
Silicone moulding general tolerances according to ISO 3302-1 Class M3 and applies if not otherwise shown in the drawing.

FIRST ANGLE PROJECTION:



This drawing is the property of LEDiL Oy. It may not be copied or otherwise distributed without prior written permission from LEDiL Oy.

| | | | | | |
|-------|-----|--------|---|----|-----------|
| SCALE | 1:1 | WEIGHT | - | A3 | SHEET 1/1 |
|-------|-----|--------|---|----|-----------|

H G F E D C B A

1