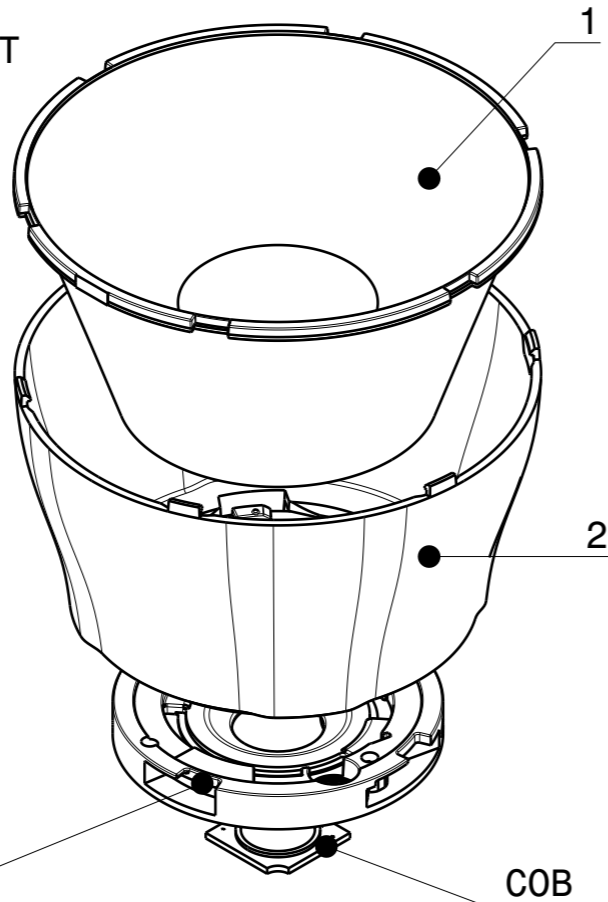
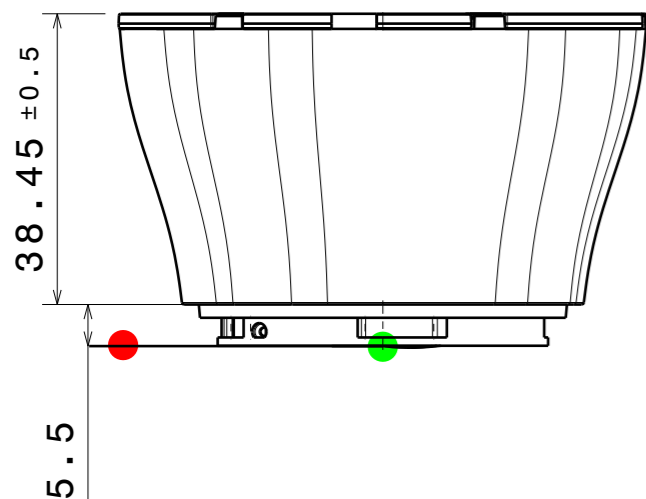


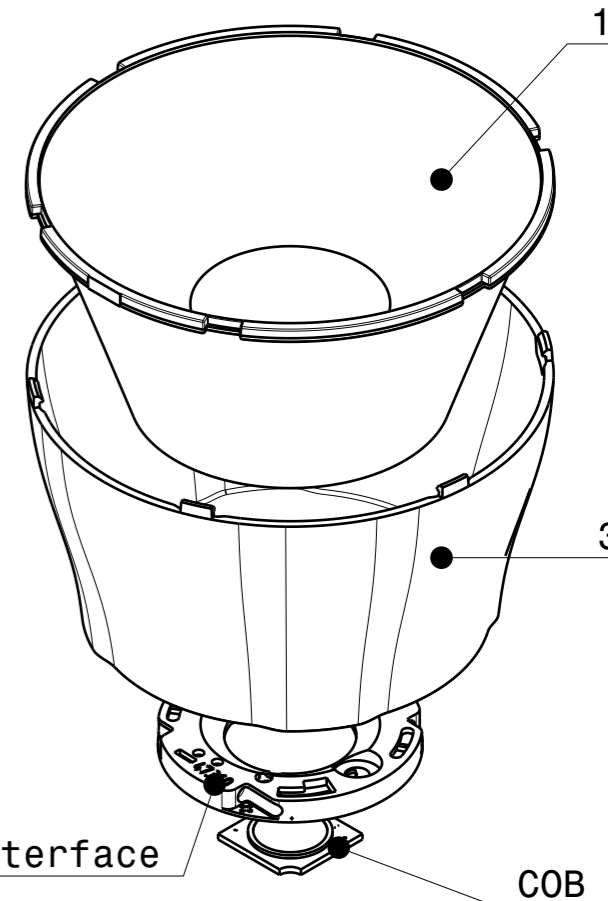
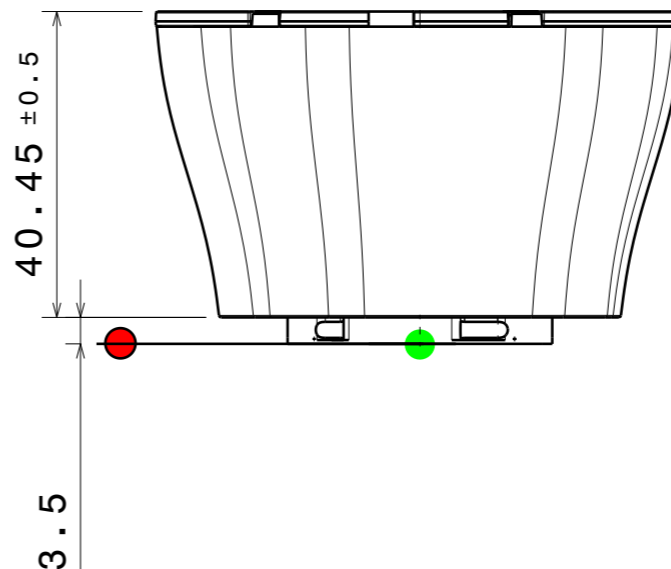
CP18751\_YASMEEN-70-S-C2  
 CP18775\_YASMEEN-70-S-C2-WHT



HEKLA  
 Connector

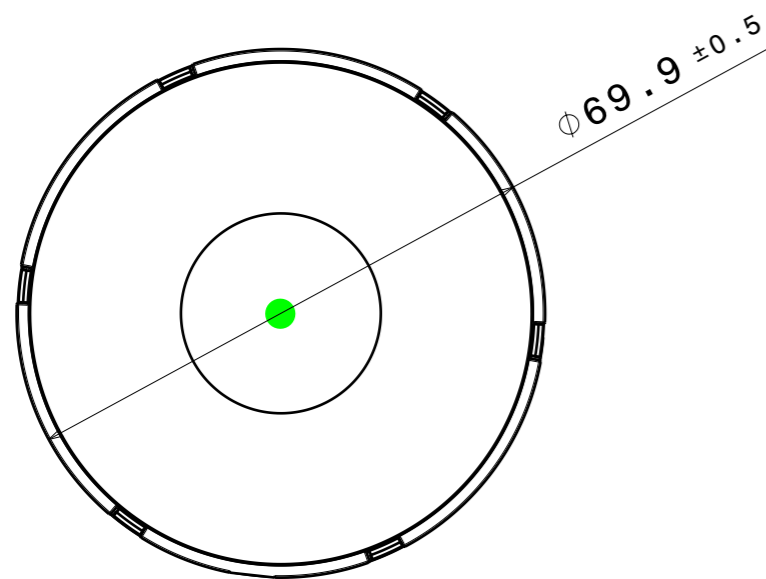
COB

CP18768\_YASMEEN-70-S-B2  
 CP18782\_YASMEEN-70-S-B2-WHT



Connector  
 BJB / B+W 35mm-interface

COB



Top view  
 Scale: 1:1

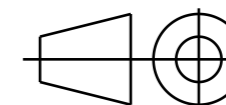
INDEX	PART	TYPE	QTY	MATERIAL	COLOUR/COATING	ASSEMBLY CODES
1	C17238_YASMEEN-70-S	LENS	1	PMMA	CLEAR	
2	HOLDER C	HOLDER 1				
	C18692_YASMEEN-70-HLD2-C			PC	BLACK	CP18751_YASMEEN-70-S-C2
	C18700_YASMEEN-70-HLD2-C-WHT			PC	WHITE	CP18775_YASMEEN-70-S-C2-WHT
3	HOLDER B					
	C18693_YASMEEN-70-HLD2-B			PC	BLACK	CP18768_YASMEEN-70-S-B2
	C18701_YASMEEN-70-HLD2-B-WHT			PC	WHITE	CP18782_YASMEEN-70-S-B2-WHT

**MECHANICAL DRAWING**

PRODUCT  
**YASMEEN-70-S**

Plastic moulding general tolerances according to DIN 16901-130 and applies if not otherwise shown in the drawing. Silicone moulding general tolerances according to ISO 3302-1 Class M3 and applies if not otherwise shown in the drawing.

FIRST ANGLE PROJECTION:



**LEDiL**

This drawing is the property of LEDiL Oy. It may not be copied or otherwise distributed without prior written permission from LEDiL Oy.

SCALE 1:1

WEIGHT -

A3 SHEET 1/1

**Notes**

- PCB or heatsink level.
- LED location
- Ensure LED fitting from a product specific 3D model available from [www.ledil.com](http://www.ledil.com)
- For more details about installation please see LEDiL Installation Guide on [www.ledil.com](http://www.ledil.com)

H G F E D C B A

4

3

2

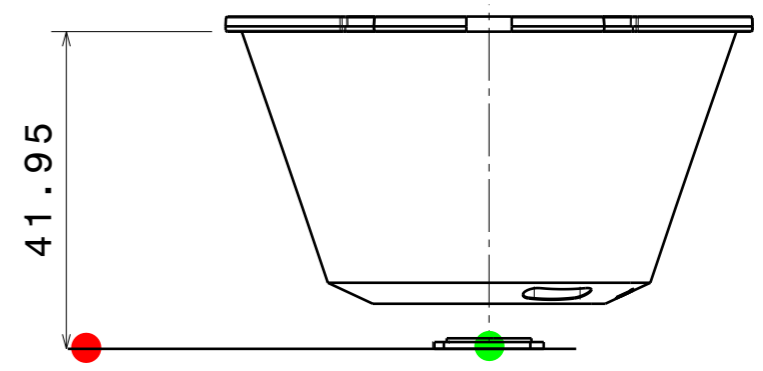
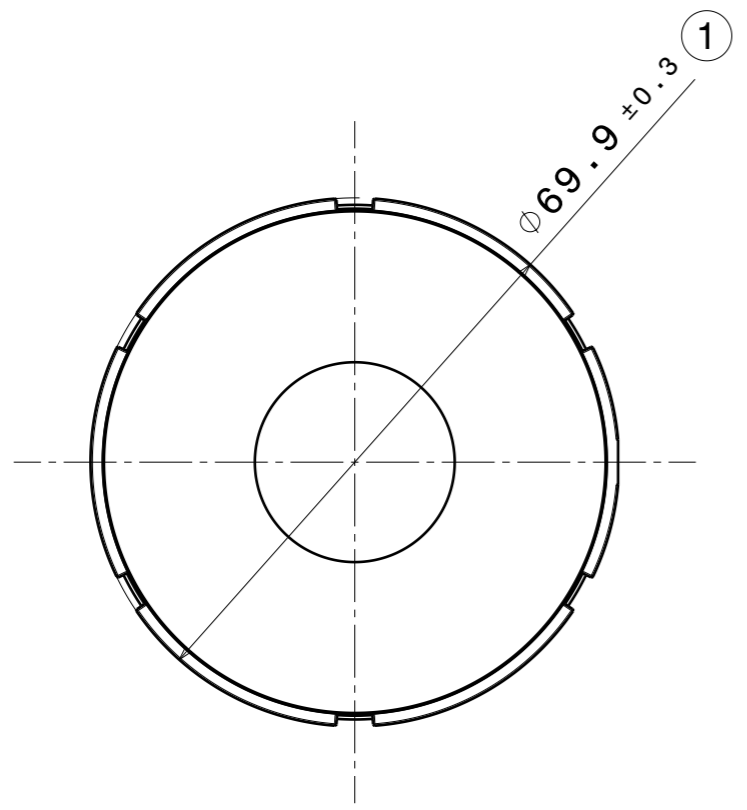
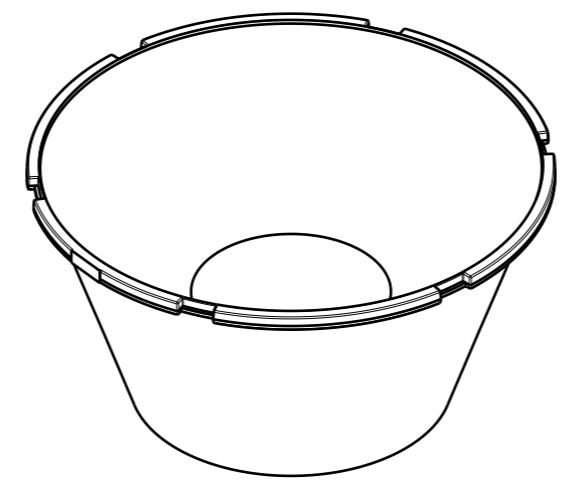
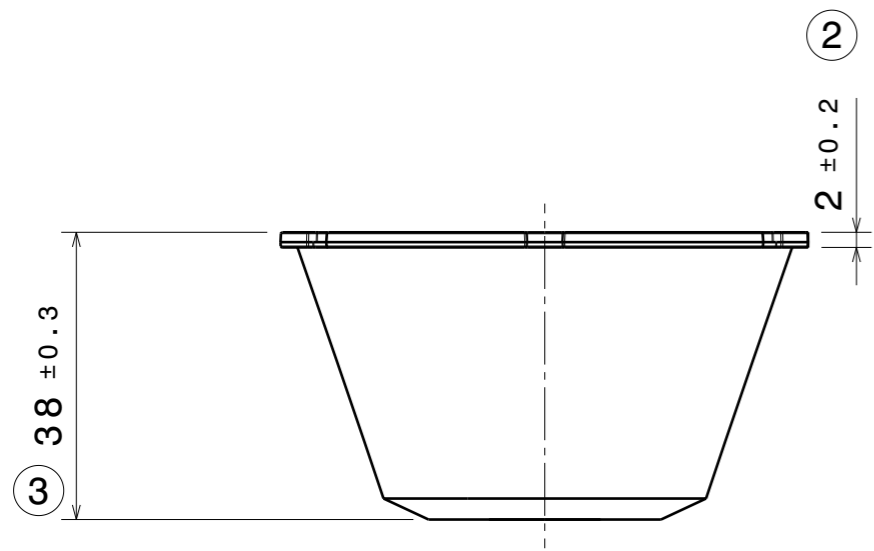
1

4

3

2

1



PART	TYPE	MATERIAL	COLOR / COATING
C17238_YASMEEN-70-S	LENS	PMMA	CLEAR

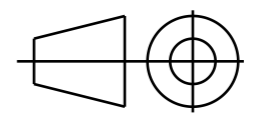
**MECHANICAL DRAWING**

PRODUCT **YASMEEN-70-S**

**LEDiL**

Plastic moulding general tolerances according to DIN 16901-130 and applies if not otherwise shown in the drawing.  
Silicone moulding general tolerances according to ISO 3302-1 Class M3 and applies if not otherwise shown in the drawing.

FIRST ANGLE PROJECTION:



This drawing is the property of LEDiL Oy. It may not be copied or otherwise distributed without prior written permission from LEDiL Oy.

SCALE	1:1	WEIGHT	-	A3	SHEET 1/1
-------	-----	--------	---	----	-----------

**Notes**

	PCB or heatsink level.
	LED location
	Ensure LED fitting from a product specific 3D model available from <a href="http://www.ledil.com">www.ledil.com</a>
	For more details about installation please see LEDiL Installation Guide on <a href="http://www.ledil.com">www.ledil.com</a>

H G F E D C B A