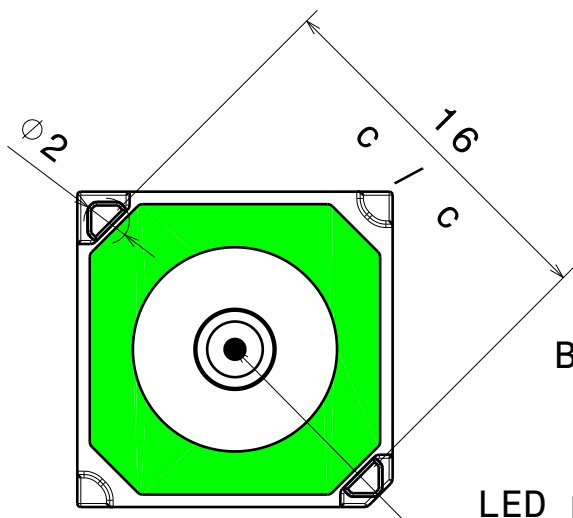


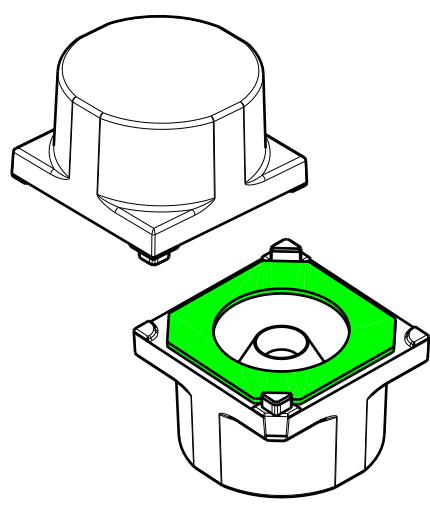
D C B A

4



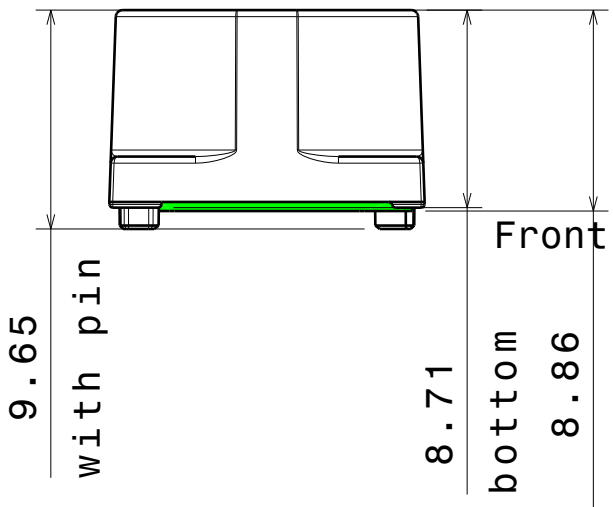
Bottom view

LED position



Isometric view  
Scale: 2:1

3



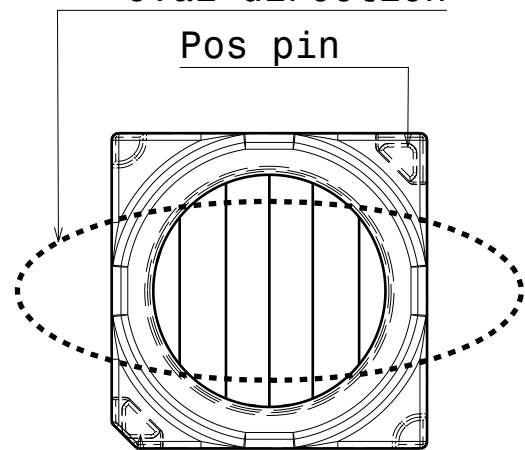
Front view

9.65  
with pin

8.71  
bottom  
8.86  
with tape

Oval direction

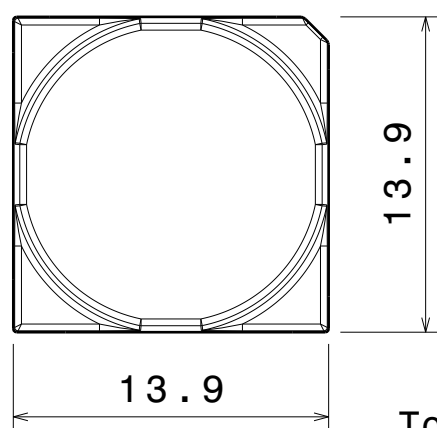
Pos pin



Pos pin

Oval version  
TOP VIEW

2



Top view

13.9

13.9

INDEX	DESCRIPTION
1	VERONICA-SQ-MINI-TAPE
2	VERONICA-SQ-MINI

Tolerances if not otherwise shown  
According to DIN ISO 2768-1  
Linear measures:  
up to 30mm class M, otherwise class C  
According to DIN ISO 2768-2  
Form and position: class L

**LEDiL** LediL Oy  
Joensuunkatu 13  
FIN 24100 SALO  
Finland

THIRD ANGLE PROJECTION:

DRAWING TITLE  
**VERONICA-SQ-MINI**

This drawing is the property of LEDiL Oy. It may not be reproduced, copied or communicated without a written agreement with LEDiL Oy.

SIZE PART NUMBER  
**A4** -

SCALE 3:1 WEIGHT SHEET 1/1

1

1

D A