

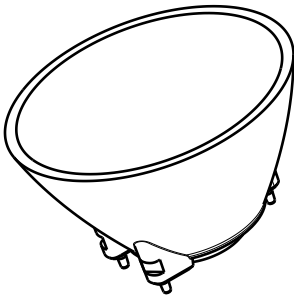
D

C

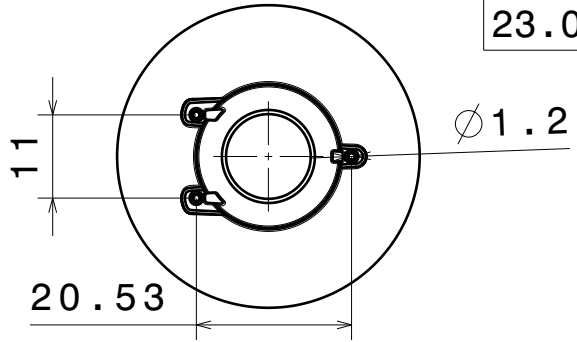
B

A

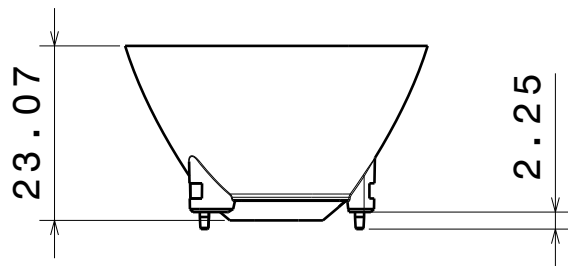
|            |
|------------|
| DATE       |
| 23.01.2019 |



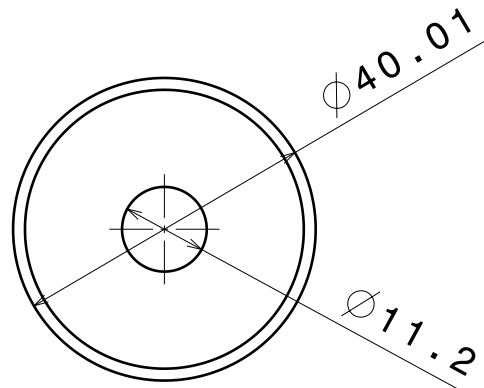
Isometric view  
Scale: 1:1



Bottom view  
Scale: 1:1



Front view  
Scale: 1:1



Top view  
Scale: 1:1

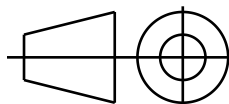
**MECHANICAL DRAWING**

PRODUCT  
**TYRA**

**LEDiL**®

Plastic moulding general tolerances according to DIN 16901-130 and applies if not otherwise shown in the drawing. Silicone moulding general tolerances according to ISO 3302-1 Class M3 and applies if not otherwise shown in the drawing.

FIRST ANGLE PROJECTION:



This drawing is the property of LEDiL Oy. It may not be copied or otherwise distributed without prior written permission from LEDiL Oy.

SCALE 1:1

WEIGHT -

A4 SHEET 1/1

D

A