

D

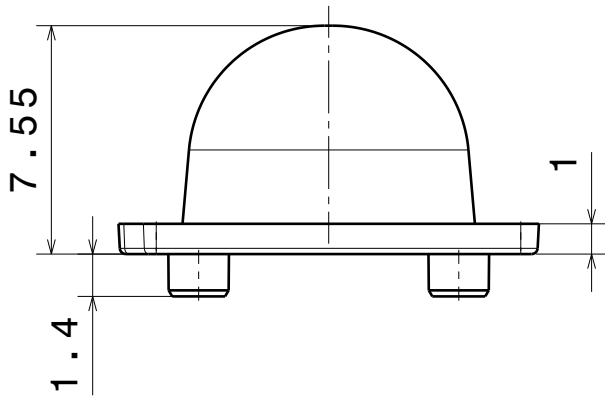
C

B

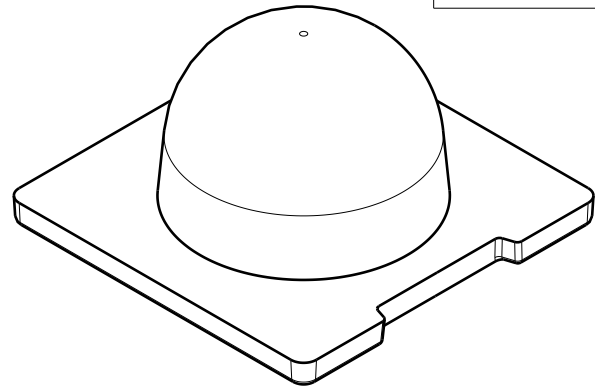
A

DATE

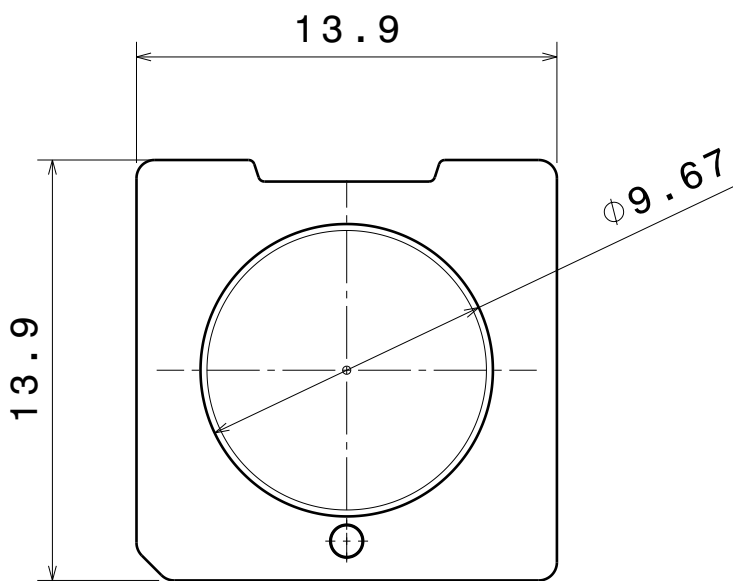
10.07.2019



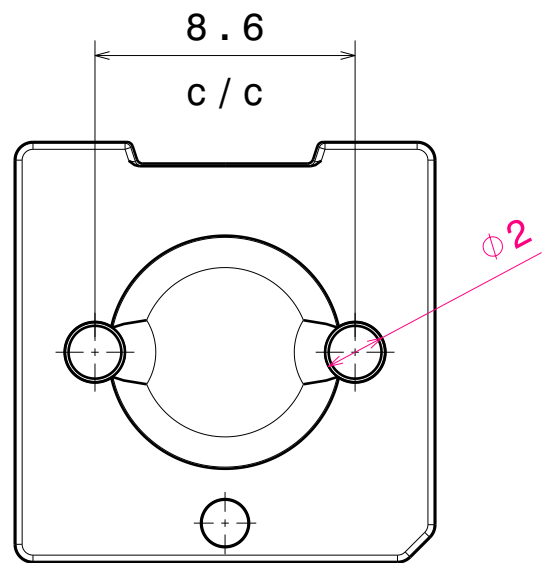
Front view



Isometric view



Top view



Bottom view

PART	TYPE	MATERIAL	COLOR / COATING
C17264_STRADELLA-HB-S-PC	LENS	PC	Clear

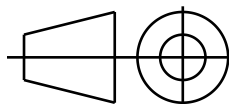
**MECHANICAL DRAWING**

PRODUCT

**STRADELLA****LEDiL**®

Plastic moulding general tolerances according to DIN 16901-130 and applies if not otherwise shown in the drawing.  
Silicone moulding general tolerances according to ISO 3302-1 Class M3 and applies if not otherwise shown in the drawing.

FIRST ANGLE PROJECTION:



This drawing is the property of LEDiL Oy. It may not be copied or otherwise distributed without prior written permission from LEDiL Oy.

SCALE 1:1

WEIGHT -

A4 SHEET 1/1

D

A