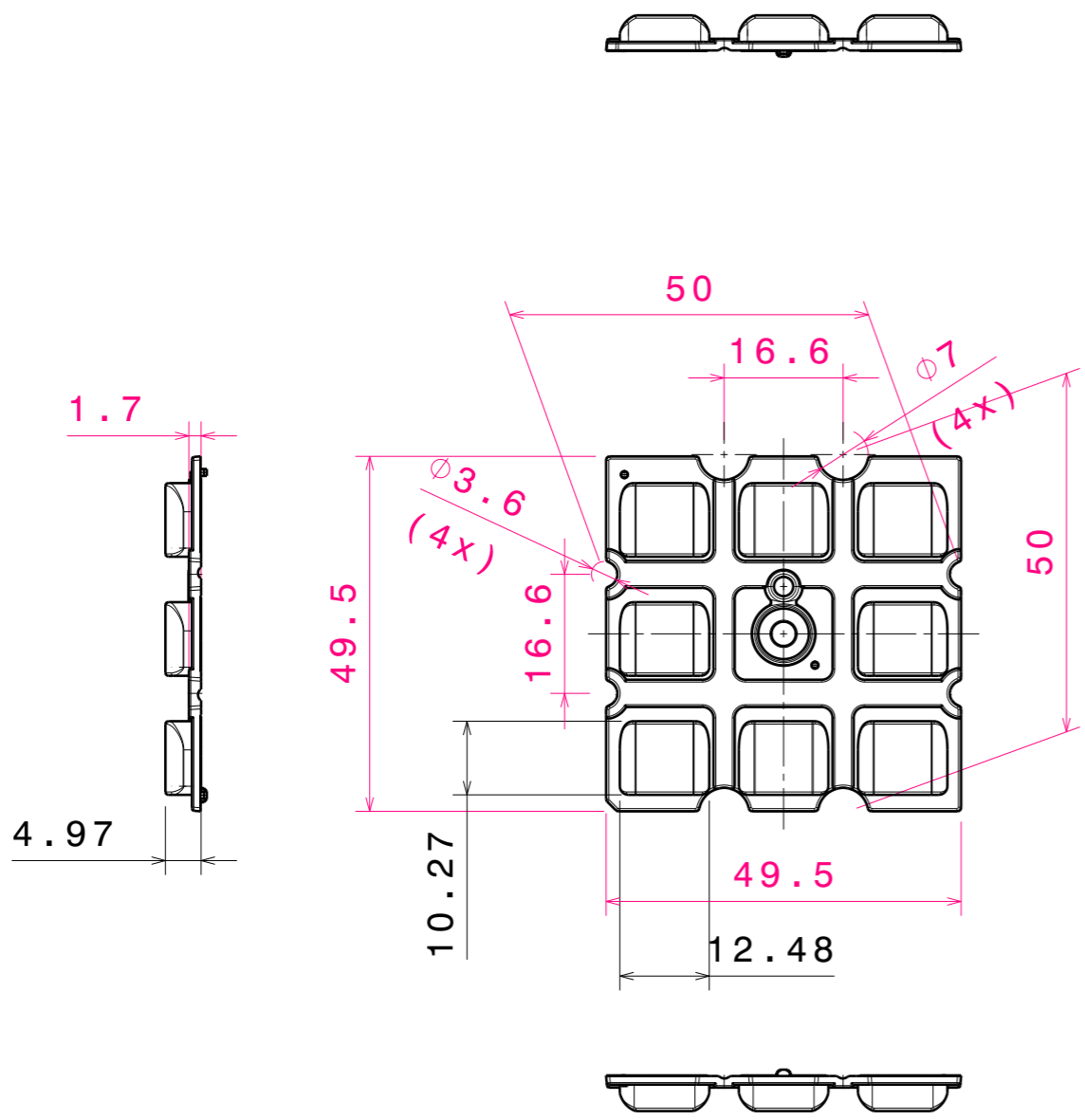


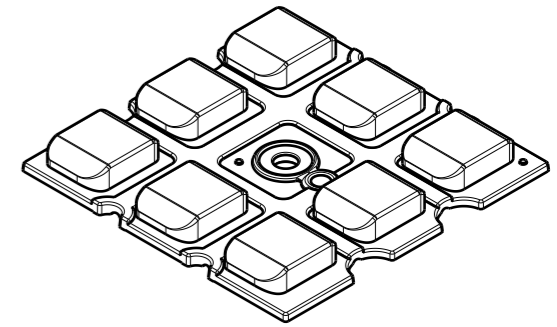
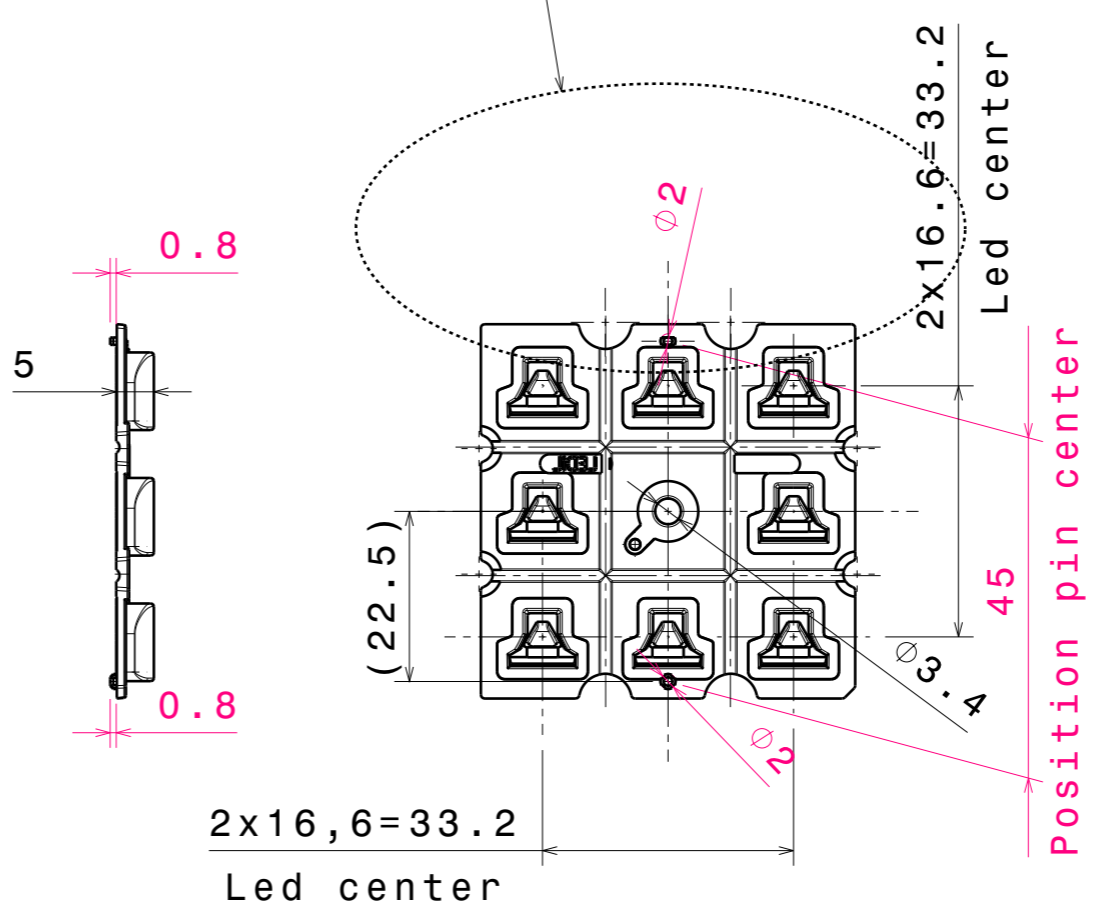
H G F E D C B A

4

4



Light direction



Recommended fixing screw torque 0,2Nm

| PART | TYPE | MATERIAL | COLOR / COATING |
|--------------------------|------|----------|-----------------|
| C16039_STRADELLA-8-T3-PC | LENS | PC | Clear |

| | |
|--------------------------------------------------------------------------------------------------------------------------------------------------------------------------------------------------------------------------------------------|-----------------------------|
| MECHANICAL DRAWING | |
| PRODUCT | STRADELLA |
| Plastic moulding general tolerances according to DIN 16901-130 and applies if not otherwise shown in the drawing. Silicone moulding general tolerances according to ISO 3302-1 Class M3 and applies if not otherwise shown in the drawing. | FIRST ANGLE PROJECTION: |
| SCALE 1:1 | WEIGHT - |

LEDiL®

This drawing is the property of LEDiL Oy. It may not be copied or otherwise distributed without prior written permission from LEDiL Oy.

A3 SHEET 1/1

Notes

| | |
|--|-----------------------------------------------------------------------------------------------------------------------------|
| | PCB or heatsink level. |
| | LED location |
| | Ensure LED fitting from a product specific 3D model available from www.ledil.com |
| | For more details about installation please see LEDiL Installation Guide on www.ledil.com |

H G F E D C B A

1

1