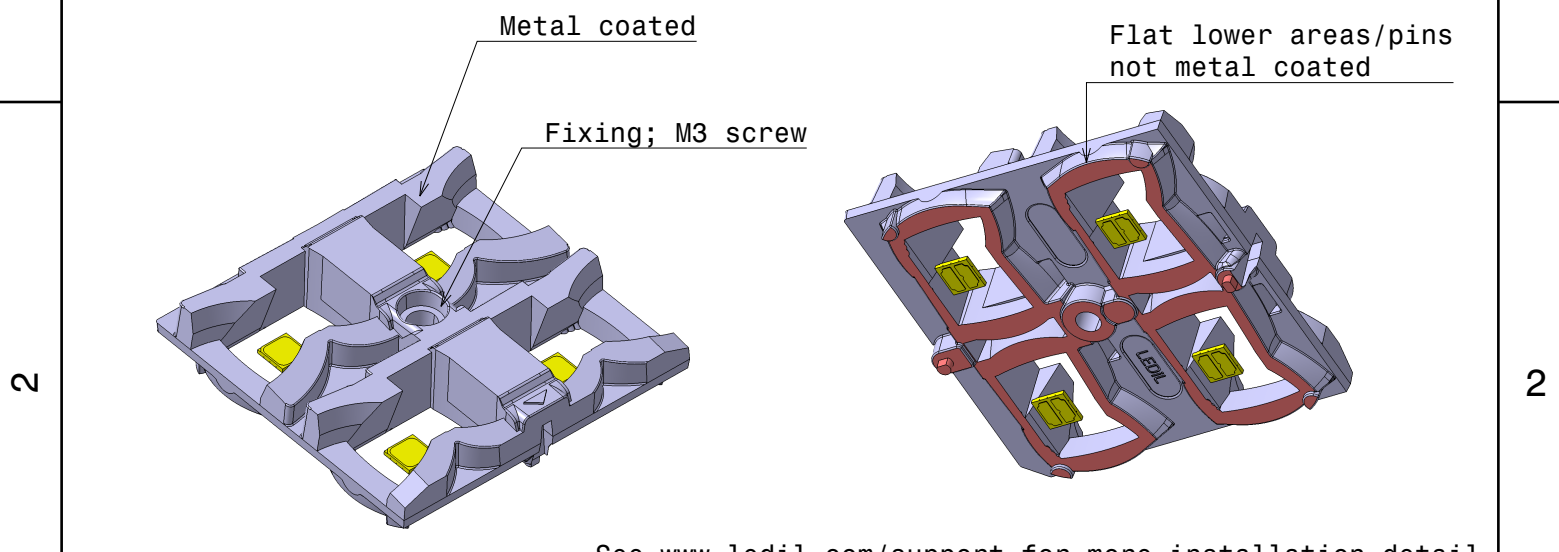
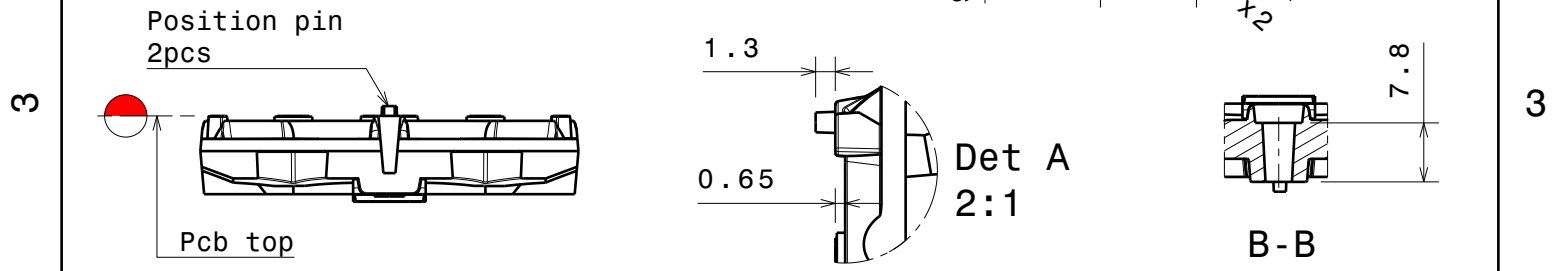
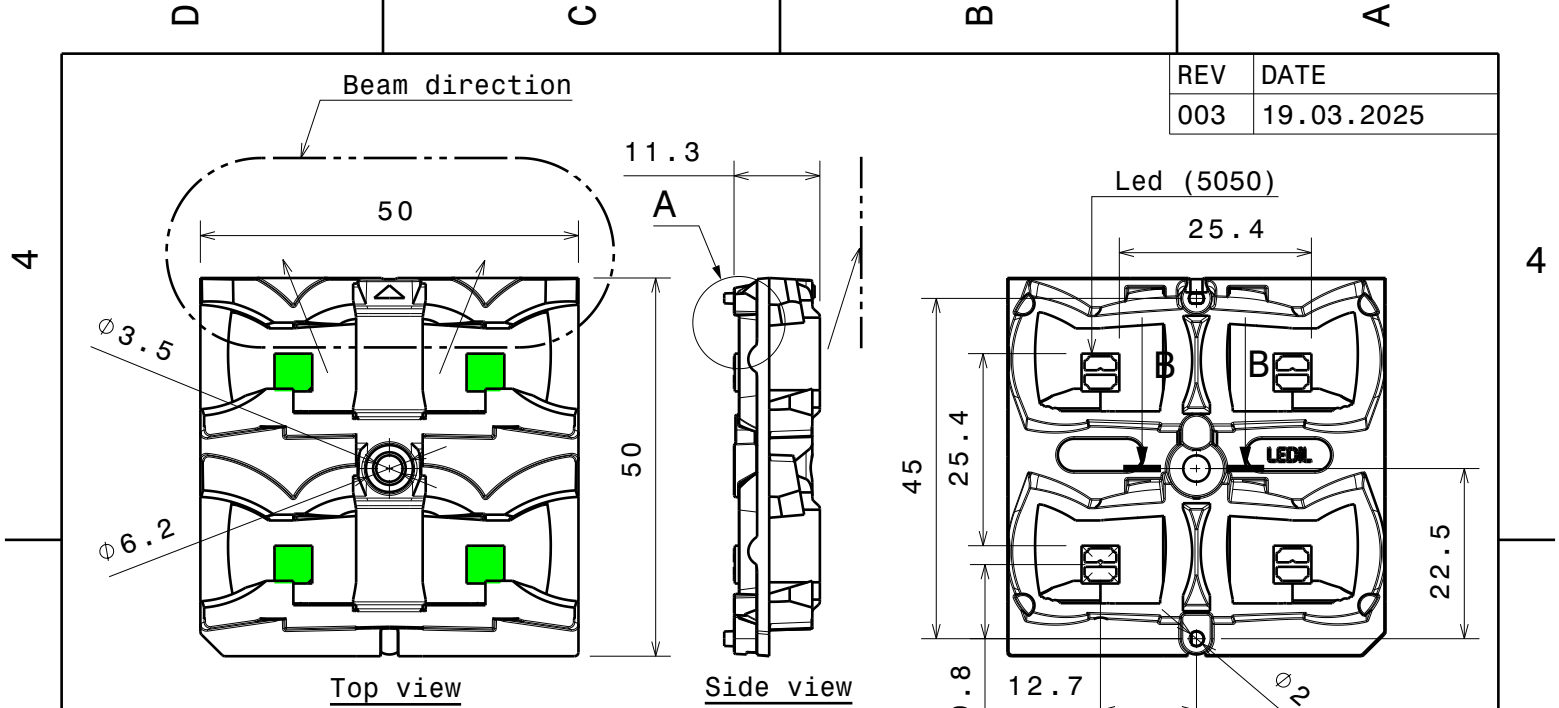


REV	DATE
003	19.03.2025



See www.ledil.com/support for more installation detail

PART	TYPE	MATERIAL	COLOR / COATING
C19761_STRADA-2x2-5050-T2-R_007_Mechmodel_003	Reflector	PC	Metal

MECHANICAL DRAWING		LEDiL
PRODUCT Strada		
Plastic moulding general tolerances according to DIN 16901-130 and applies if not otherwise shown in the drawing. Silicone moulding general tolerances according to ISO 3302-1 Class M3 and applies if not otherwise shown in the drawing.	FIRST ANGLE PROJECTION: 	This drawing is the property of LEDiL Oy. It may not be copied or otherwise distributed without prior written permission from LEDiL Oy.
SCALE 1:1	WEIGHT -	A4 SHEET 1/1

