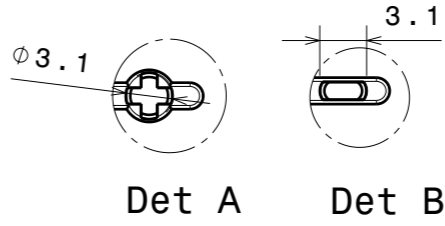
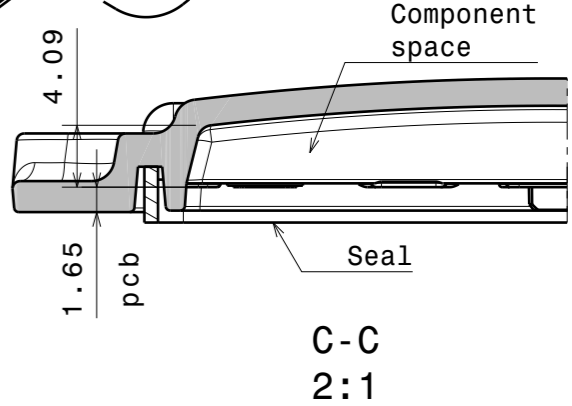
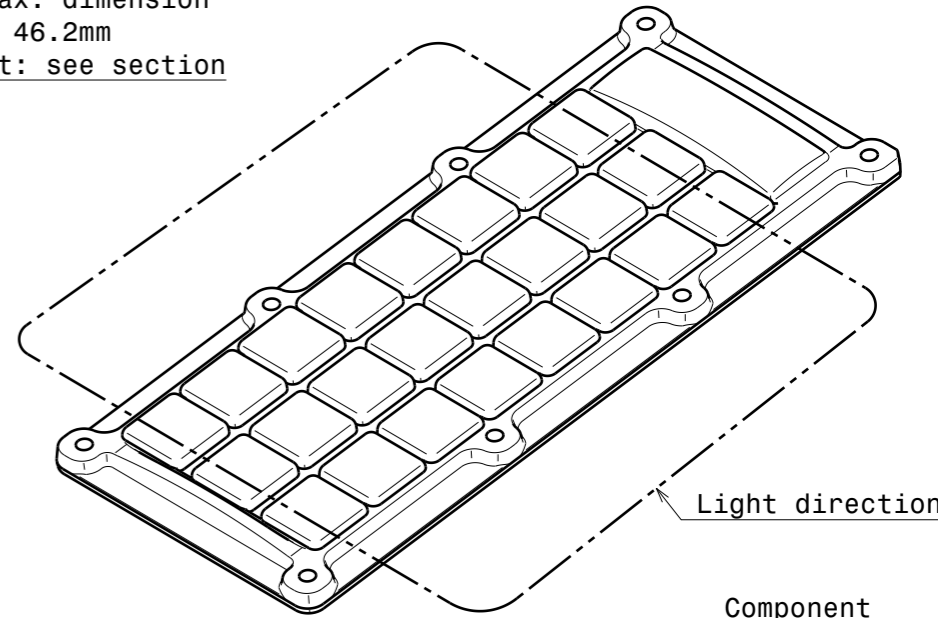


PCB max. dimension
147 x 46.2mm
Height: see section



PART	TYPE	MATERIAL	COLOR / COATING
STRADA-IP-24-SEAL	Seal	Silicone	Translucent
STRADA-IP-24-VSM-PC	Lens	PC	Clear
CS17761_STRADA-IP-24-VSM-PC	Assembly		

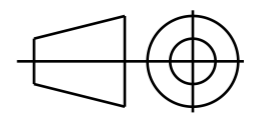
MECHANICAL DRAWING

PRODUCT
Strada

LEDiL®

Plastic moulding general tolerances according to DIN 16901-130 and applies if not otherwise shown in the drawing. Silicone moulding general tolerances according to ISO 3302-1 Class M3 and applies if not otherwise shown in the drawing.

FIRST ANGLE PROJECTION:

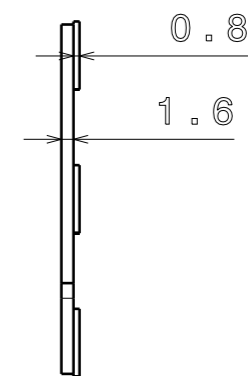
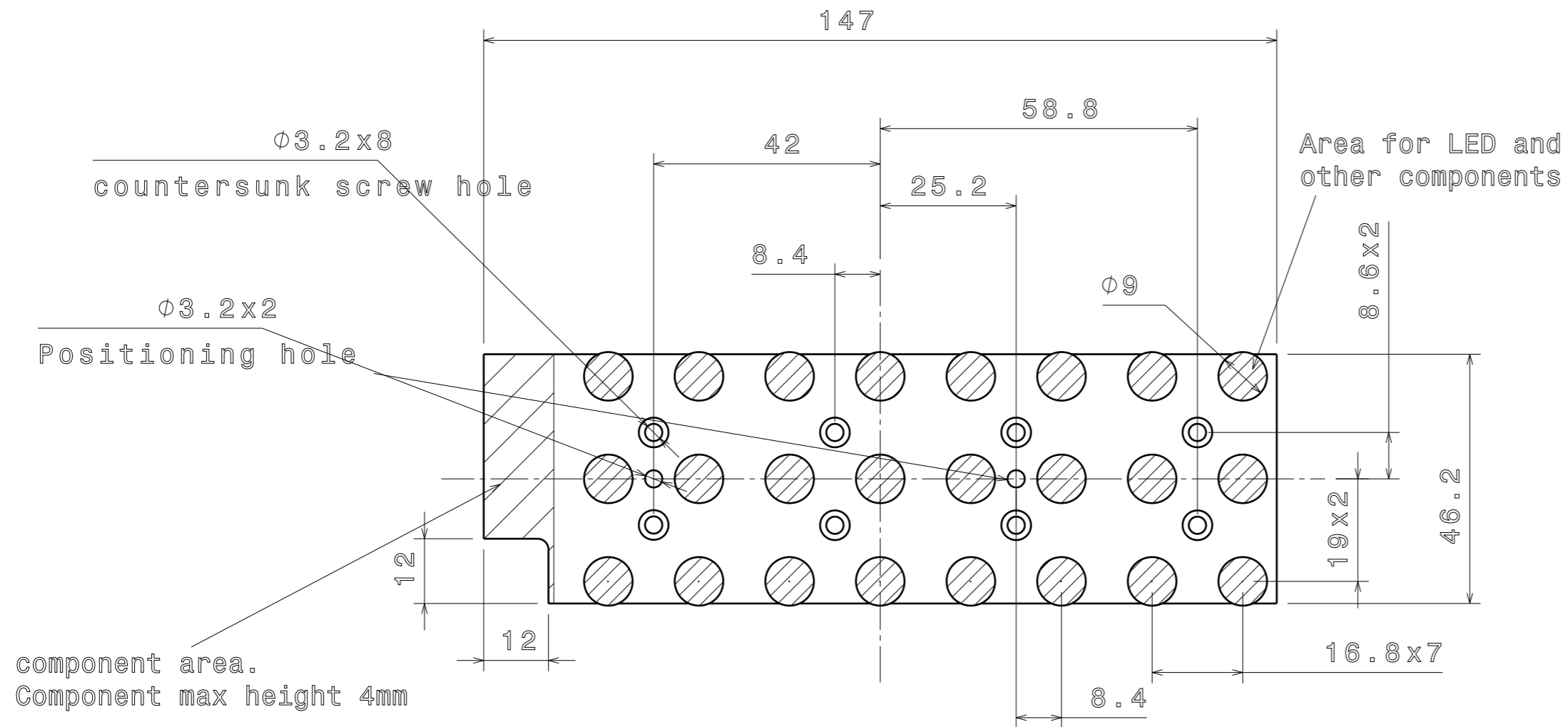


This drawing is the property of LEDiL Oy. It may not be copied or otherwise distributed without prior written permission from LEDiL Oy.

SCALE	1:1	WEIGHT	52,2g	A3	SHEET 1/2
-------	-----	--------	-------	----	-----------

Notes

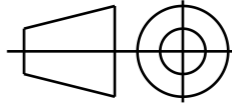
- Heatsink level.
- LED location
- Circuit board layout drawing available
- Ensure LED fitting from a product specific 3D model available from www.ledil.com
- For more details about installation please see LEDiL Installation Guide on www.ledil.com



It is recommended to rotate LED from position to position.



PART	TYPE	MATERIAL	COLOR / COATING
pcb	Layout	-	-

MECHANICAL DRAWING		LEDiL [®]
PRODUCT	Strada-IP-24	
Plastic moulding general tolerances according to DIN 16901-130 and applies if not otherwise shown in the drawing. Silicone moulding general tolerances according to ISO 3302-1 Class M3 and applies if not otherwise shown in the drawing.	FIRST ANGLE PROJECTION: 	This drawing is the property of LEDiL Oy. It may not be copied or otherwise distributed without prior written permission from LEDiL Oy.
SCALE	1:1	WEIGHT - A3 SHEET 2/2