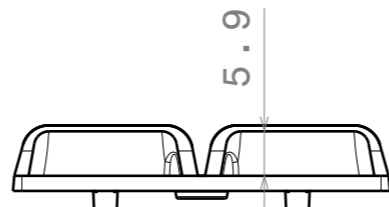
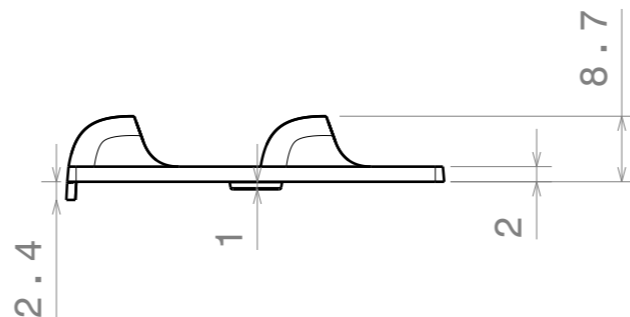
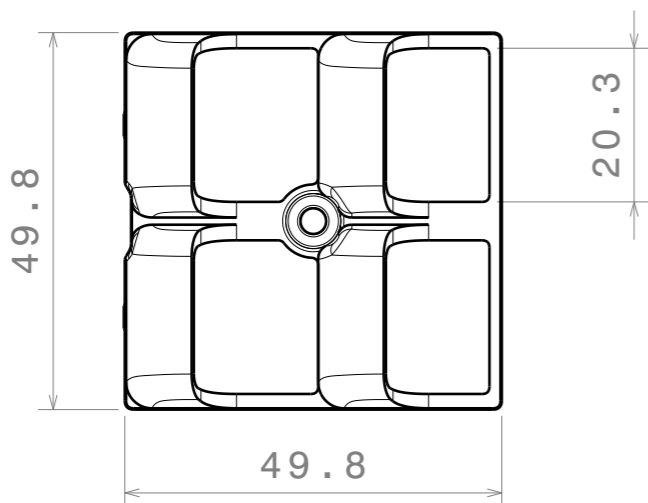


∅ 3.4



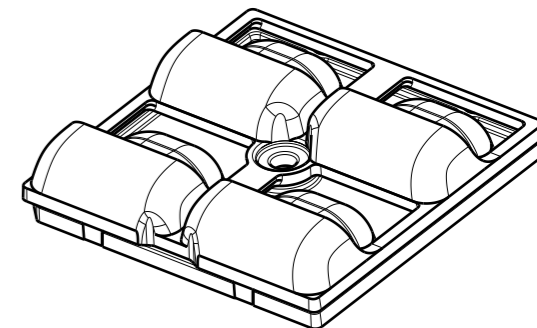
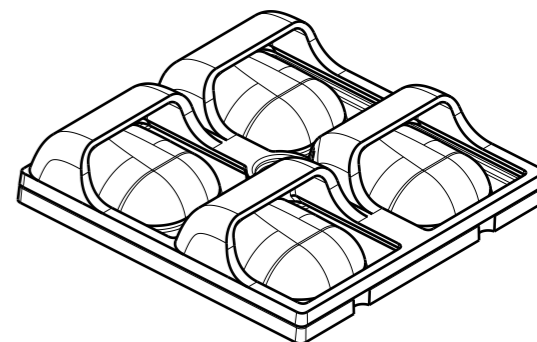
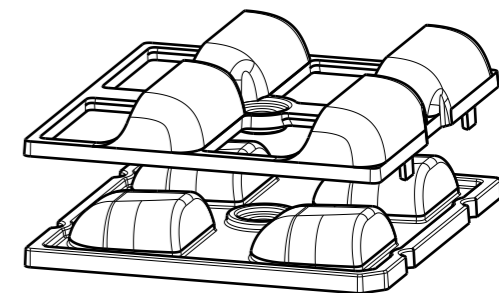
5.9



49.8

49.8

20.3



PART	TYPE	MATERIAL	COLOR / COATING
C17677_STRADA-2X2-SHD-BLK_	SHADE	PC	black

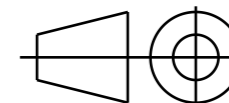
MECHANICAL DRAWING

PRODUCT
STRADA

LEDiL®

Plastic moulding general tolerances according to DIN 16901-130 and applies if not otherwise shown in the drawing. Silicone moulding general tolerances according to ISO 3302-1 Class M3 and applies if not otherwise shown in the drawing.

FIRST ANGLE PROJECTION:



This drawing is the property of LEDiL Oy. It may not be copied or otherwise distributed without prior written permission from LEDiL Oy.

SCALE	1:1	WEIGHT	3 g	A3	SHEET 1/1
-------	-----	--------	-----	----	-----------

Notes

Ensure LED fitting from a product specific 3D model available from www.ledil.com

For more details about installation please see LEDiL Installation Guide on www.ledil.com