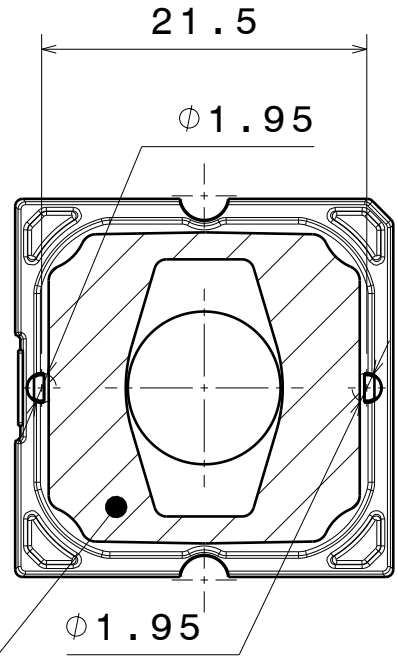
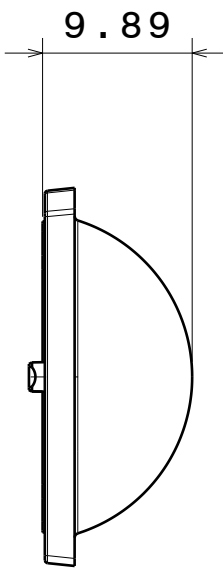
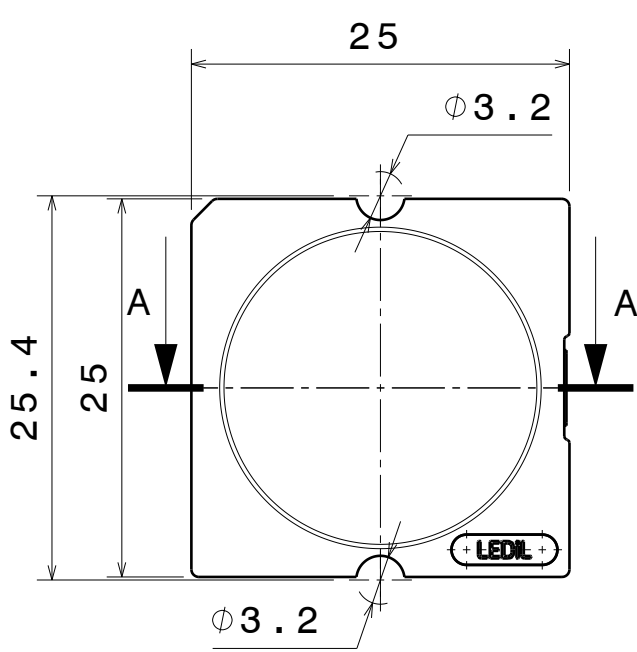


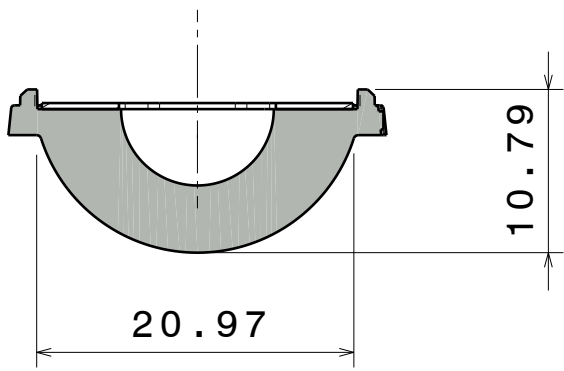
D C B A

4

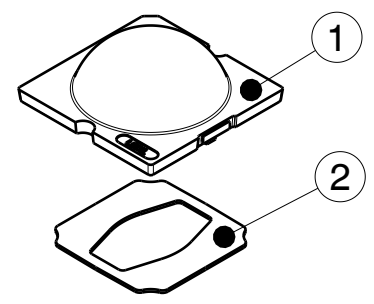


4

3



Section view A-A  
Scale: 2:1



Exploded view  
Scale: 1:1

3

2

| INDEX | PART NO | DESCRIPTION           | MATERIAL     | COLOUR   |
|-------|---------|-----------------------|--------------|----------|
| 1     | C16029  | STRADA-SQ-C_MechModel | PMMA         | clear    |
| 2     | C14564  | ROSE-TAPE             | Acrylic foam | adhesive |

Tolerances if not otherwise shown  
According to DIN ISO 2768-1  
Linear measures:  
Up to 30mm class M, otherwise class C.  
According to DIN ISO 2768-2  
Form and position: class L

**LEDiL** Ledil Oy  
Salorankatu 10  
FIN 24240 SALO  
Finland

FIRST ANGLE PROJECTION:

DRAWING TITLE  
**CA16031\_STRADA-SQ-C\_Datasheet**

This drawing is the property of LEDiL Oy. It may not be reproduced, copied or communicated without a written agreement with LEDiL Oy.

SIZE PART NUMBER  
**A4 CA16031**

SCALE 2:1 WEIGHT 2,91 g SHEET 1/1

2

1

1

D A