

D

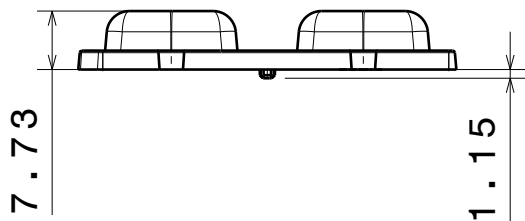
C

B

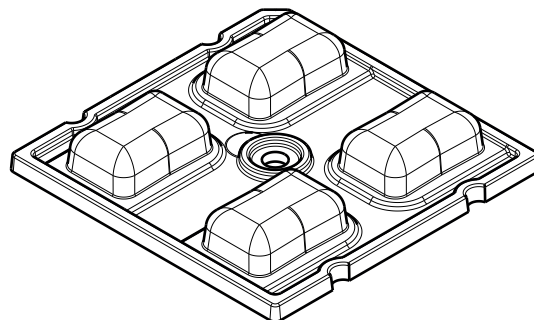
A

4

4



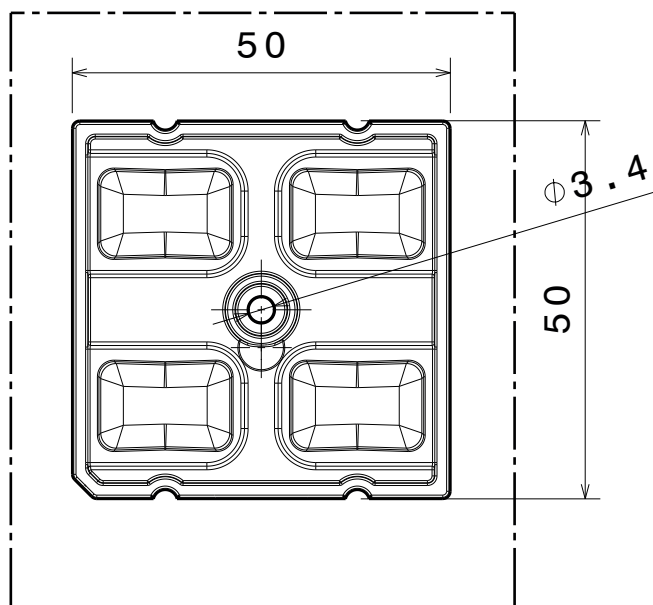
Bottom view  
Scale: 1:1



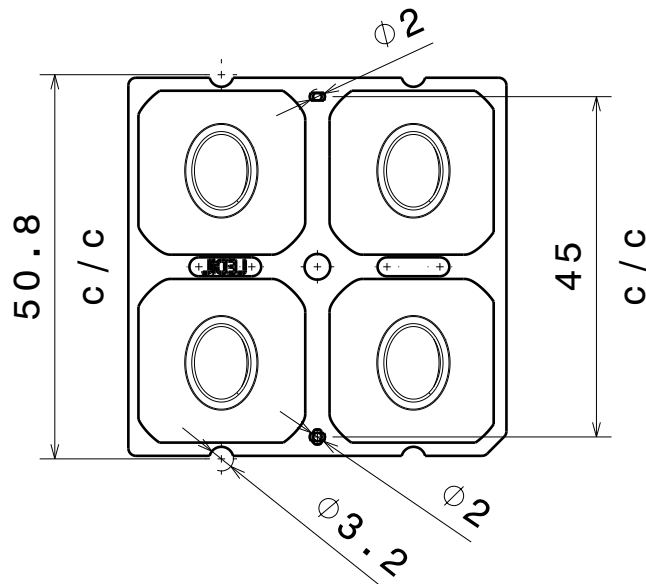
Isometric view  
Scale: 1:1

3

3



Front view  
Scale: 1:1



Rear view  
Scale: 1:1

2

2

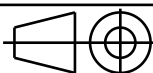
INDEX	PART NO	DESCRIPTION	MATERIAL	COLOUR
1	C15217	STRADA-2x2-CAT-B	PMMA	

Plastic moulding general tolerances according to DIN 16901-130 and applies if not otherwise shown in the drawing.  
Silicone moulding general tolerances according to ISO 3302-1 Class M3 and applies if not otherwise shown in the drawing.

**LEDiL**

Ledil Oy  
Salorankatu 10  
FIN 24240 SALO  
Finland

THIRD ANGLE PROJECTION:



DRAWING TITLE

C15217\_STRADA-2x2-CAT-B

This drawing is the property of LEDiL Oy. It may not be reproduced, copied or communicated without a written agreement with LEDiL Oy.

SIZE PART NUMBER

A4

C15217

SCALE 1:1 WEIGHT 20,91 g SHEET 1/1

D

A

1

1