

H G F E D C B A

4

3

2

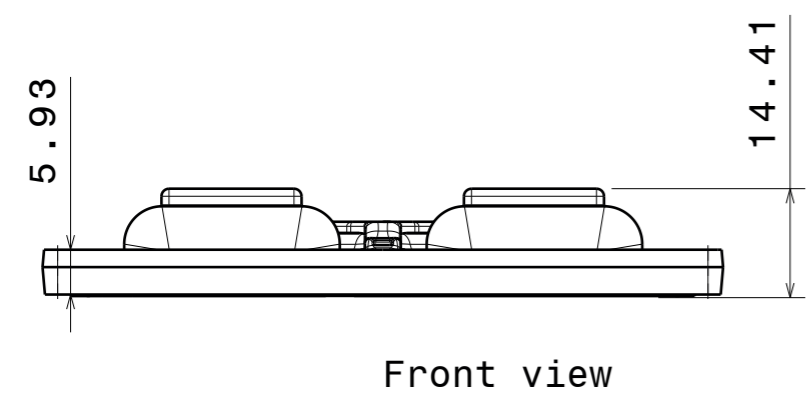
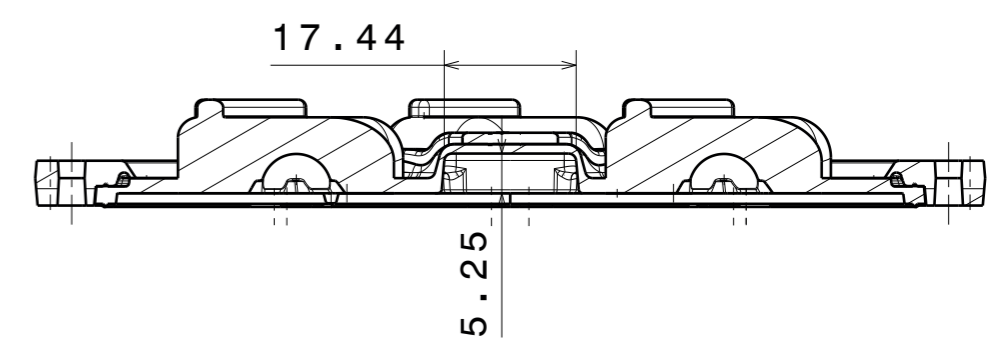
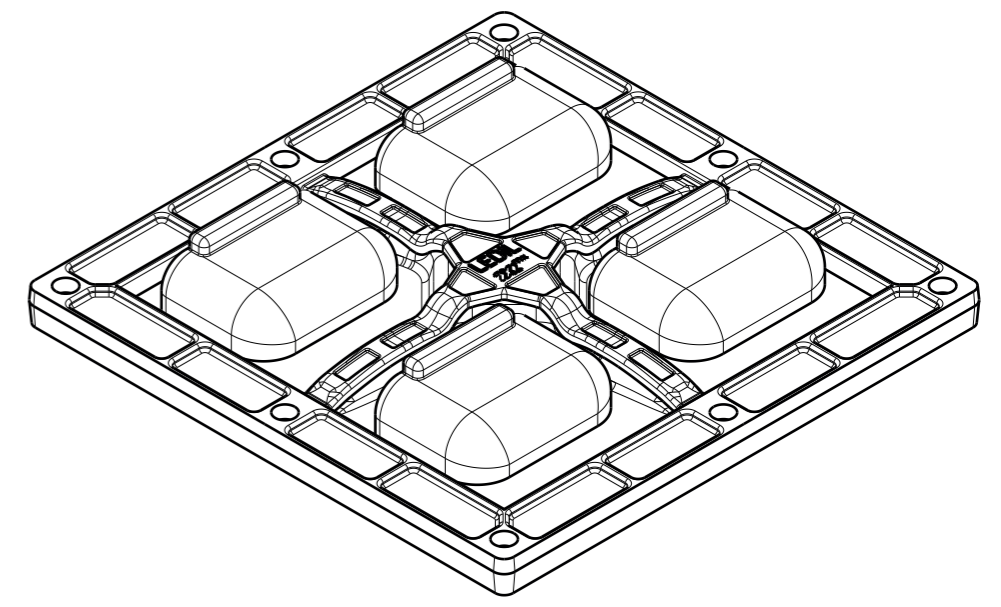
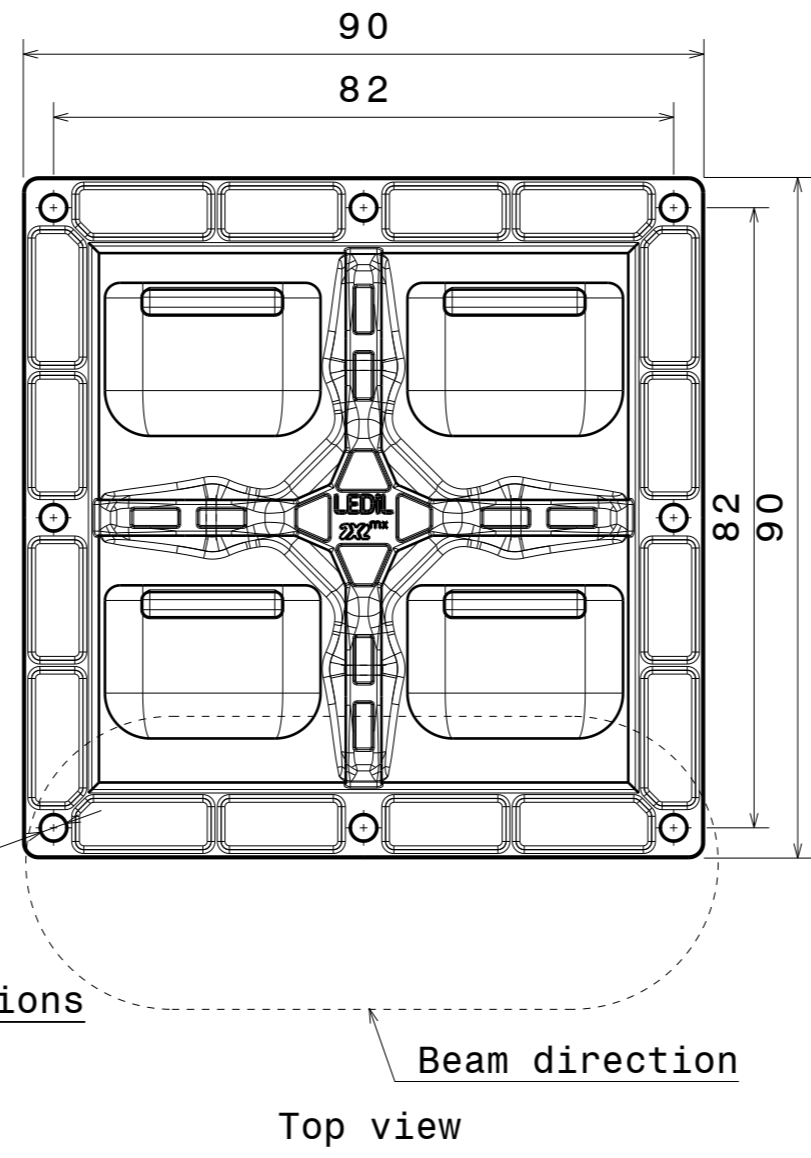
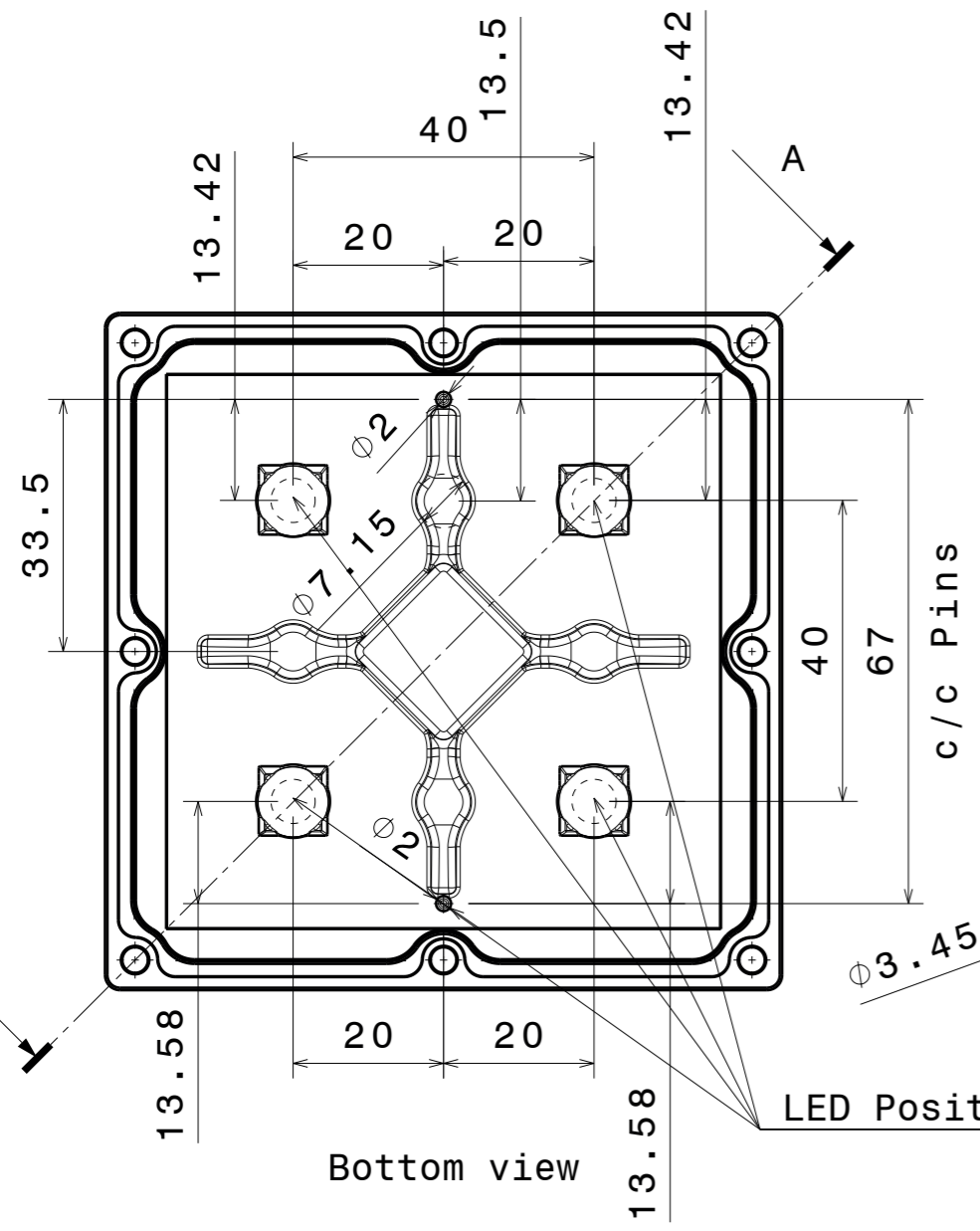
1

4

3

2

1



INDEX	PART NO	DESCRIPTION	MATERIAL	COLOUR
1	F14812	STRADA-2X2MXS-DWC2	Silicone	Clear
2	F14813	STRADA-2X2MXS-FRAME	PA-GF	black

Plastic moulding general tolerances according to DIN 16901-130 and applies if not otherwise shown in the drawing.
 Silicone moulding general tolerances according to ISO 3302-1 Class M3 and applies if not otherwise shown in the drawing.

THIRD ANGLE PROJECTION:

This drawing is the property of LEDiL Oy. It may not be reproduced, copied or communicated without a written agreement with LEDiL Oy.

LEDiL LediL Oy
 Salorankatu 10
 FIN 24240 SALO
 Finland

DRAWING TITLE
Mechanical Drawing

SIZE	PART NUMBER				
A3	FN14825				
SCALE	1:1	WEIGHT	-	SHEET	1/1

H G B A