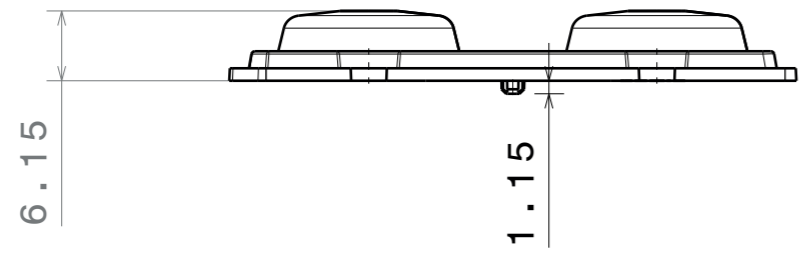
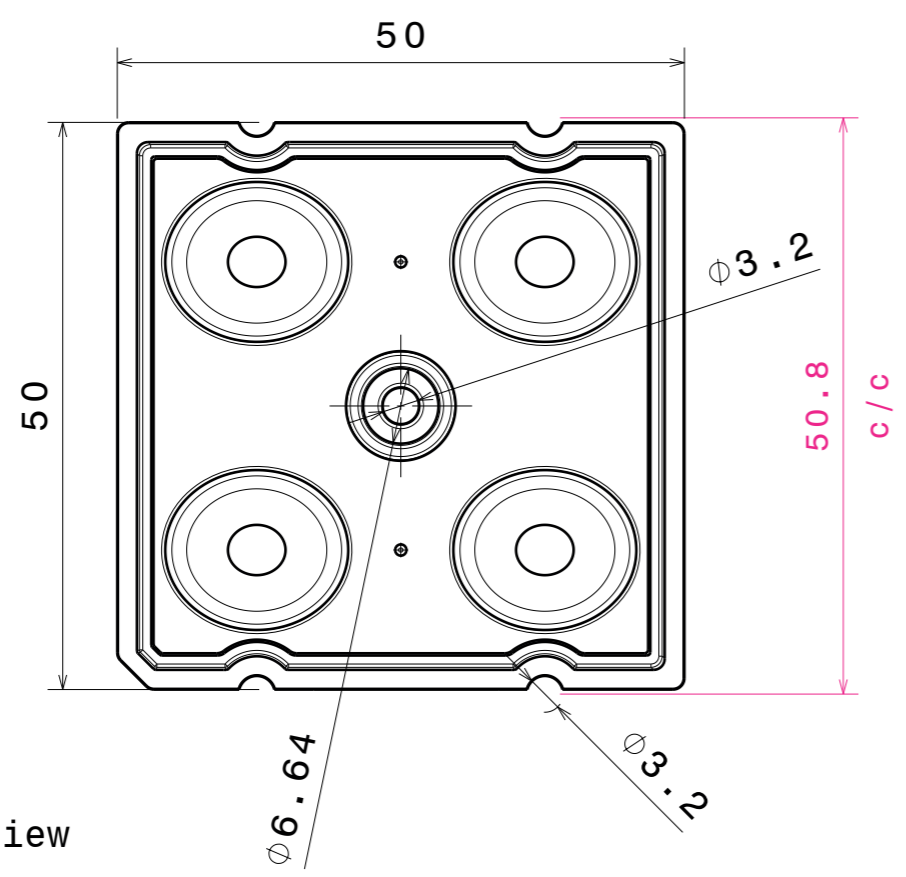


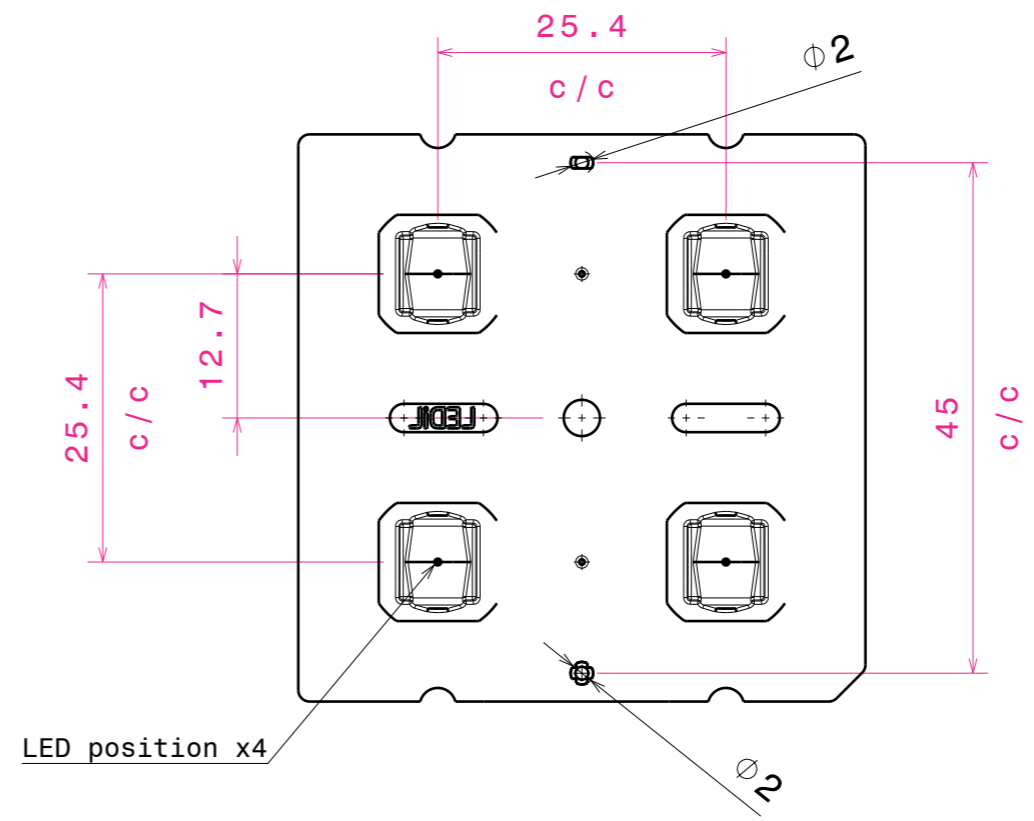
Isometric view



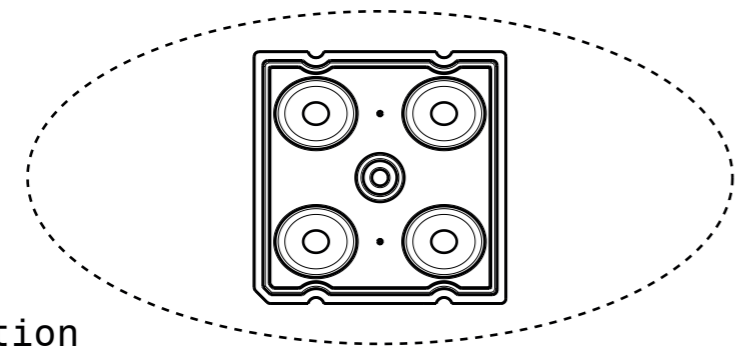
Front view



Top view



Bottom view



Beam direction

INDEX	PART NO	DESCRIPTION	MATERIAL	COLOUR
1	C14750	STRADA-2X2-CAT	PMMA	clear

Plastic moulding general tolerances according to DIN 16901-130 and applies if not otherwise shown in the drawing.
Silicone moulding general tolerances according to ISO 3302-1 Class M3 and applies if not otherwise shown in the drawing.

LEDiL LediL Oy
Salorankatu 10
FIN 24240 SALO
Finland

THIRD ANGLE PROJECTION:

DRAWING TITLE
C14750_STRADA-2X2-CAT

This drawing is the property of LEDiL Oy. It may not be reproduced, copied or communicated without a written agreement with LEDiL Oy.

SIZE	PART NUMBER
A3	C14750

SCALE	3:2	WEIGHT	7g	SHEET	1/1
-------	-----	--------	----	-------	-----