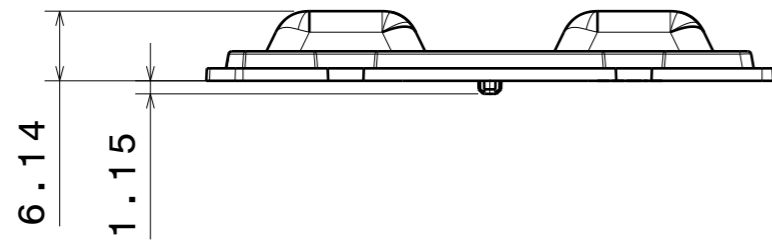
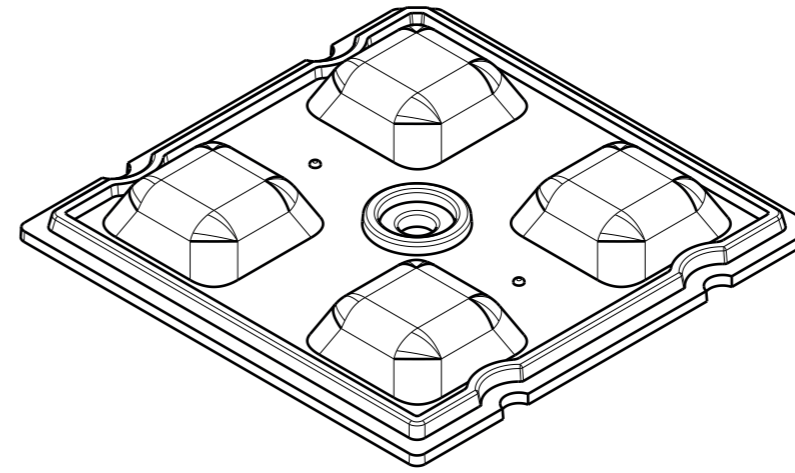


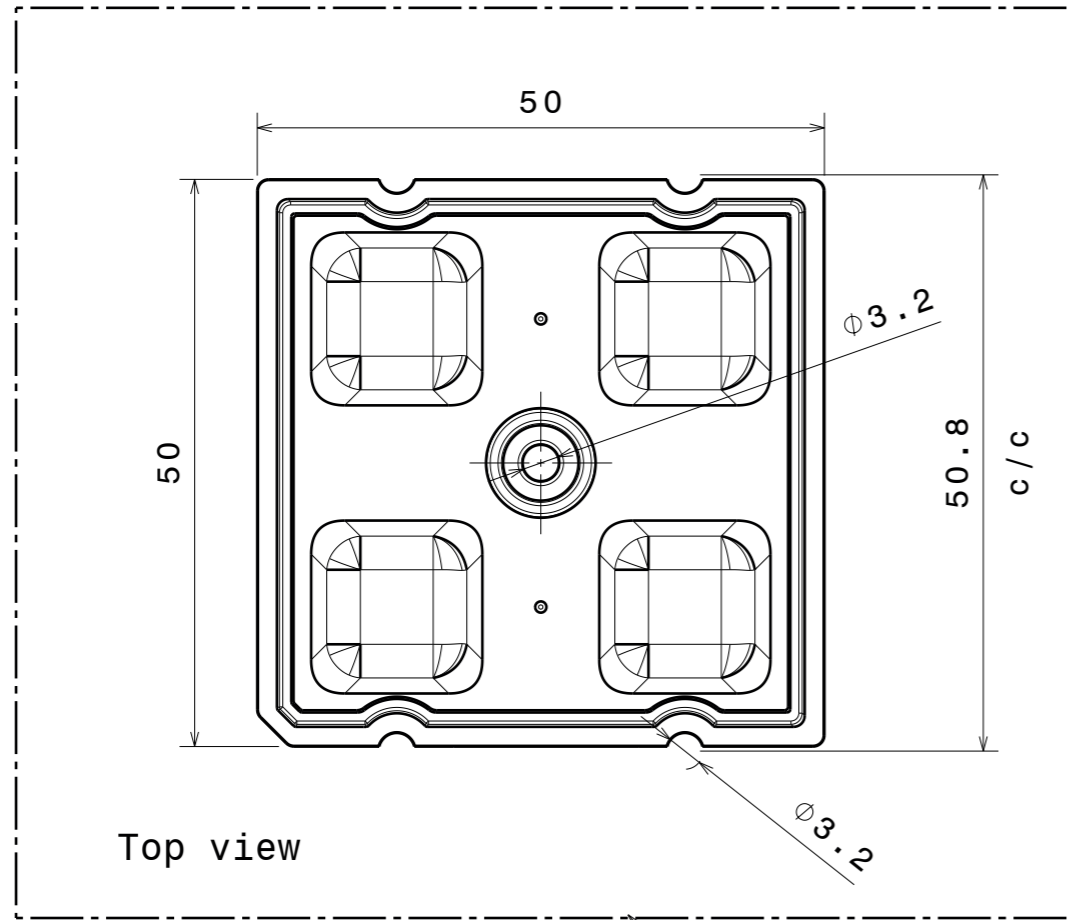
H G F E D C B A



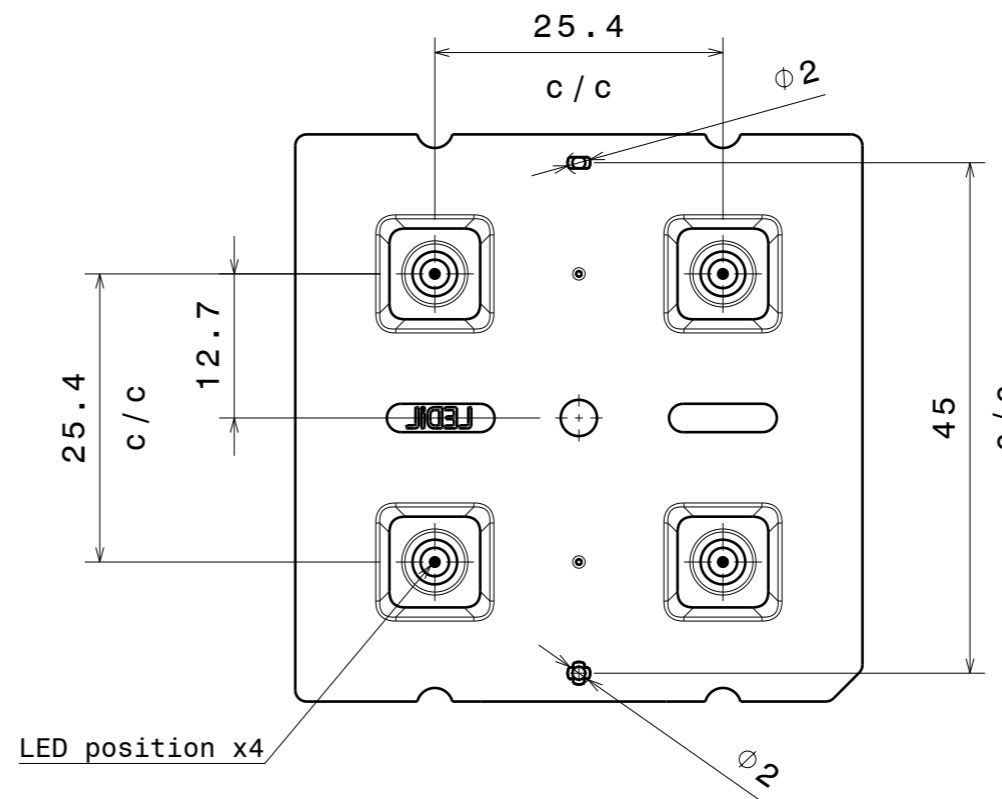
Front view



Isometric view



Top view



Bottom view

Beam direction

INDEX	PART NO	DESCRIPTION	MATERIAL	COLOUR
1	C14680	STRADA-2X2-VSM	PMMA	clear

Plastic moulding general tolerances according to DIN 16901-130 and applies if not otherwise shown in the drawing.
Silicone moulding general tolerances according to ISO 3302-1 Class M3 and applies if not otherwise shown in the drawing.



Ledil Oy
Salorankatu 10
FIN 24240 SALO
Finland

THIRD ANGLE PROJECTION:

DRAWING TITLE
C14680_STRADA-2X2-VSM

This drawing is the property of LEDiL Oy. It may not be reproduced, copied or communicated without a written agreement with LEDiL Oy.

SIZE	PART NUMBER			
A3	C14680			
SCALE	3:2	WEIGHT	6,70 g	SHEET 1/1

H G B A