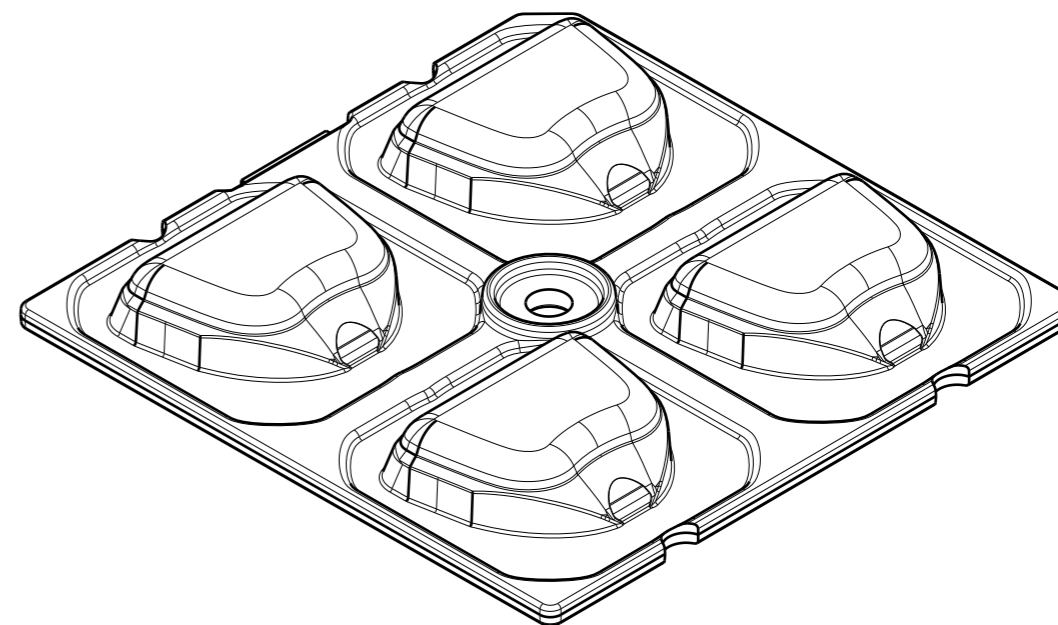
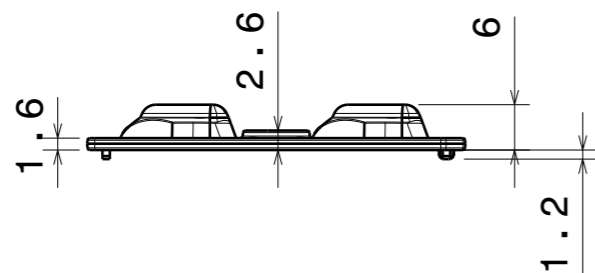


Bottom view

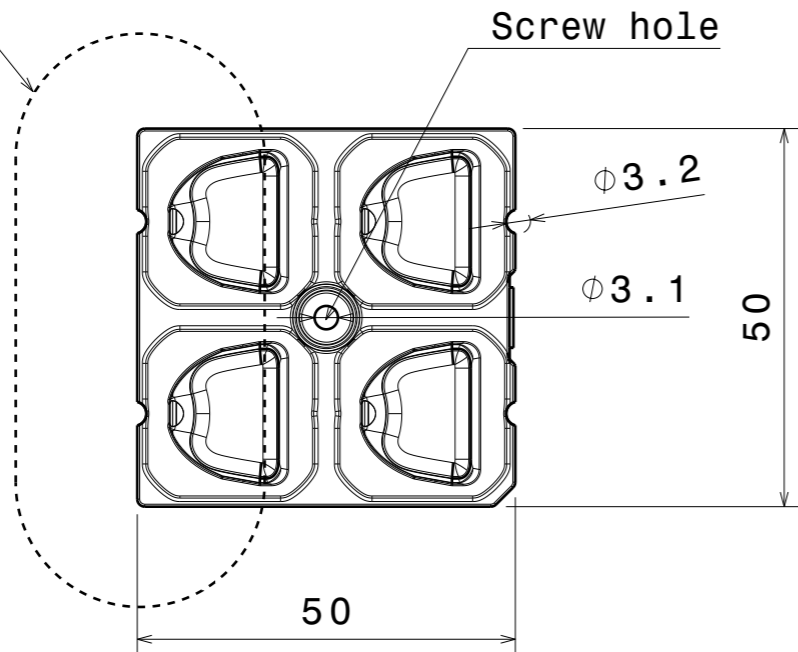


Isometric view
Scale: 2:1



Front view

Beam direction
(street side)



Top view

PC version of C12362_STRADA-2X2-DWC

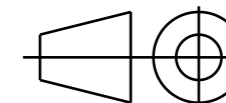
PART	TYPE	MATERIAL	COLOR / COATING
C14517_STRADA-2X2-DWC-PC	LENS	PC	CLEAR

MECHANICAL DRAWING

PRODUCT
STRADA

Plastic moulding general tolerances according to DIN 16901-130 and applies if not otherwise shown in the drawing. Silicone moulding general tolerances according to ISO 3302-1 Class M3 and applies if not otherwise shown in the drawing.

FIRST ANGLE PROJECTION:



LEDiL®

This drawing is the property of LEDiL Oy. It may not be copied or otherwise distributed without prior written permission from LEDiL Oy.

SCALE	1:1	WEIGHT	0.008924 kg	A3	SHEET 1/1
-------	-----	--------	-------------	----	-----------

Notes

- PCB or heatsink level.
- LED location
- Ensure LED fitting from a product specific 3D model available from www.ledil.com
- For more details about installation please see LEDiL Installation Guide on www.ledil.com