

H G F E D C B A

4

3

2

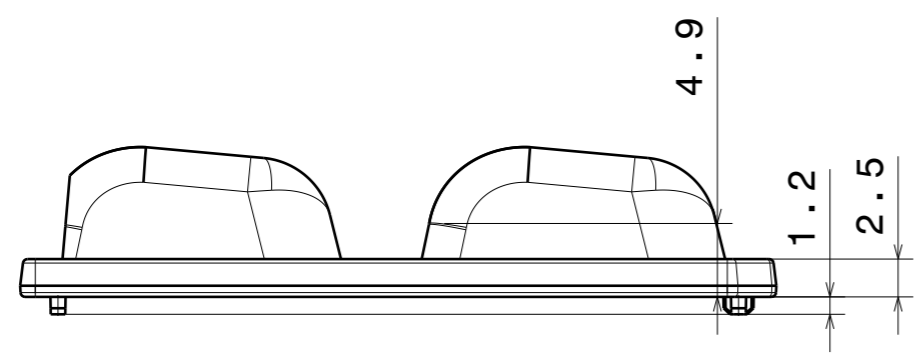
1

4

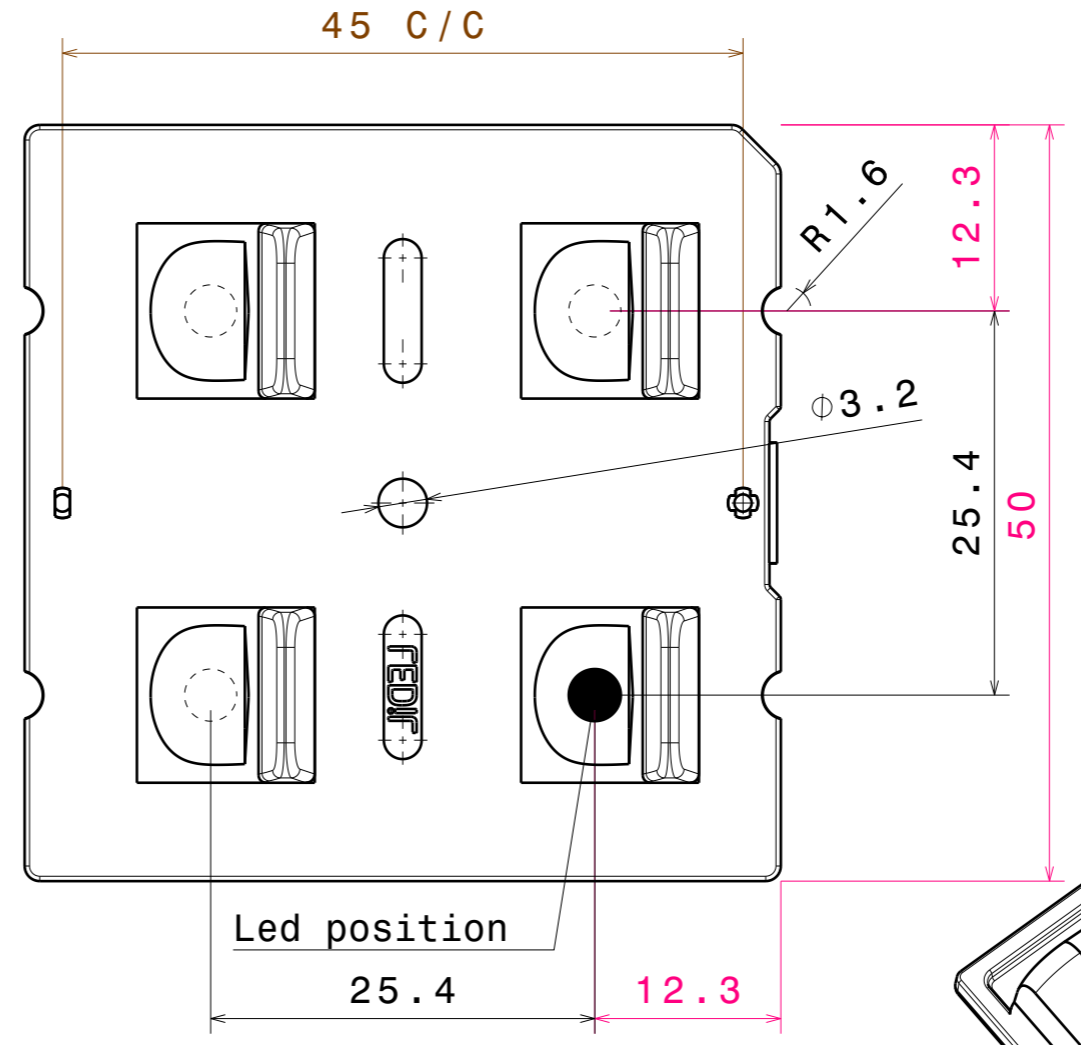
3

2

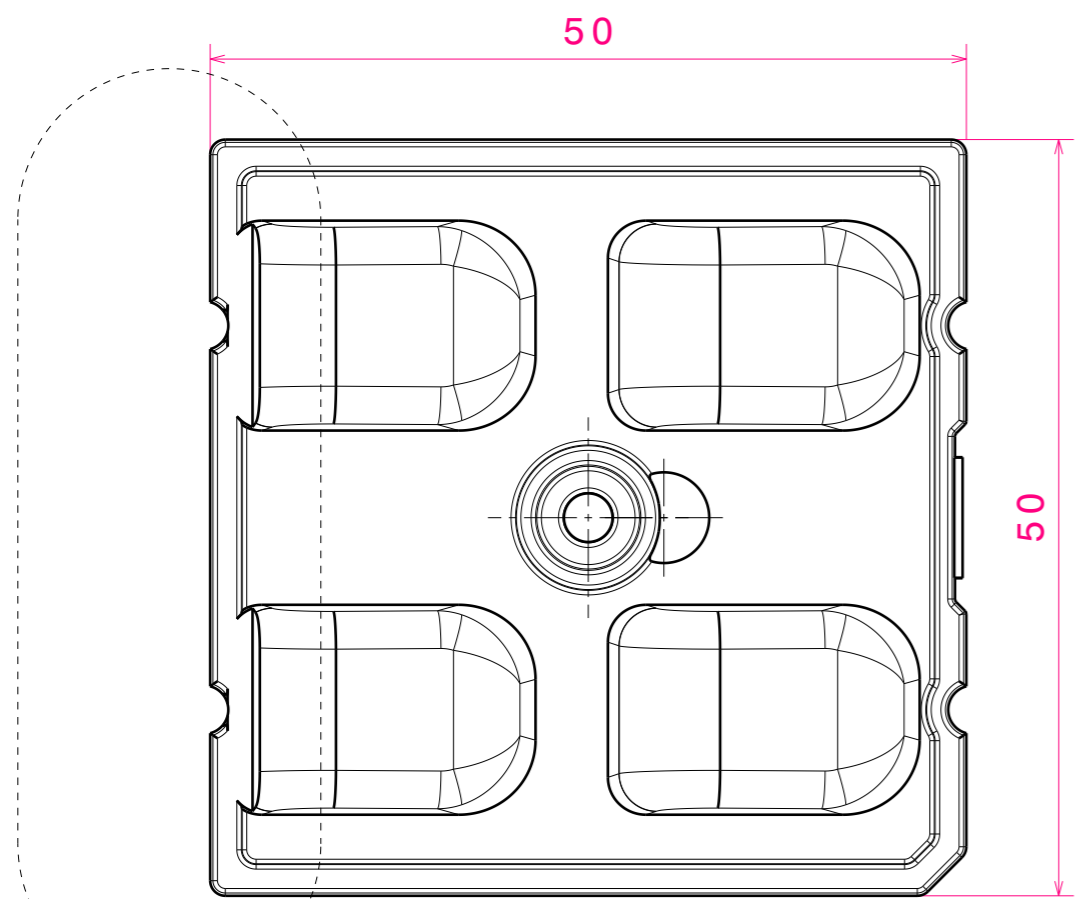
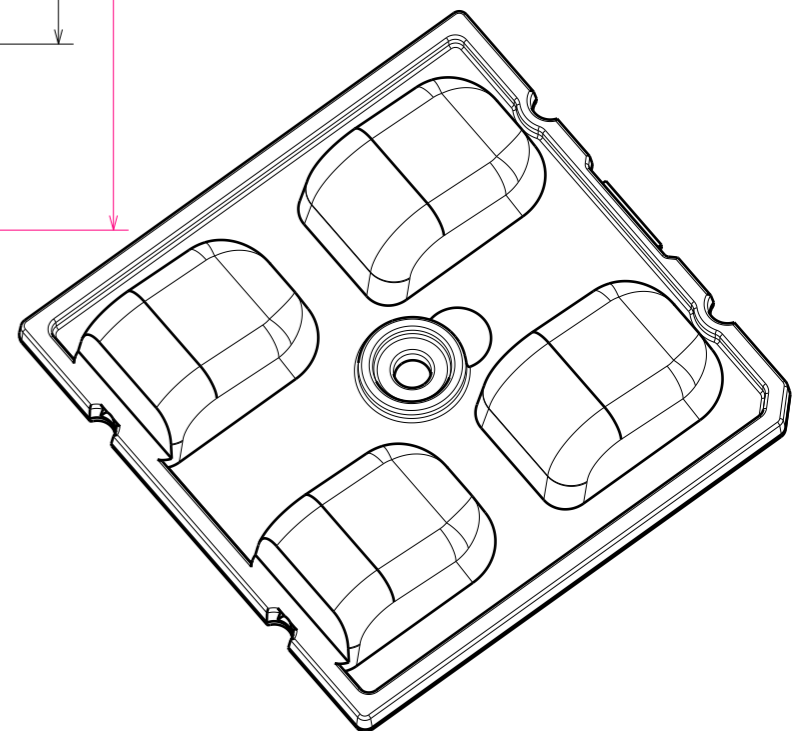
1



Front view



Bottom view



Top view

Beam direction

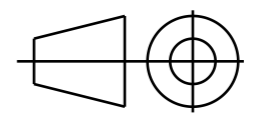
PART	TYPE	MATERIAL	COLOR / COATING
C13604_STRADA-2X2-FN		PMMA	

MECHANICAL DRAWING

PRODUCT **STRADA**

Plastic moulding general tolerances according to DIN 16901-130 and applies if not otherwise shown in the drawing. Silicone moulding general tolerances according to ISO 3302-1 Class M3 and applies if not otherwise shown in the drawing.

FIRST ANGLE PROJECTION:



SCALE 2:1

WEIGHT 10,7 g



This drawing is the property of LEDiL Oy. It may not be copied or otherwise distributed without prior written permission from LEDiL Oy.

A3 SHEET 1/1

a A B A