

D

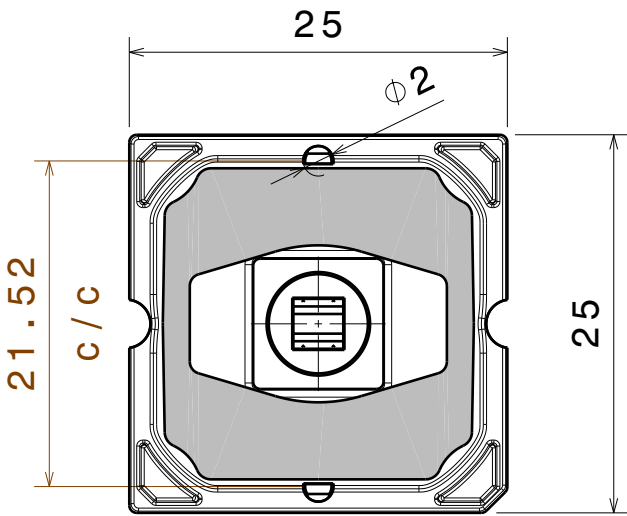
C

B

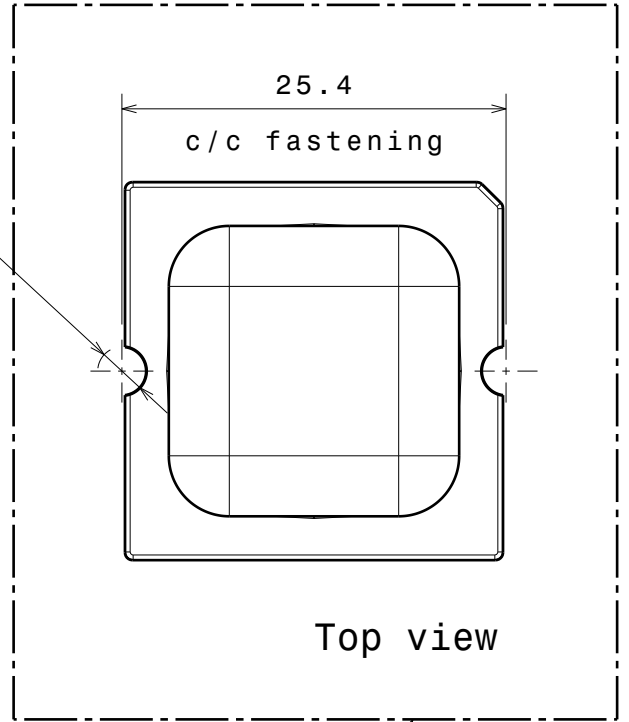
A

4

4



Bottom view

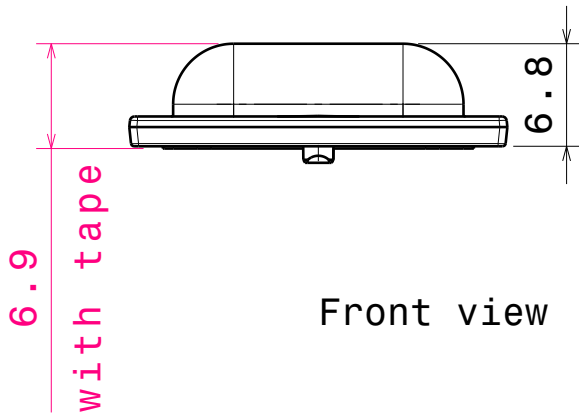


Top view

Beam direction

3

3



Front view

2

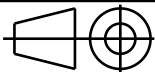
2

Tolerances if not otherwise shown
 According to DIN ISO 2768-1
 Linear measures:
 Up to 30mm class M, otherwise class C.
 According to DIN ISO 2768-2
 Form and position: class L

LEDiL

Ledil Oy
 Salorankatu 10
 FIN 24240 SALO
 Finland

THIRD ANGLE PROJECTION:



DRAWING TITLE

STRADA-SQ-VSM MechanicalDrawing

This drawing is the property
 of LEDiL Oy. It may not be
 reproduced, copied or
 communicated without a written
 agreement with LEDiL Oy."

SIZE

PART NUMBER

A4

-

SCALE

2:1

WEIGHT

-

SHEET

1/1

1

1

D

A