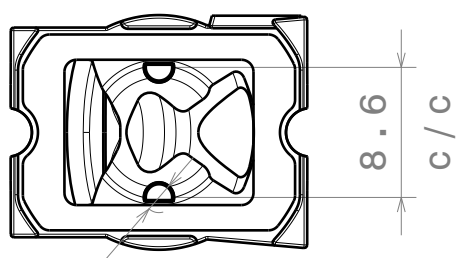
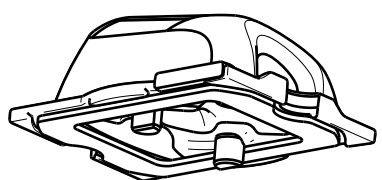


D

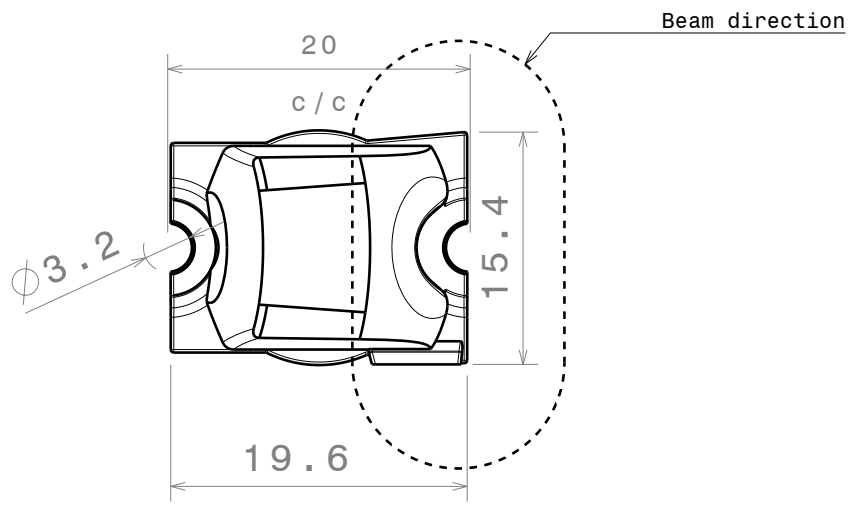
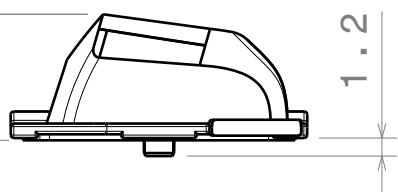
C

B

A



8.2
without tape
8.3



MATERIALS
Lens: PMMA
Tape(optional): PU Foam

This drawing is our property.
It can't be reproduced
or communicated without
our written agreement.



DRAWING TITLE

DRAWN BY
ah

DATE
3.7.2012

Datasheet Strada-FT-Tape series assy

CHECKED BY
sn

DATE
3.7.2012

SIZE
A4

DRAWING NUMBER

REV
2

DESIGNED BY
hh

DATE
15.3.2011

SCALE 2:1

WEIGHT (g)

SHEET

1/1

D

A

4

4

3

3

2

2

1

1