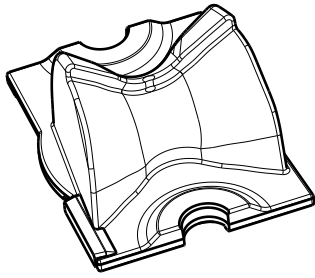


D

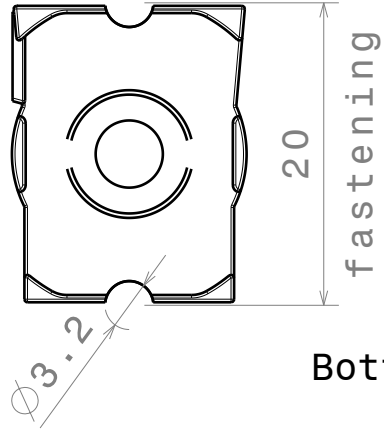
C

B

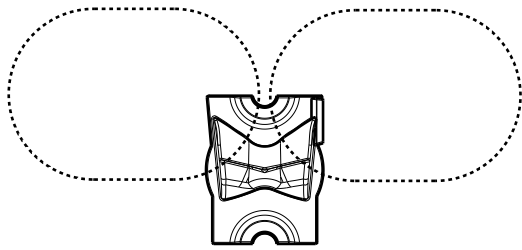
A



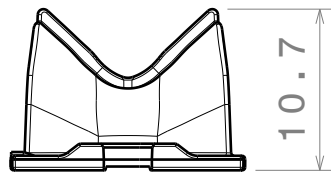
Isometric view



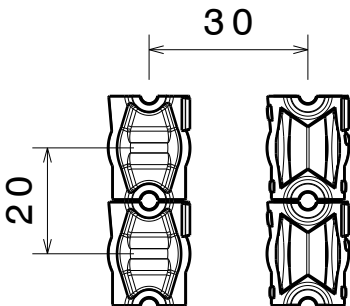
Bottom view



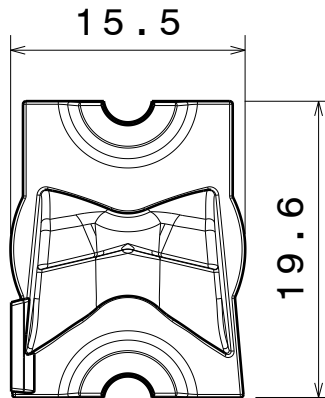
Beam direction



Front view



Strada lens arrangement recommendation



Top view

MATERIALS  
 Lens: PMMA  
 Tape(optional): PU Foam

Part no. with tape fastening: CA11993\_Strada-T-DW

This drawing is our property.  
 It can't be reproduced  
 or communicated without  
 our written agreement.



Ledil Oy  
 Tehdaskatu 13  
 FIN-24100 SALO  
 Finland

DRAWING TITLE

Datasheet Strada-T-DW-EP Lens

DRAWN BY

pv

DATE

5.9.2011

CHECKED BY

j1

DATE

5.9.2011

DESIGNED BY

hh

DATE

17.05.2010

SIZE

A4

DRAWING NUMBER

C11898

REV

1

SCALE

2:1

WEIGHT (g)

SHEET

1/1

D

A

4

4

3

3

2

2

1

1