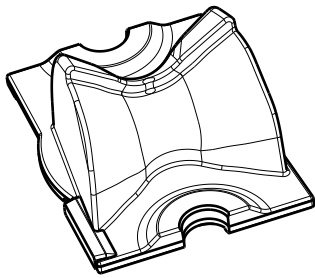


D

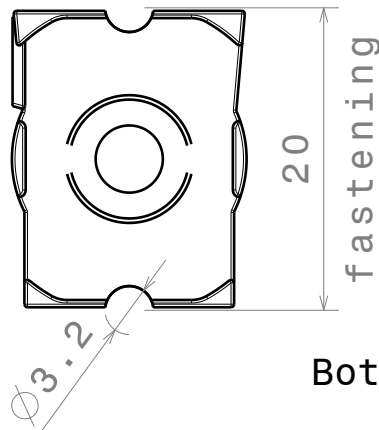
C

B

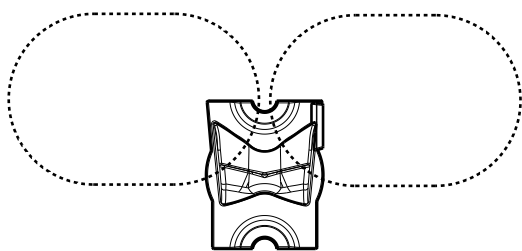
A



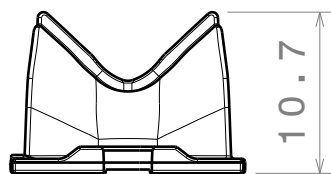
Isometric view



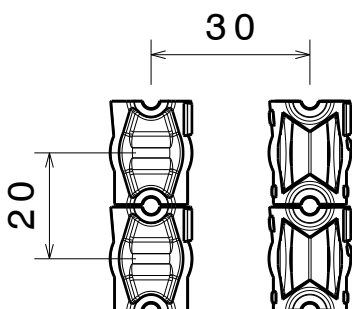
Bottom view



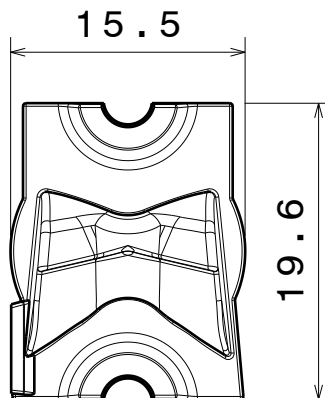
Beam direction



Front view



Strada lens arrangement recommendation



Top view

MATERIALS
 Lens: PMMA
 Tape(optional): PU Foam

Part no. with tape fastening: CA11993_Strada-T-DW

This drawing is our property.
 It can't be reproduced
 or communicated without
 our written agreement.



Ledil Oy
 Tehdaskatu 13
 FIN-24100 SALO
 Finland

DRAWING TITLE

Datasheet Strada-T-DW-EP Lens

DRAWN BY

pv

DATE

5.9.2011

CHECKED BY

j1

DATE

5.9.2011

SIZE

A4

DRAWING NUMBER

C11898

REV

1

DESIGNED BY

hh

DATE

17.05.2010

SCALE

2:1

WEIGHT (g)

SHEET

1/1

D

A

4

4

3

3

2

2

1

1