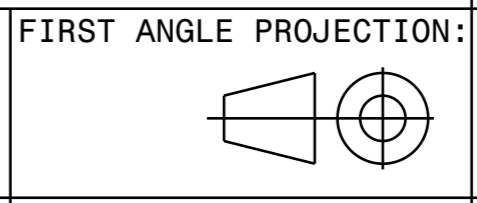


PART	TYPE	MATERIAL	COLOR / COATING
STRADA-IP-24-SEAL	Seal	Silicone	Translucent
SPORT-IP-24-FT6-HT	Lens	Pmma	Clear
CS18999_SPORT-IP-24-FT6-HT	Assembly		

**MECHANICAL DRAWING**

PRODUCT  
**Sport**

Plastic moulding general tolerances according to DIN 16901-130 and applies if not otherwise shown in the drawing. Silicone moulding general tolerances according to ISO 3302-1 Class M3 and applies if not otherwise shown in the drawing.



SCALE 1:1

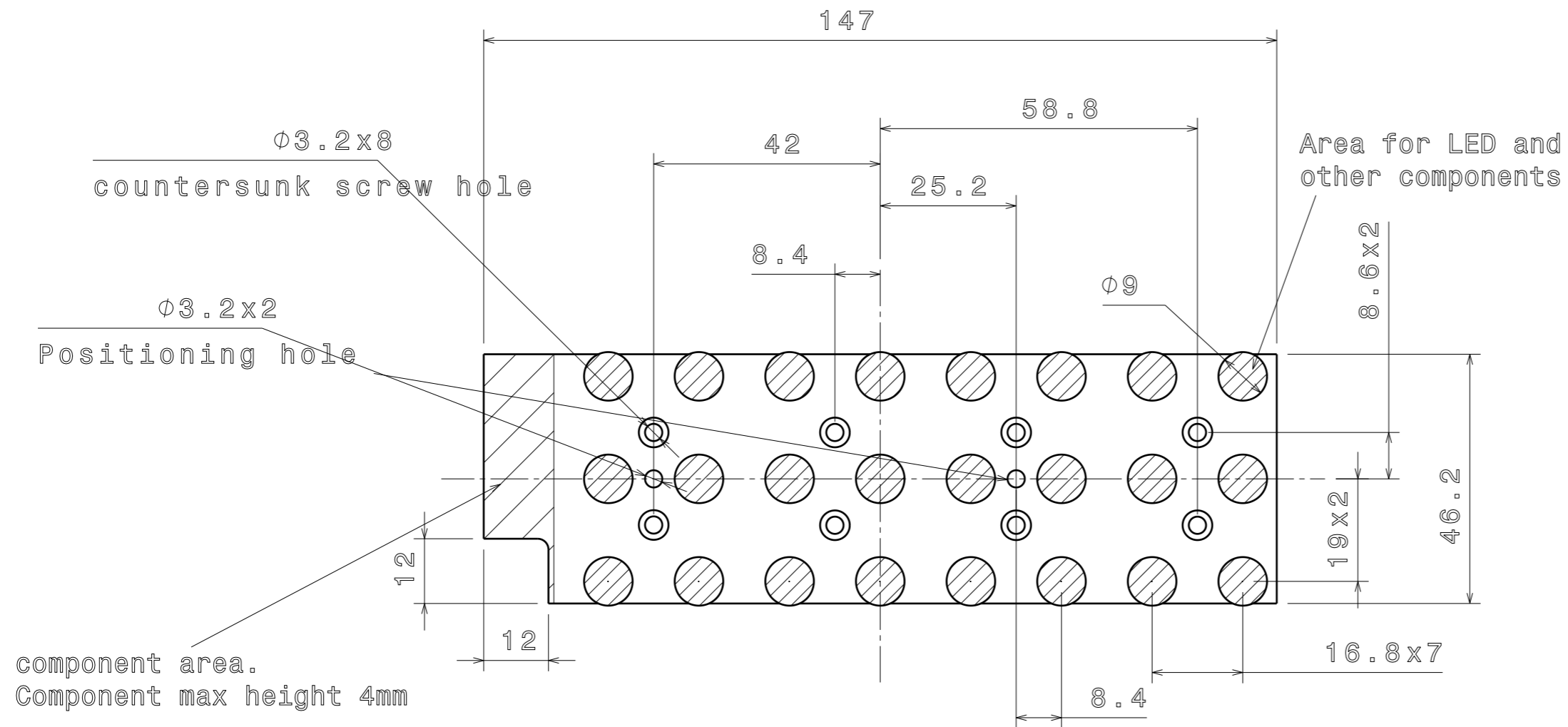
WEIGHT 56.9g

**LEDiL**

This drawing is the property of LEDiL Oy. It may not be copied or otherwise distributed without prior written permission from LEDiL Oy.

A3 SHEET 1/2

- Notes**
- Heatsink level.
  - LED location
  - Circuit board layout drawing available
  - Ensure LED fitting from a product specific 3D model available from [www.ledil.com](http://www.ledil.com)
  - For more details about installation please see LEDiL Installation Guide on [www.ledil.com](http://www.ledil.com)

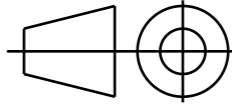


component area.  
Component max height 4mm

It is recommended to rotate  
LED from position to position.



PART	TYPE	MATERIAL	COLOR / COATING
pcb	Layout	-	-

MECHANICAL DRAWING		<b>LEDiL<sup>®</sup></b>
PRODUCT	Strada-IP-24	
Plastic moulding general tolerances according to DIN 16901-130 and applies if not otherwise shown in the drawing. Silicone moulding general tolerances according to ISO 3302-1 Class M3 and applies if not otherwise shown in the drawing.	FIRST ANGLE PROJECTION: 	This drawing is the property of LEDiL Oy. It may not be copied or otherwise distributed without prior written permission from LEDiL Oy.
SCALE 1:1	WEIGHT -	A3 SHEET 2/2