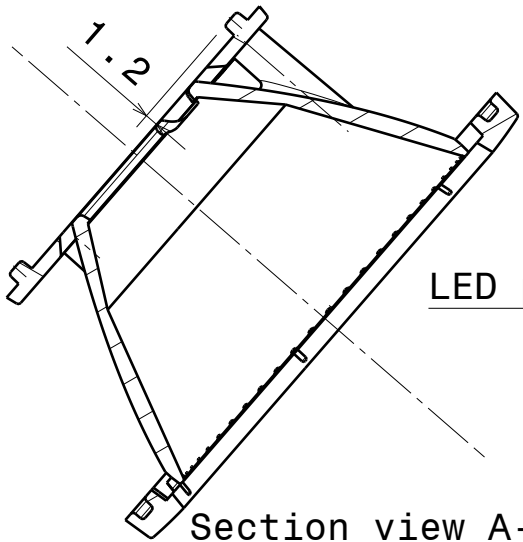


D C B A

4



Section view A-A  
Scale: 3:2

LED position

∅49.9

∅3.4

∅1.8

∅31.4

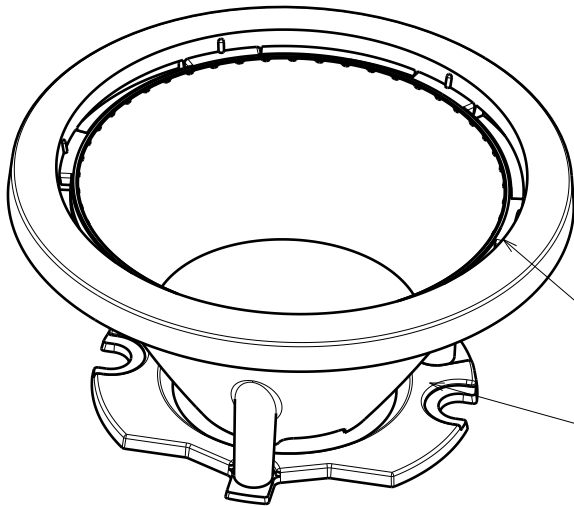
∅29

4

3



3

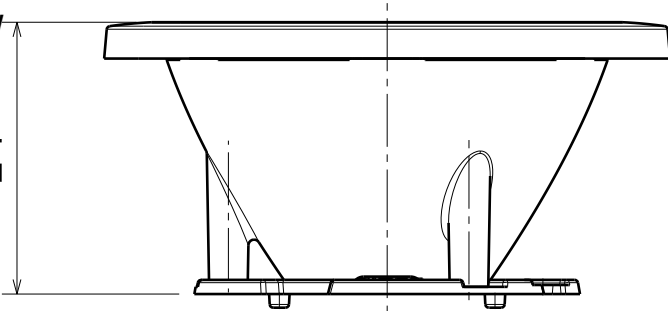


Isometric view  
Scale: 3:2

Reflector

Socket

24

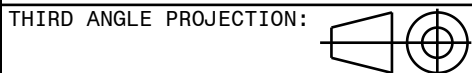


2

CN13918\_MIRELLA-50-S-PF-VER013/18  
CN13920\_MIRELLA-50-M-PF-VER013/18  
CN13923\_MIRELLA-50-W-PF-VER013/18

Tolerances if not otherwise shown  
According to DIN ISO 2768-1  
Linear measures:  
Up to 30mm class M, otherwise class C.  
According to DIN ISO 2768-2  
Form and position: class L

**LEDiL** LediL Oy  
Salorankatu 10  
FIN 24240 SALO  
Finland



DRAWING TITLE  
**MIRELLA-50-PF-VER013/18**

This drawing is the property  
of LEDiL Oy. It may not be  
reproduced, copied or  
communicated without a written  
agreement with LEDiL Oy."

SIZE	PART NUMBER
A4	-

SCALE	3:2	WEIGHT	-	SHEET	1/1
-------	-----	--------	---	-------	-----

D

A

1