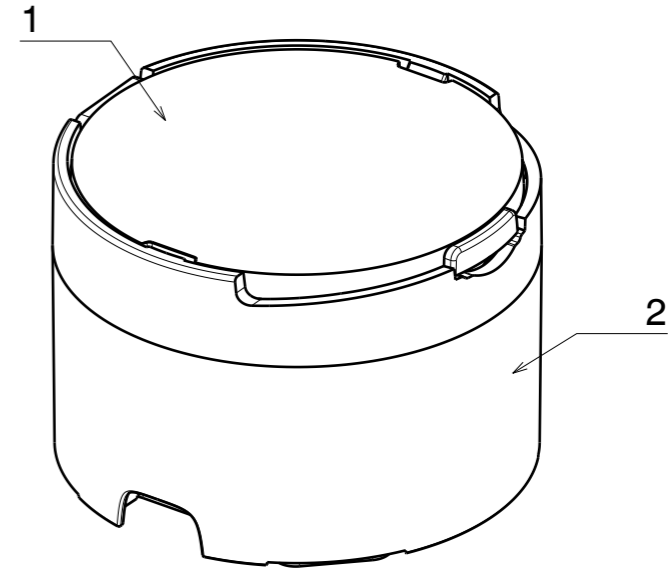
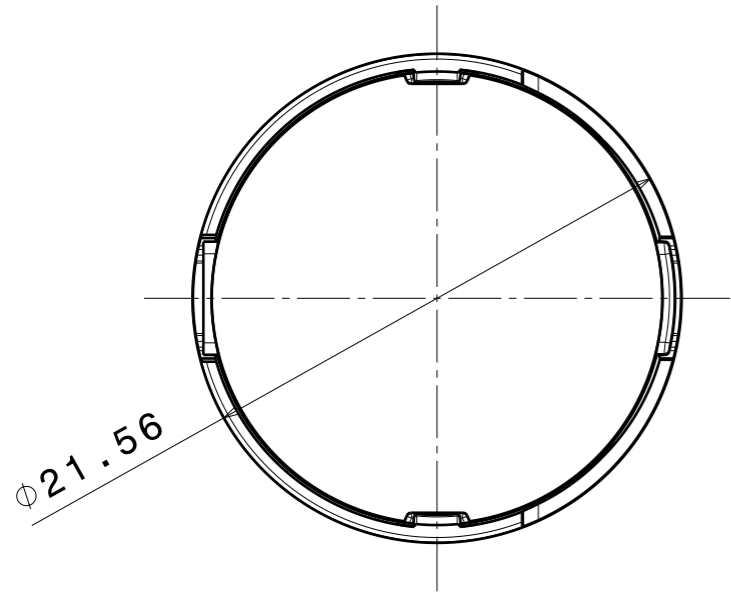


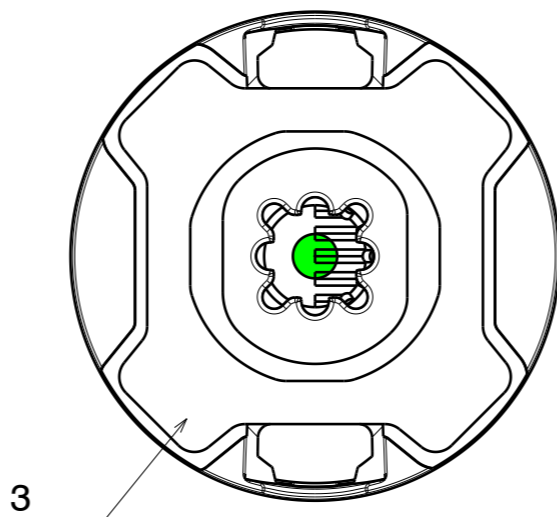
Front View



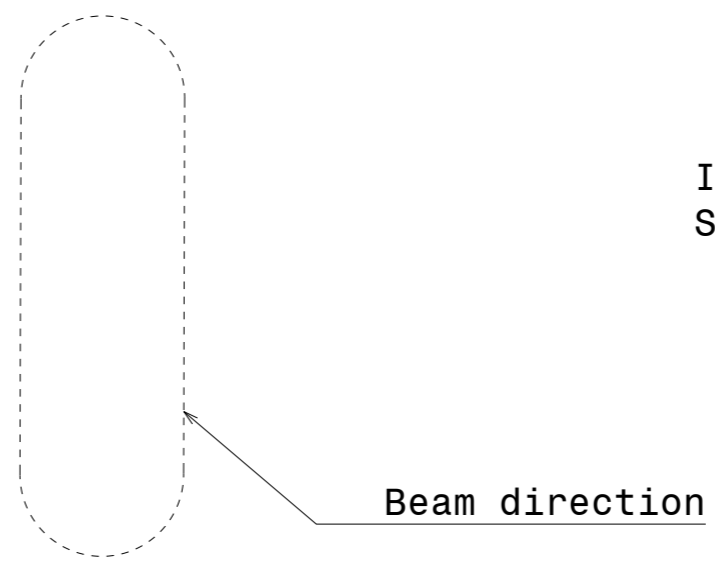
Isometric View  
Scale: 3:1



Top View



Bottom View



Beam direction

CA14392\_LXP2-0-WAS

INDEX	PART	TYPE	MATERIAL	COLOR
1	C14391_LXP2-0-WAS	lens	PMMA	clear
2	C14389_LXP2-WAS-HLD	holder	PC	black
3	C11269_HEIDI-TAPE	tape	Acrylic foam	

MECHANICAL DRAWING		<b>LEDiL</b> <sup>®</sup>
PRODUCT <b>LEILA</b>		
Plastic moulding general tolerances according to DIN 16901-130 and applies if not otherwise shown in the drawing. Silicone moulding general tolerances according to ISO 3302-1 Class M3 and applies if not otherwise shown in the drawing.	FIRST ANGLE PROJECTION: 	This drawing is the property of LEDiL Oy. It may not be copied or otherwise distributed without prior written permission from LEDiL Oy.
SCALE 1:1	WEIGHT -	A3 SHEET 1/1

Notes

	PCB or heatsink level.
	LED location
	Ensure LED fitting from a product specific 3D model available from <a href="http://www.ledil.com">www.ledil.com</a>
	For more details about installation please see LEDiL Installation Guide on <a href="http://www.ledil.com">www.ledil.com</a>