

D

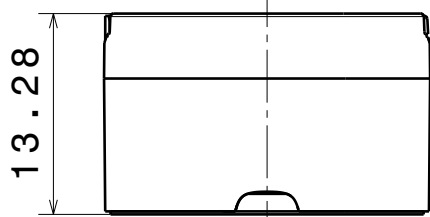
C

B

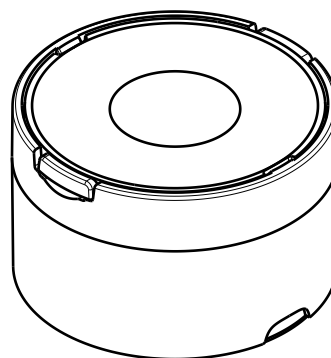
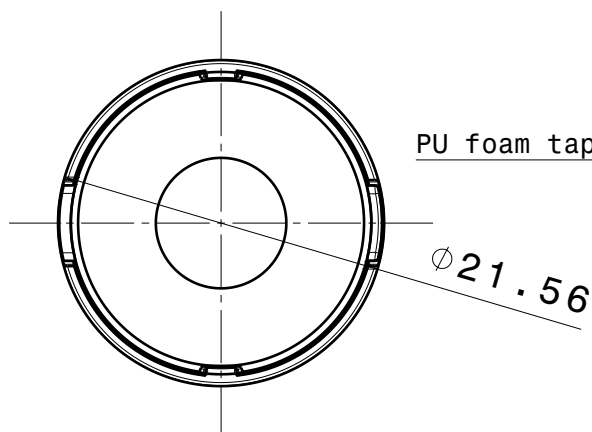
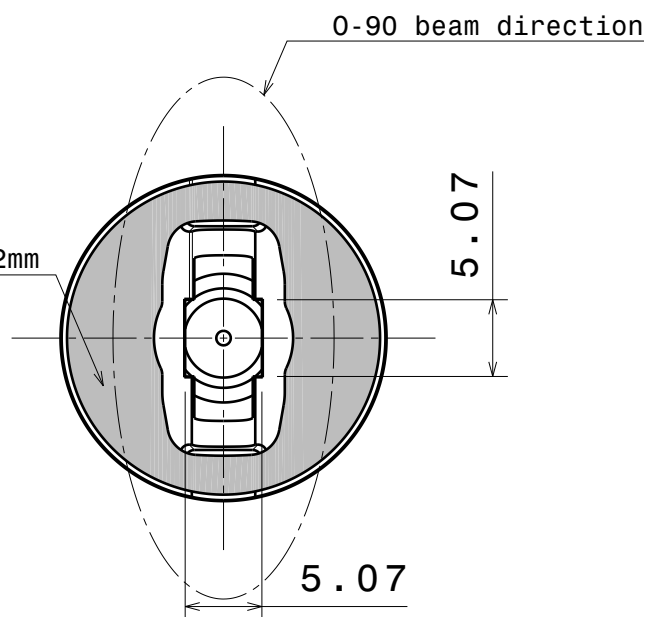
A

DATE

13.08.2020



Front view

Isometric view
Scale: 2:1Front view
Scale: 2:1Rear view
Scale: 2:1LN2-series
COMPONENTS

INDEX	PART	TYPE	MATERIAL	COLOR / COATING
1	LEILA LN2-series	LENS	PMMA	Clear
2	F10699-LN2-LH1-TAPE	HOLDER	PC	Black
3	F12078_LEILA-TAPE	TAPE	Scapa	Black

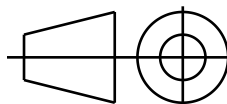
MECHANICAL DRAWING

PRODUCT

LEILA-20**LEDiL**®

Plastic moulding general tolerances according to DIN 16901-130 and applies if not otherwise shown in the drawing.
Silicone moulding general tolerances according to ISO 3302-1 Class M3 and applies if not otherwise shown in the drawing.

FIRST ANGLE PROJECTION:



This drawing is the property of LEDiL Oy. It may not be copied or otherwise distributed without prior written permission from LEDiL Oy.

SCALE 2:1

WEIGHT -

A4 SHEET 1/1

D

A