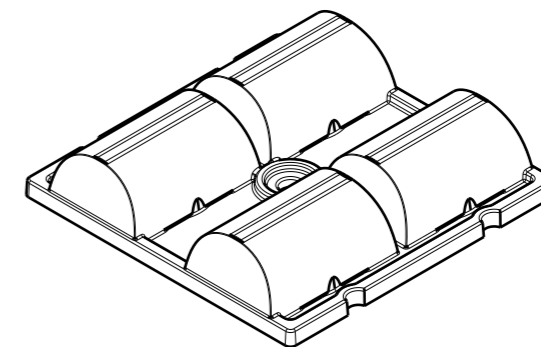
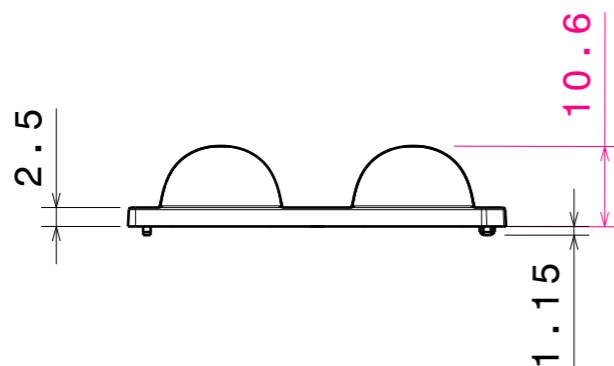


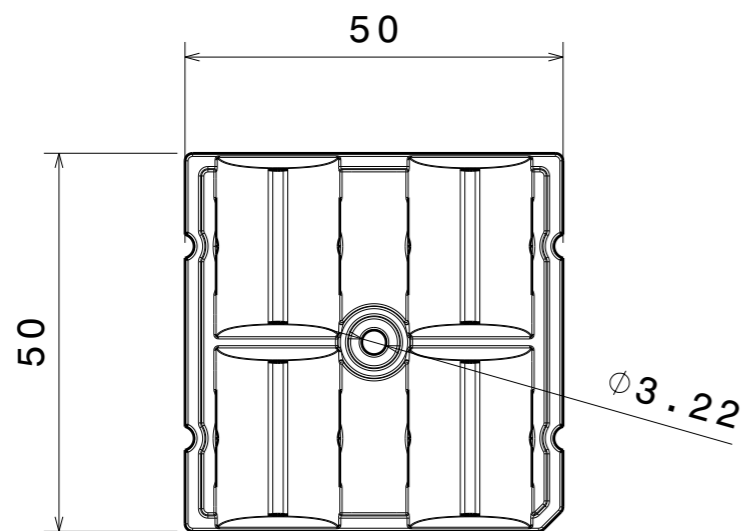
Bottom view



Isometric view
Scale: 1:1



Front view



Top view

PC version of C13749_HB-2X2-0

PART	TYPE	MATERIAL	COLOR / COATING
C16044_HB-2X2-0-PC	LENS	PC	CLEAR

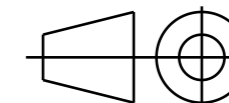
MECHANICAL DRAWING

PRODUCT
HIGH BAY

LEDiL®

Plastic moulding general tolerances according to DIN 16901-130 and applies if not otherwise shown in the drawing.
Silicone moulding general tolerances according to ISO 3302-1 Class M3 and applies if not otherwise shown in the drawing.

FIRST ANGLE PROJECTION:



This drawing is the property of LEDiL Oy. It may not be copied or otherwise distributed without prior written permission from LEDiL Oy.

SCALE 1:1

WEIGHT -

A3 SHEET 1/1

Notes

●	PCB or heatsink level.
●	LED location
	Ensure LED fitting from a product specific 3D model available from www.ledil.com
	For more details about installation please see LEDiL Installation Guide on www.ledil.com