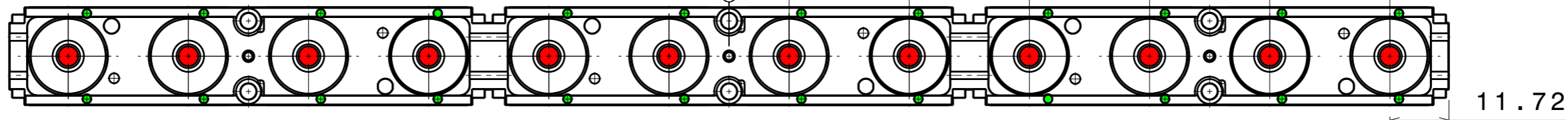
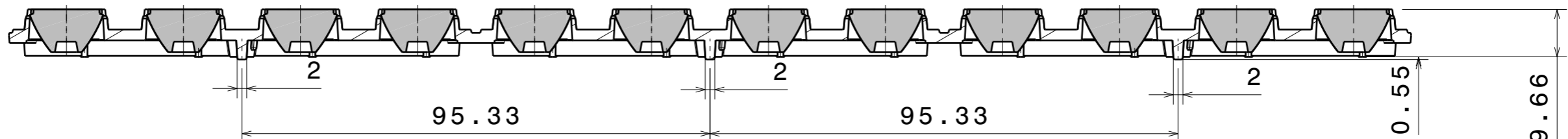


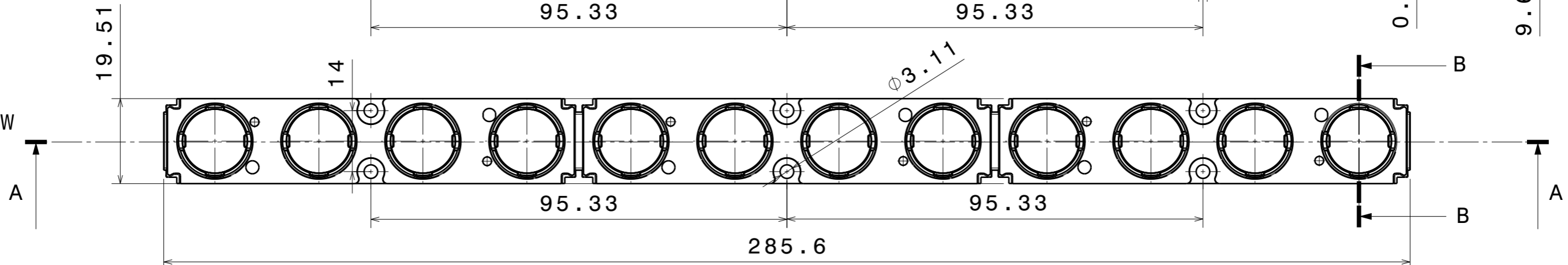
BOTTOM VIEW



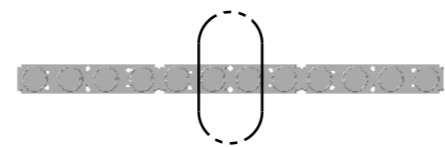
SECTION A-A



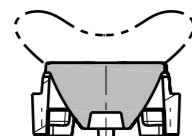
TOP VIEW



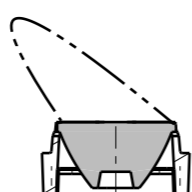
0-90 (oval) beam direction



0 (oval) beam direction



Section view B-B
BW (batwing) direction



Section view B-B
WAS (wall wash) direction

COMPONENTS

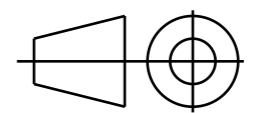
INDEX	PART NO	DESCRIPTION	MATERIAL	COLOUR
1	C14445	FLORENTINA-HLD	PC	black
2	C11004	TINA2-RS (12 pcs)	PMMA	clear
2	C12336	TINA2-SS (12 pcs)	PMMA	clear
2	C11417	TINA2-XP-D (12 pcs)	PMMA	clear
2	C11005	TINA2-XP-M (12 pcs)	PMMA	clear
2	F10835	TINA2-XP-W (12 pcs)	PMMA	clear
2	F11007	TINA-WW (12 pcs)	PMMA	clear
2	C11050	TINA2-XP-0 (12 pcs)	PMMA	clear
2	C15060	TINA2-O-WAS (12 pcs)	PMMA	clear
2	F16390	TINA-BW (12 pcs)	PMMA	clear

MECHANICAL DRAWING

PRODUCT
Florentina-12x1

Plastic moulding general tolerances according to DIN 16901-130 and applies if not otherwise shown in the drawing. Silicone moulding general tolerances according to ISO 3302-1 Class M3 and applies if not otherwise shown in the drawing.

FIRST ANGLE PROJECTION:



SCALE 1:1

-

LEDiL®

This drawing is the property of LEDiL Oy. It may not be reproduced, copied or communicated without a written agreement with LEDiL Oy.

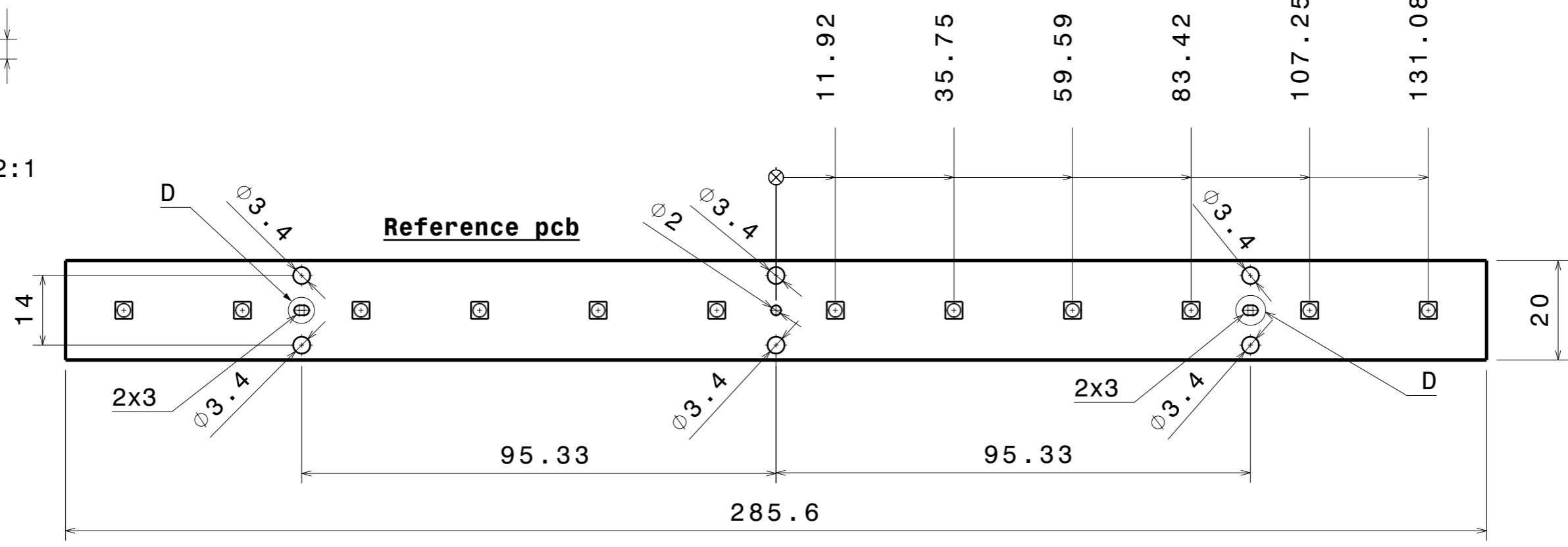
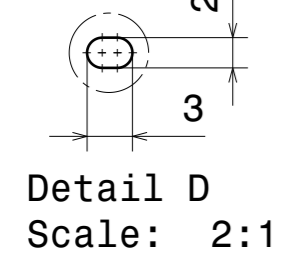
A3 SHEET 1/2

Notes

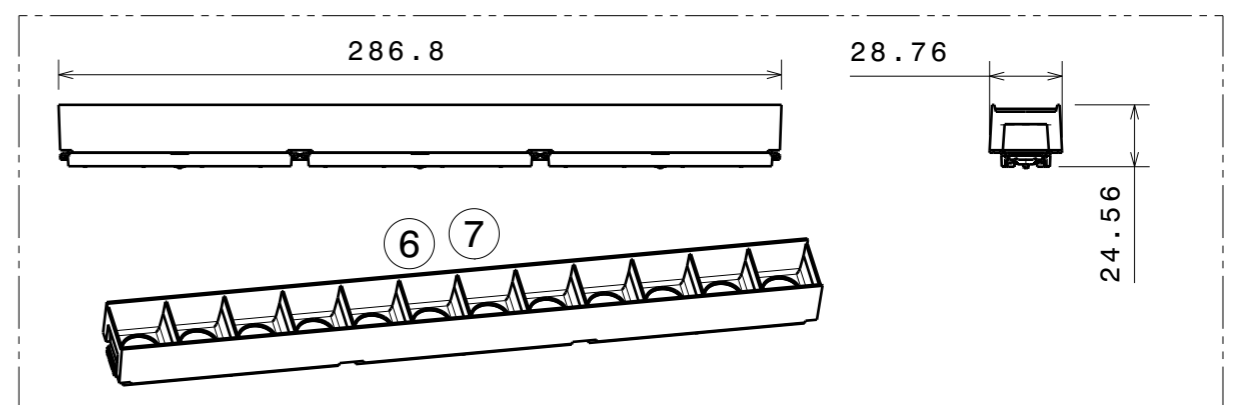
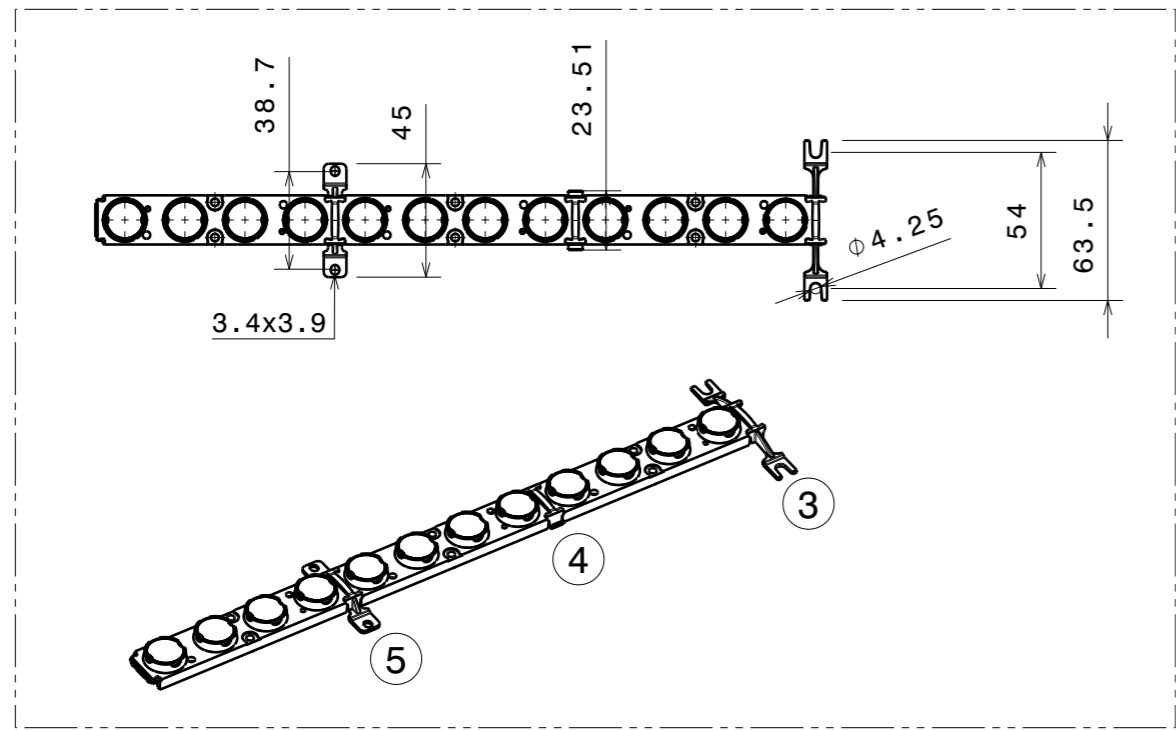
	PCB or Heat Sink level
	Led location see marking.
	Ensure LED fitting, see our web site and/or 3D model for part detail.
	Optional parts can be shown in page2.

H G F E D C B A

4



3



2

COMPONENTS

INDEX	PART NO	DESCRIPTION	MATERIAL	COLOUR
3	C14353	FLORENCE-1R-CLIP-A	PC	clear
4	C14409	FLORENCE-1R-CLIP-B	PC	clear
5	C14751	FLORENCE-1R-CLIP-C	PC	clear
6	C14446	FLORENTINA-SHD	PC	black
7	C15469	FLORENTINA-SHD-WHT	PC	white

MECHANICAL DRAWING

PRODUCT
Florentina-12x1

Plastic moulding general tolerances according to DIN 16901-130 and applies if not otherwise shown in the drawing. Silicone moulding general tolerances according to ISO 3302-1 Class M3 and applies if not otherwise shown in the drawing.

FIRST ANGLE PROJECTION:



This drawing is the property of LEDiL Oy. It may not be reproduced, copied or communicated without a written agreement with LEDiL Oy.

SCALE	1:1	-	A3	SHEET 2/2
-------	-----	---	----	-----------

Notes

- PCB or Heat Sink level
- Led location see marking.
- Ensure LED fitting, see our web site and/or 3D model for part detail.
- Optional parts can be shown in page2.

H G B A

4

3

2

1