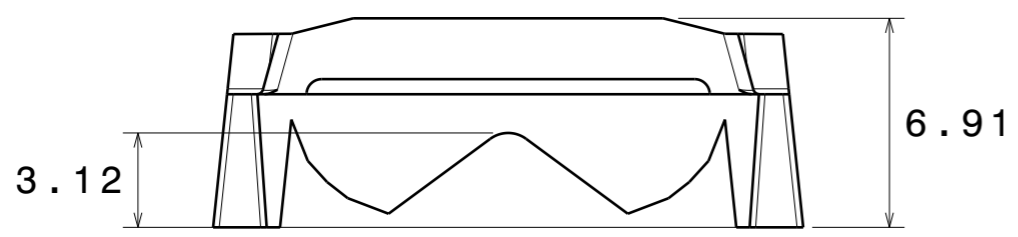
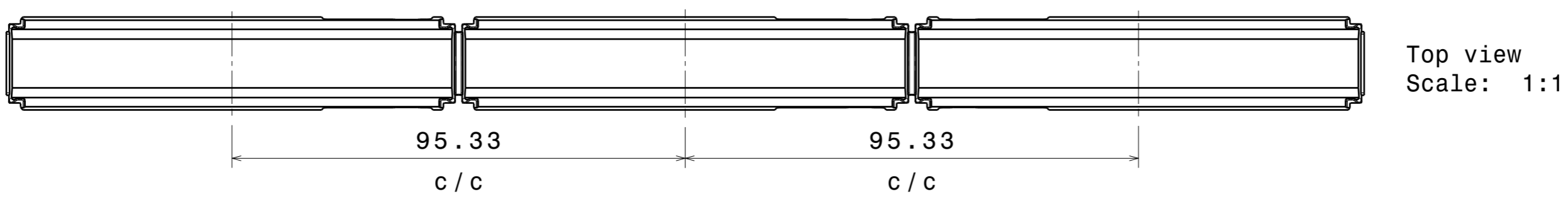
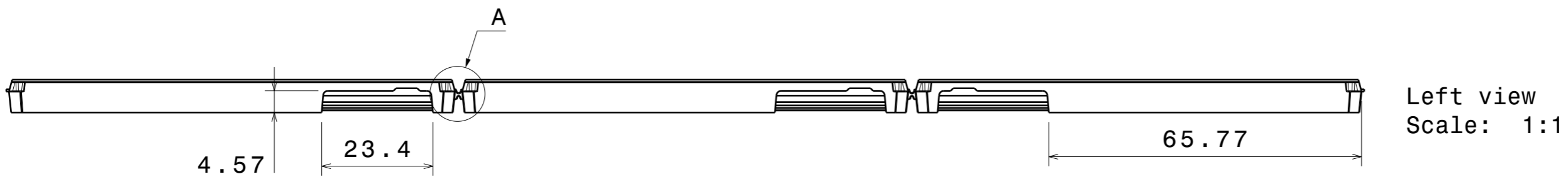
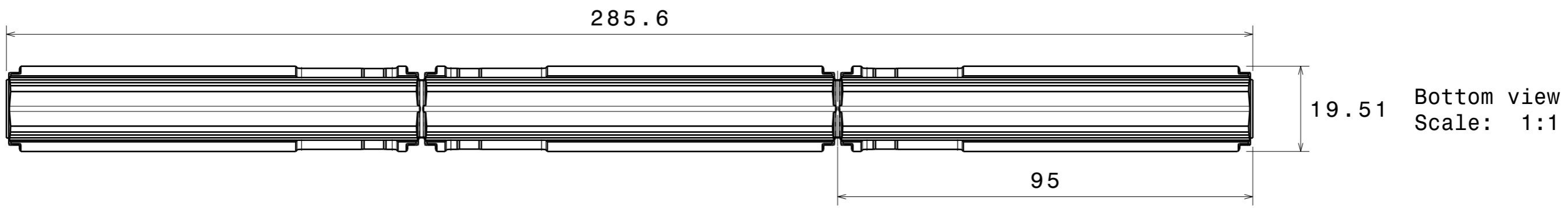
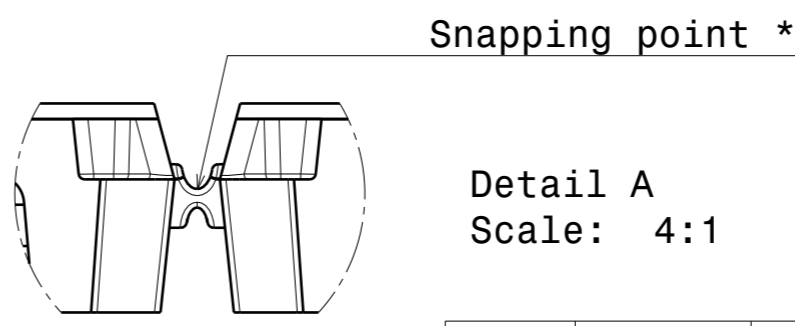


H G F E D C B A



Front view
Scale: 4:1



INDEX	PART NO	DESCRIPTION	MATERIAL	COLOUR
1	C14642	FLORENCE-1R-UP	PMMA 8N	clear

Tolerances if not otherwise shown
According to DIN ISO 2768-1
Linear measures:
up to 30mm class M, otherwise class C
According to DIN ISO 2768-2
Form and position: class L

LEDiL LediL Oy
Salorankatu 10
FIN 24240 SALO
Finland

THIRD ANGLE PROJECTION:

DRAWING TITLE
C14642_FLORENCE-1R-UP

This drawing is the property of LEDiL Oy. It may not be reproduced, copied or communicated without a written agreement with LEDiL Oy.

SIZE PART NUMBER
A3 C14642

SCALE 1:1 SHEET 1/1

* Optics can be snapped along this line and used also as single parts.

H G B A