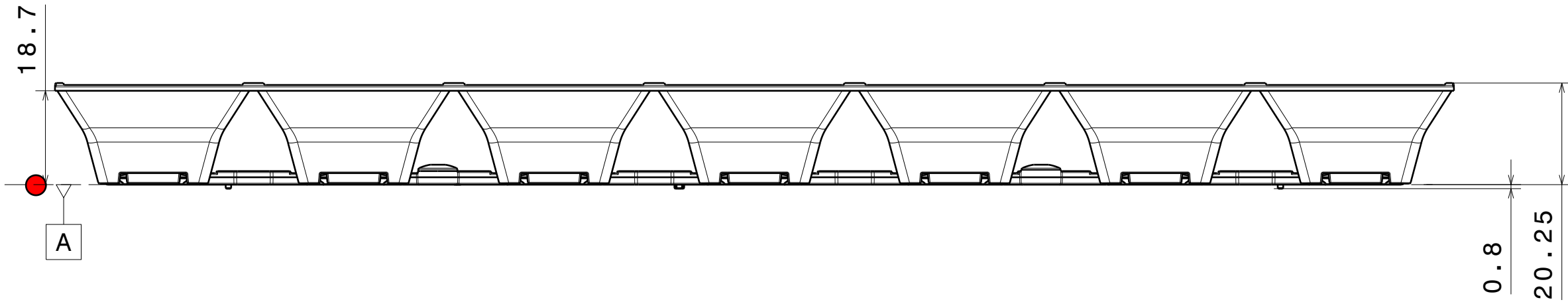
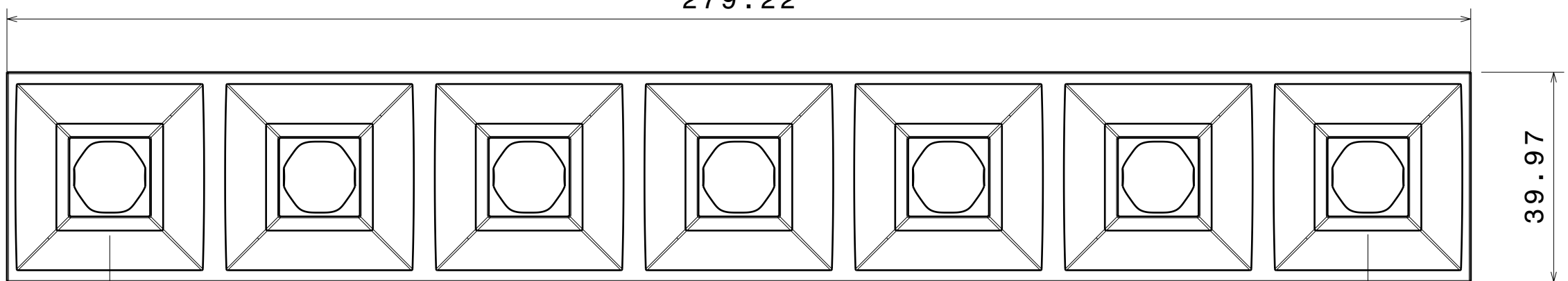


38.28



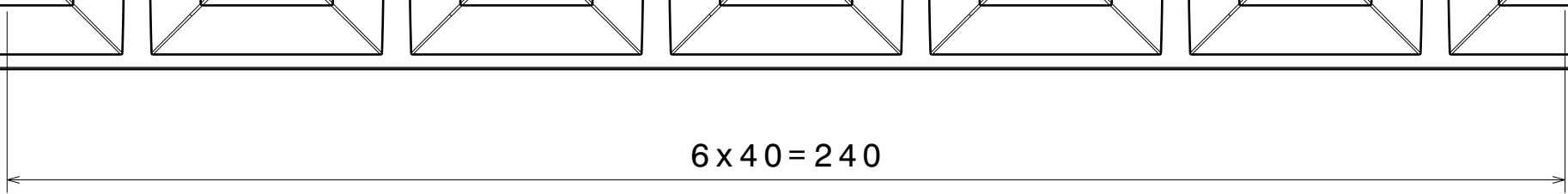
18.7

0.8
20.25

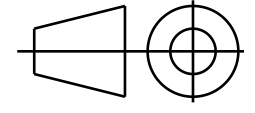


279.22

39.97



6x40=240



MECHANICAL DRAWING	
PRODUCT	DAISY-7x1-BW
Plastic moulding general tolerances according to DIN 16901-130 and applies if not otherwise shown in the drawing. Silicone moulding general tolerances according to ISO 3302-1 Class M3 and applies if not otherwise shown in the drawing.	FIRST ANGLE PROJECTION: 
SCALE 1:1	WEIGHT -

LEDiL

This drawing is the property of LEDiL Oy. It may not be copied or otherwise distributed without prior written permission from LEDiL Oy.

A3 SHEET 1/3

Notes

	PCB or heatsink level.
	LED location
	Ensure LED fitting from a product specific 3D model available from www.ledil.com
	For more details about installation please see LEDiL Installation Guide on www.ledil.com

4

3

2

1

4

3

2

1

H

G

F

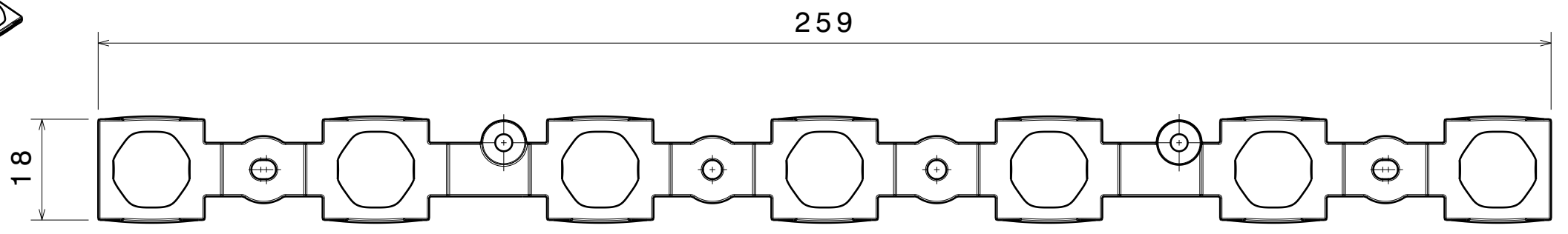
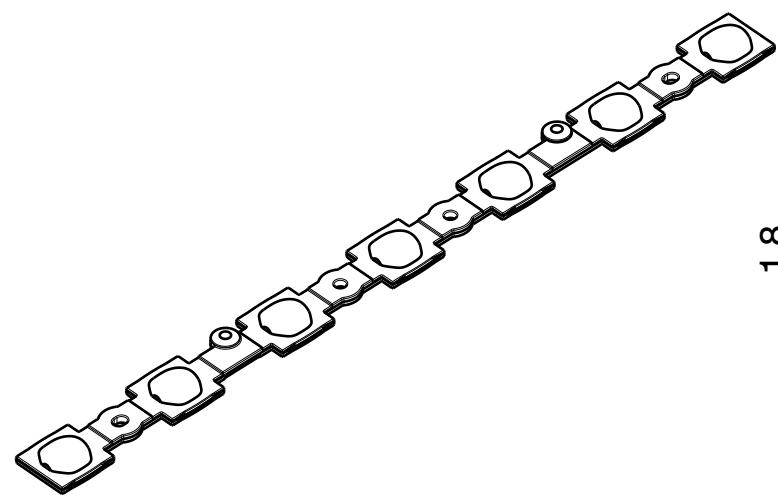
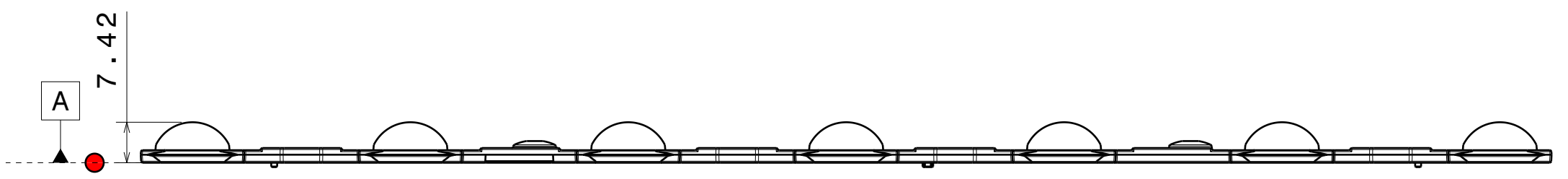
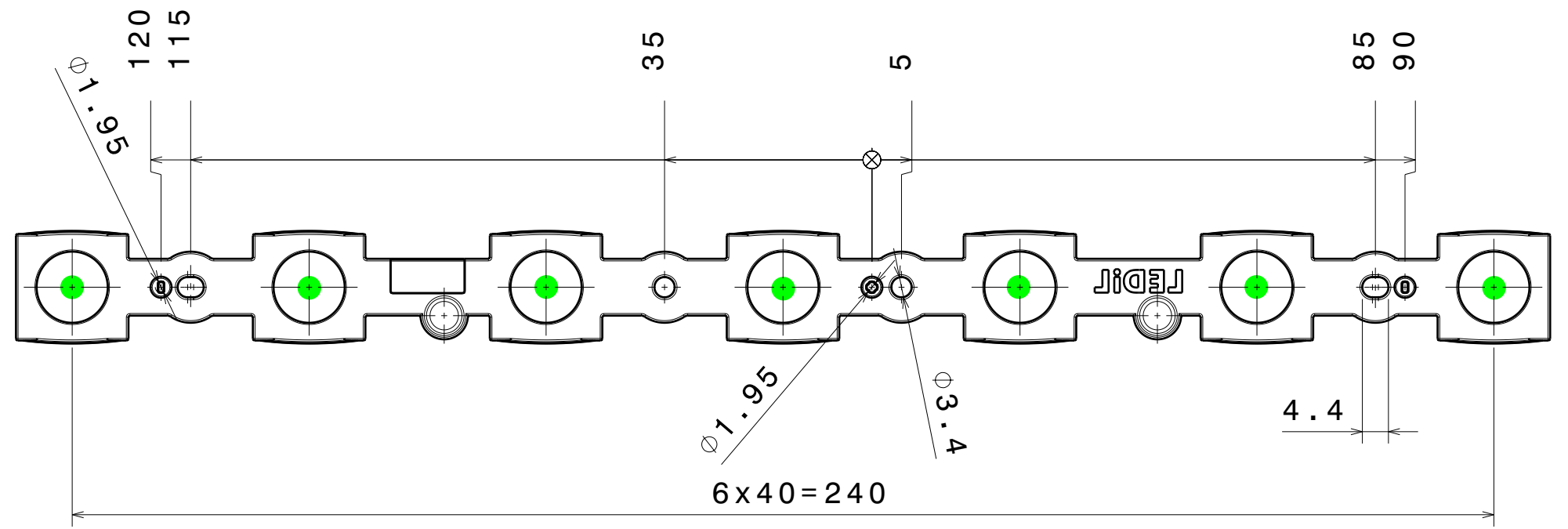
E

D

C

B

A



PART	TYPE	MATERIAL	COLOR / COATING
C18806_DAISSY-7X1-BW	LENS	PMMA	CLEAR

MECHANICAL DRAWING	
PRODUCT	DAISSY
Plastic moulding general tolerances according to DIN 16901-130 and applies if not otherwise shown in the drawing. Silicone moulding general tolerances according to ISO 3302-1 Class M3 and applies if not otherwise shown in the drawing.	FIRST ANGLE PROJECTION:
SCALE 1:1	WEIGHT -

LEDiL

This drawing is the property of LEDiL Oy. It may not be copied or otherwise distributed without prior written permission from LEDiL Oy.

A3 SHEET 2/3

Notes

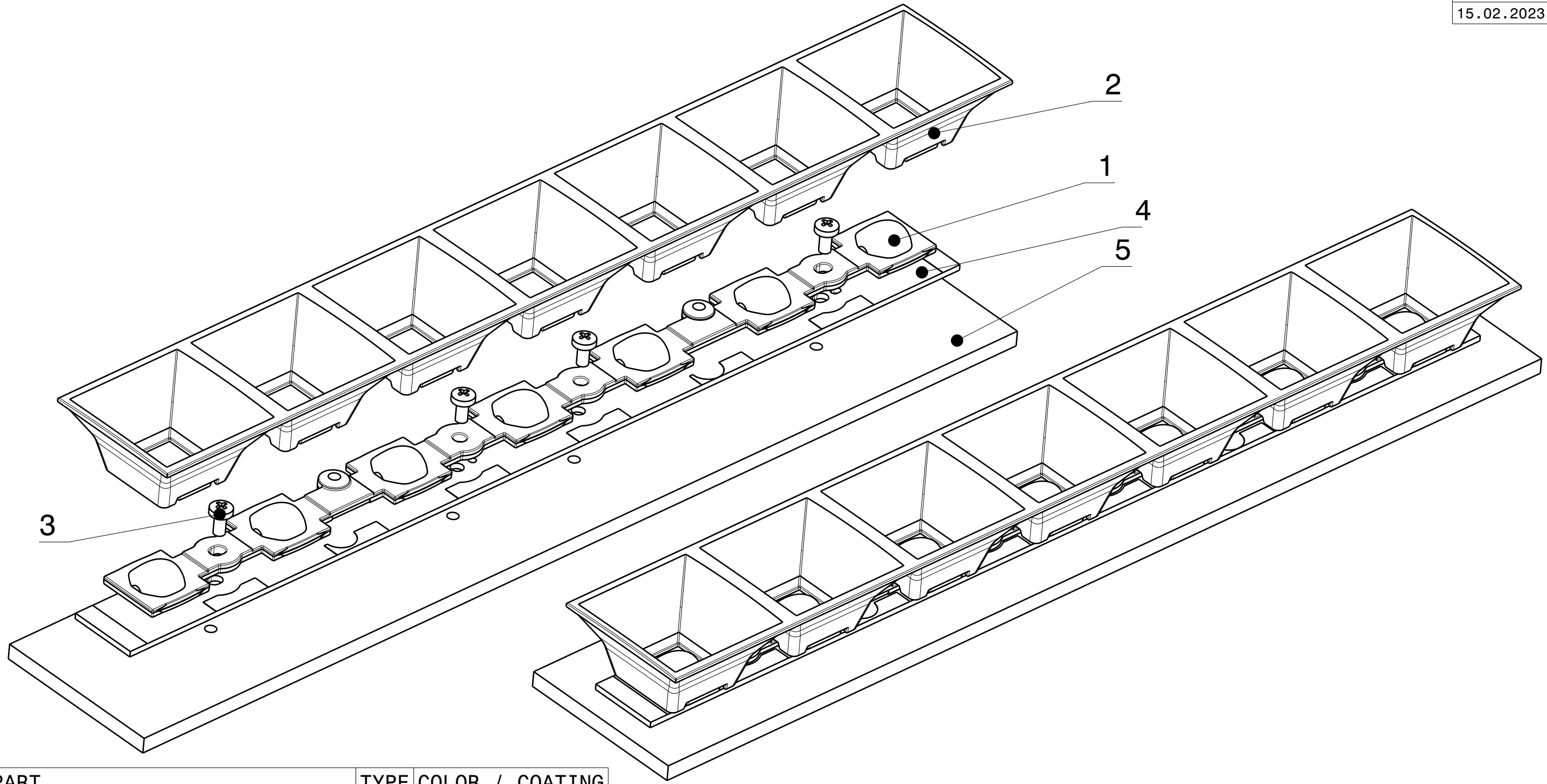
- PCB or heatsink level.
- LED location
- Ensure LED fitting from a product specific 3D model available from www.ledil.com
- For more details about installation please see LEDiL Installation Guide on www.ledil.com

H

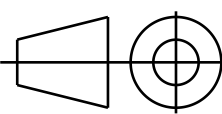
G

B

A



INDEX	PART	TYPE	COLOR / COATING
1	C18806_DAISY-7X1-BW	LENS	CLEAR
2	DAISY-7x1-SHD	SHD	
	C16872_DAISY-7X1-SHD	SHD	BLACK, GLOSS
	C17051_DAISY-7X1-SHD-MATT	SHD	BLACK, MATT
	C16876_DAISY-7X1-SDH-WHT	SHD	WHITE, GLOSS
	C17225_DAISY-7X1-SHD-WHT-MATT	SHD	WHITE, MATT
	C17532_DAISY-7X1-SHD-MET	SHD	METAL, GLOSS
	C17533_DAISY-7X1-SHD-MET-MATT	SHD	METAL, MATT
3	M3 SCREW	-	-
4	PCB	-	-
5	PROFILE	-	-

MECHANICAL DRAWING		LEDiL
PRODUCT DAISY-7x1-BW		
Plastic moulding general tolerances according to DIN 16901-130 and applies if not otherwise shown in the drawing. Silicone moulding general tolerances according to ISO 3302-1 Class M3 and applies if not otherwise shown in the drawing.	FIRST ANGLE PROJECTION: 	This drawing is the property of LEDiL Oy. It may not be copied or otherwise distributed without prior written permission from LEDiL Oy.
SCALE 1:1	WEIGHT -	A3 SHEET 3/3