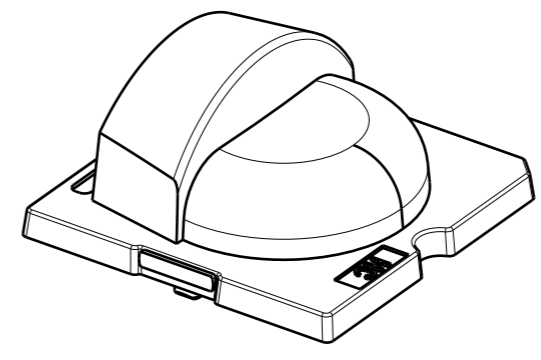
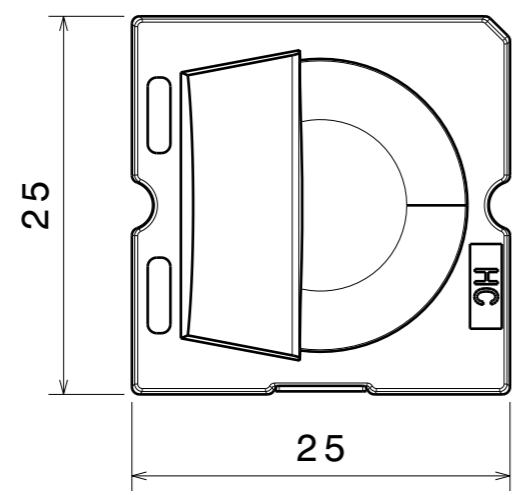
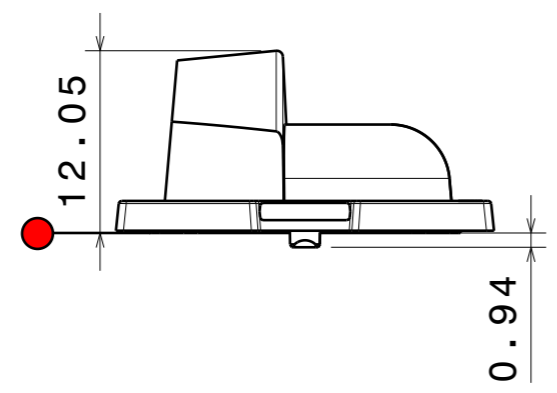
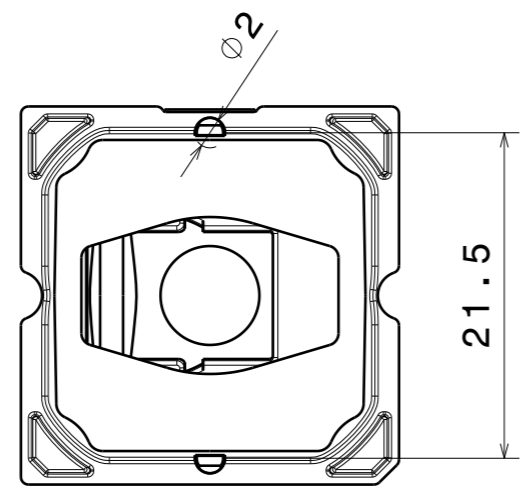


REV	DATE
001	02.01.2025



PART	TYPE	MATERIAL	COLOR / COATING
C18689_BELLA-SQ-HC	lens	PMMA	clear
C14564_ROSE-TAPE	tape	tape	black

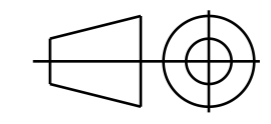
MECHANICAL DRAWING

PRODUCT **CA18980_BELLA-SQ-HC**

LEDiL

Plastic moulding general tolerances according to DIN 16901-130 and applies if not otherwise shown in the drawing. Silicone moulding general tolerances according to ISO 3302-1 Class M3 and applies if not otherwise shown in the drawing.

FIRST ANGLE PROJECTION:



This drawing is the property of LEDiL Oy. It may not be copied or otherwise distributed without prior written permission from LEDiL Oy.

SCALE 2:1

WEIGHT 27,7 g

A3 SHEET 1/1

Notes

	PCB or heatsink level.
	LED location
	Ensure LED fitting from a product specific 3D model available from www.ledil.com
	For more details about installation please see LEDiL Installation Guide on www.ledil.com