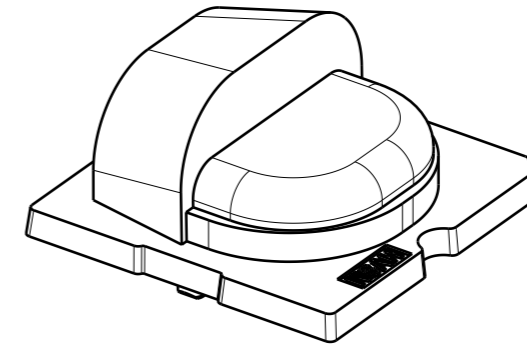
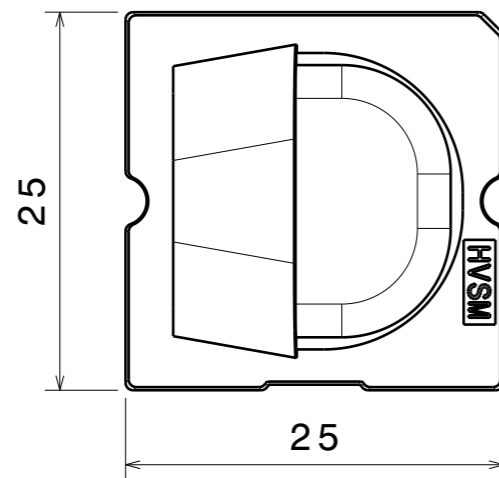
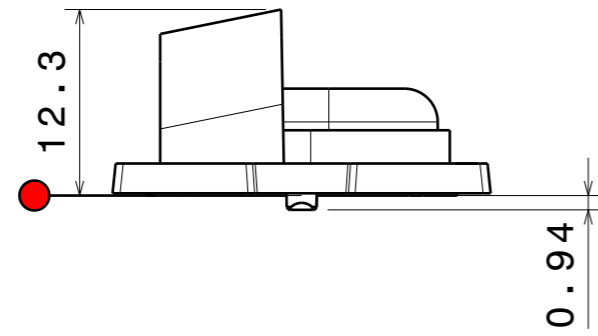
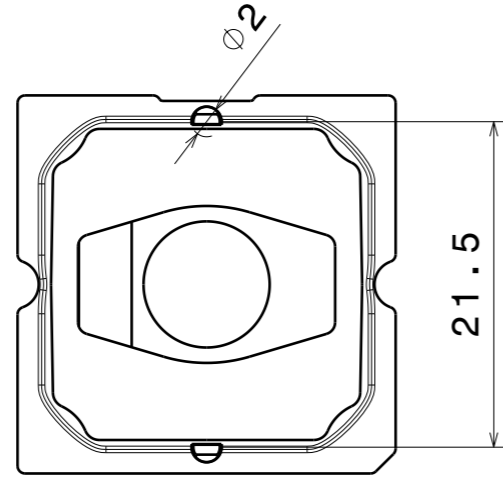


REV	DATE
001	02.01.2025



PART	TYPE	MATERIAL	COLOR / COATING
C18688_BELLA-SQ-HVSM	lens	PMMA	clear
C14564_ROSE-TAPE	tape	tape	black

<b>MECHANICAL DRAWING</b>		<b>LEDiL</b>
PRODUCT <b>CA18979_BELLA-SQ-HVSM</b>		
Plastic moulding general tolerances according to DIN 16901-130 and applies if not otherwise shown in the drawing. Silicone moulding general tolerances according to ISO 3302-1 Class M3 and applies if not otherwise shown in the drawing.	FIRST ANGLE PROJECTION: 	This drawing is the property of LEDiL Oy. It may not be copied or otherwise distributed without prior written permission from LEDiL Oy.
SCALE 2:1	WEIGHT 22,1 g	A3 SHEET 1/1

**Notes**

- PCB or heatsink level.
- LED location

Ensure LED fitting from a product specific 3D model available from [www.ledil.com](http://www.ledil.com)

For more details about installation please see LEDiL Installation Guide on [www.ledil.com](http://www.ledil.com)