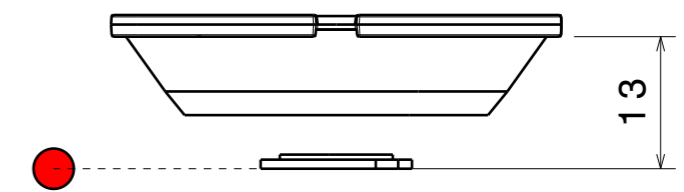
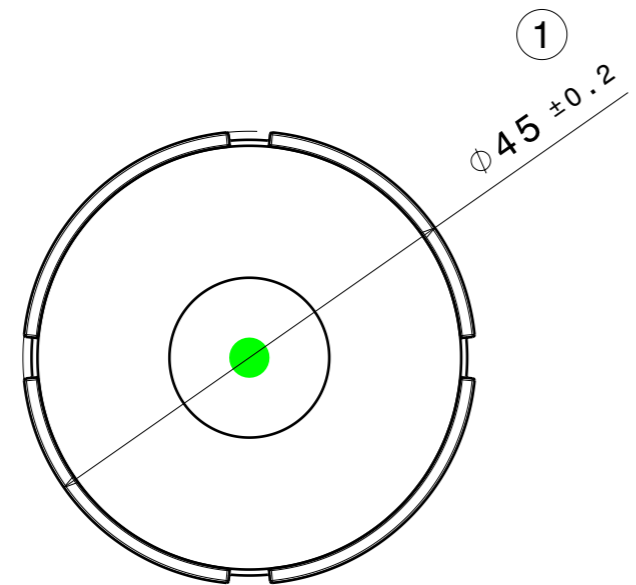
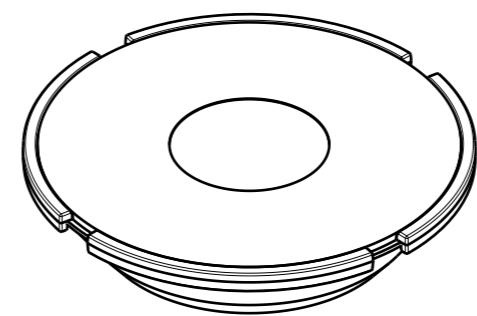
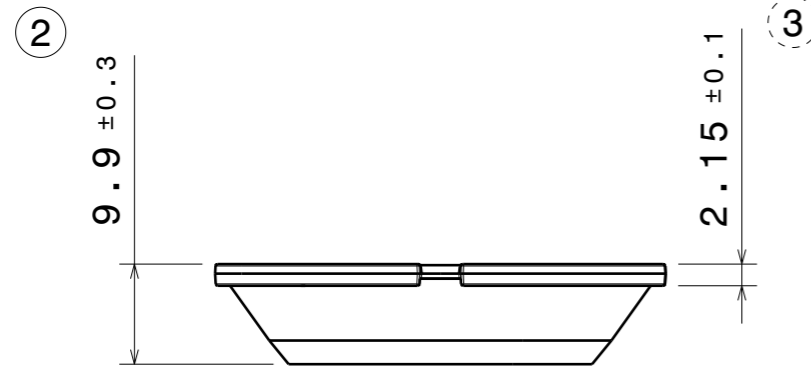


| INDEX | PART | TYPE | QTY | MATERIAL | COLOUR / COATING | ASSEMBLY CODES |
|-------|---------------------------|--------|-----|----------|------------------|-------------------------|
| 1 | C17791_ AMY-45-M | LENS | 1 | PMMA | Clear | |
| 2 | HOLDER B | HOLDER | 1 | | | |
| | C19577_ AMY-45-HLD2-B | | | PC | Black | CP19624_ AMY-45-M-B |
| | C19578_ AMY-45-HLD2-B-WHT | | | PC | White | CP19629_ AMY-45-M-B-WHT |

| | | |
|--|-----------------------------|---|
| MECHANICAL DRAWING | | LEDiL |
| PRODUCT AMY-45-M | | |
| Plastic moulding general tolerances according to DIN 16901-130 and applies if not otherwise shown in the drawing. Silicone moulding general tolerances according to ISO 3302-1 Class M3 and applies if not otherwise shown in the drawing. | FIRST ANGLE PROJECTION: | This drawing is the property of LEDiL Oy. It may not be copied or otherwise distributed without prior written permission from LEDiL Oy. |
| SCALE 4:3 | WEIGHT - | A3 SHEET 1/2 |

Notes

- PCB or heatsink level.
- LED location
- Ensure LED fitting from a product specific 3D model available from www.ledil.com
- For more details about installation please see LEDiL Installation Guide on www.ledil.com



| PART | TYPE | MATERIAL | COLOUR / COATING |
|-----------------|------|----------|------------------|
| C17791_AMY-45-M | LENS | PMMA | Clear |

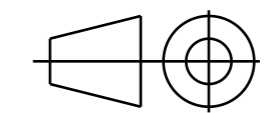
MECHANICAL DRAWING

PRODUCT
AMY-45-M

LEDiL

Plastic moulding general tolerances according to DIN 16901-130 and applies if not otherwise shown in the drawing. Silicone moulding general tolerances according to ISO 3302-1 Class M3 and applies if not otherwise shown in the drawing.

FIRST ANGLE PROJECTION:



This drawing is the property of LEDiL Oy. It may not be copied or otherwise distributed without prior written permission from LEDiL Oy.

SCALE 4:3

WEIGHT -

A3 SHEET 2/2

Notes

| | |
|--|---|
| | PCB or heatsink level. |
| | LED location |
| | Ensure LED fitting from a product specific 3D model available from www.ledil.com |
| | For more details about installation please see LEDiL Installation Guide on www.ledil.com |