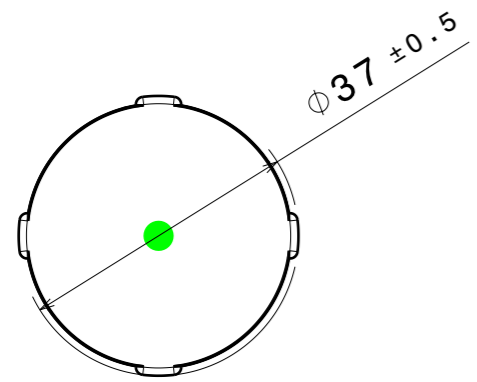
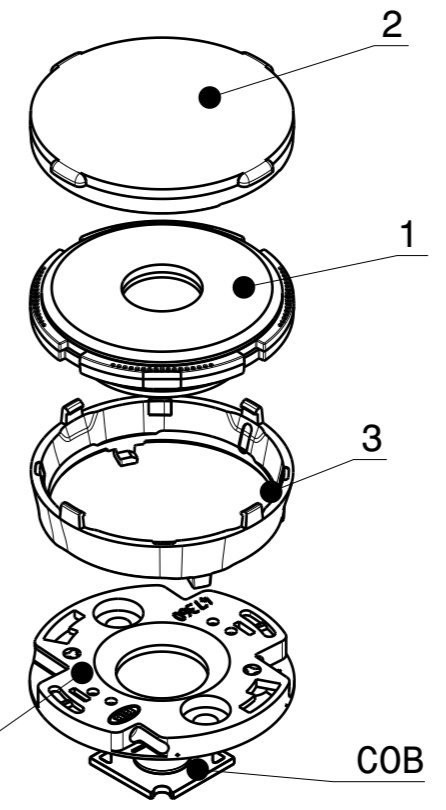
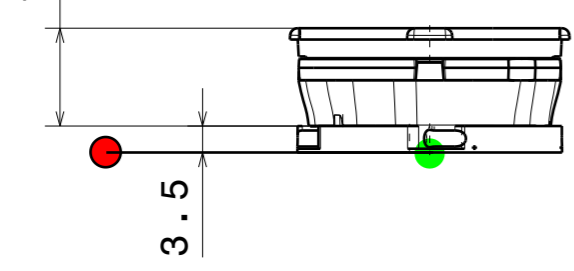


CP19166_ AMY-35-ZOOM-B2
 CP19172_ AMY-35-ZOOM-B2-WHT
 CP18843_ AMY-35-ZOOM-B2-PC
 CP19238_ AMY-35-ZOOM-B2-WHT-PC



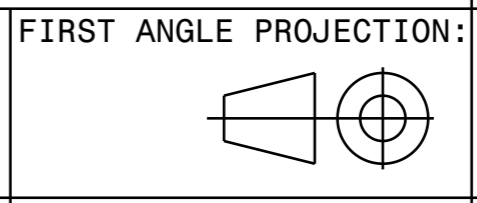
Top view
Scale: 1:1

INDEX	PART	TYPE	QTY	MATERIAL	COLOUR/COATING	ASSEMBLY CODES
1	AMY-35-ZOOM	LENS	1			
	C18159_ AMY-35-ZOOM			PMMA	CLEAR	
	C18838_ AMY-35-ZOOM-PC			PC	CLEAR	
2	C18165_ AMY-35-ZOOM-SUB	SUBLENS	1	PMMA	CLEAR	
3	HOLDER B					
	C19015_ AMY-35-HLD2-B			PC	BLACK	CP19166_ AMY-35-ZOOM-B2 CP18843_ AMY-35-ZOOM-B2-PC
	C19016_ AMY-35-HLD2-B-WHT			PC	WHITE	CP19172_ AMY-35-ZOOM-B2-WHT CP19238_ AMY-35-ZOOM-B2-WHT-PC

MECHANICAL DRAWING

PRODUCT
AMY-35-ZOOM

Plastic moulding general tolerances according to DIN 16901-130 and applies if not otherwise shown in the drawing.
 Silicone moulding general tolerances according to ISO 3302-1 Class M3 and applies if not otherwise shown in the drawing.



SCALE 1:1

WEIGHT -

LEDiL

This drawing is the property of LEDiL Oy. It may not be copied or otherwise distributed without prior written permission from LEDiL Oy.

A3 SHEET 1/4

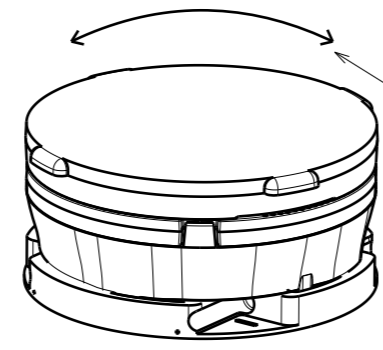
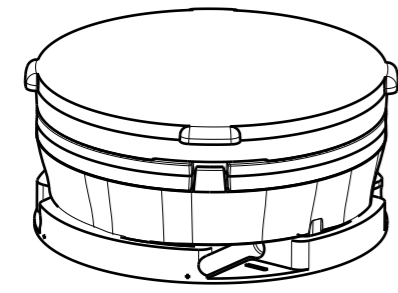
Notes

	PCB or heatsink level.
	LED location
	Ensure LED fitting from a product specific 3D model available from www.ledil.com
	For more details about installation please see LEDiL Installation Guide on www.ledil.com

BEAM ANGLE MARKING

Spot

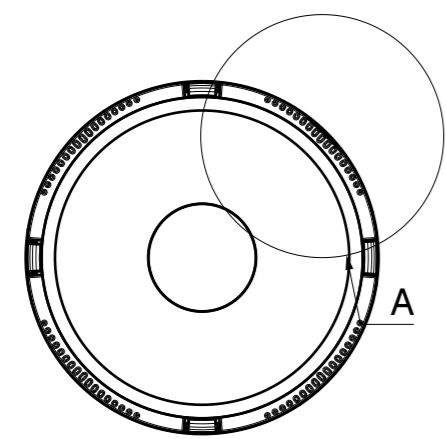
Wide



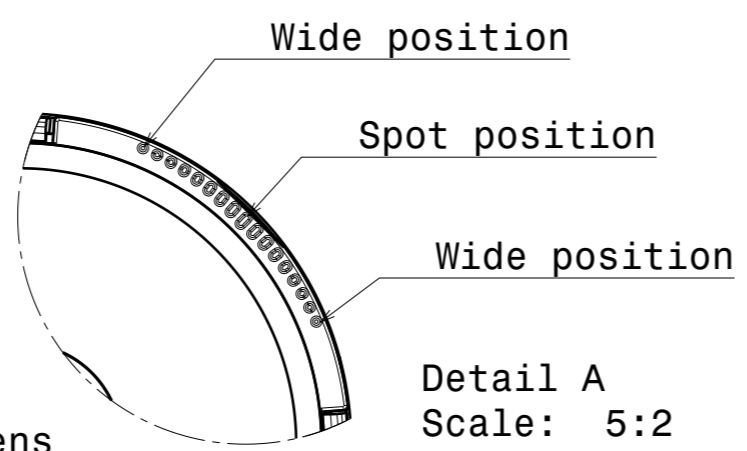
Assembly

SUB-lens rotate freely.
Beam angle changing smoothly.
spot - wide - spot - wide ...

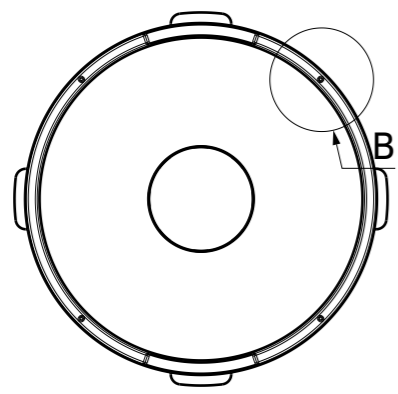
22.5 degrees rotation angle between spot and wide



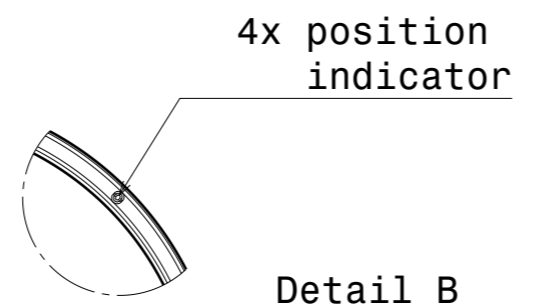
Base lens



Detail A
Scale: 5:2



SUB lens



Detail B
Scale: 5:2

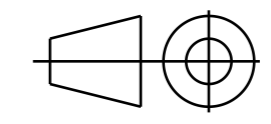
MECHANICAL DRAWING

PRODUCT **AMY-35-ZOOM**

LEDiL

Plastic moulding general tolerances according to DIN 16901-130 and applies if not otherwise shown in the drawing.
Silicone moulding general tolerances according to ISO 3302-1 Class M3 and applies if not otherwise shown in the drawing.

FIRST ANGLE PROJECTION:



This drawing is the property of LEDiL Oy. It may not be copied or otherwise distributed without prior written permission from LEDiL Oy.

SCALE 4:3

WEIGHT -

A3 SHEET 2/4

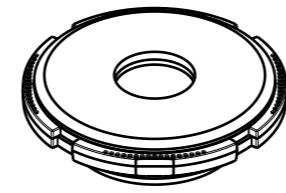
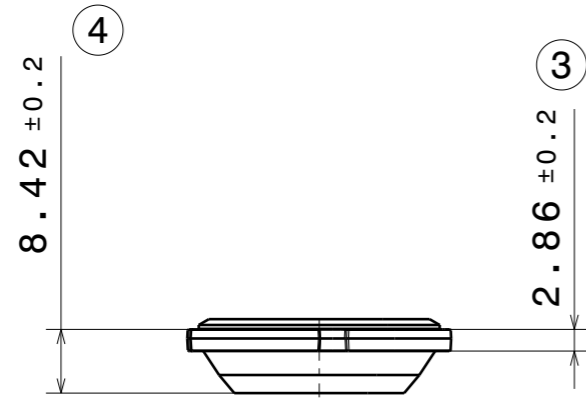
Notes

- PCB or heatsink level.
- LED location
- Ensure LED fitting from a product specific 3D model available from www.ledil.com
- For more details about installation please see LEDiL Installation Guide on www.ledil.com

H G F E D C B A

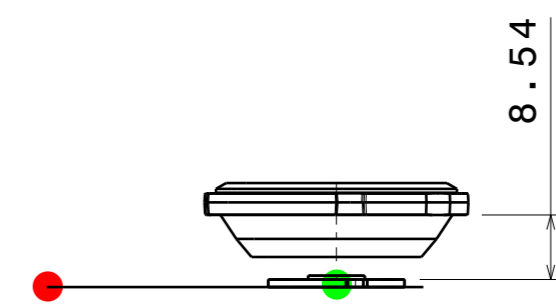
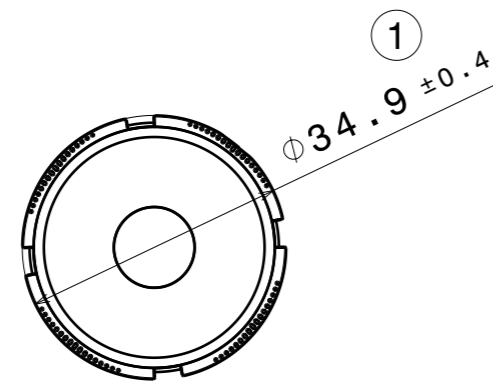
4

4



3

3



2

2

PART	TYPE	MATERIAL	COLOR / COATING
C18159_AMY-35-ZOOM	LENS	PMMA	CLEAR
C18838_AMY-35-ZOOM-PC	LENS	PC	CLEAR

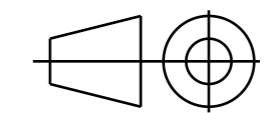
MECHANICAL DRAWING

PRODUCT **AMY-35-ZOOM**

LEDiL

Plastic moulding general tolerances according to DIN 16901-130 and applies if not otherwise shown in the drawing. Silicone moulding general tolerances according to ISO 3302-1 Class M3 and applies if not otherwise shown in the drawing.

FIRST ANGLE PROJECTION:



This drawing is the property of LEDiL Oy. It may not be copied or otherwise distributed without prior written permission from LEDiL Oy.

SCALE	1:1	WEIGHT	-	A3	SHEET 3/4
-------	-----	--------	---	----	-----------

H G B A

1

1

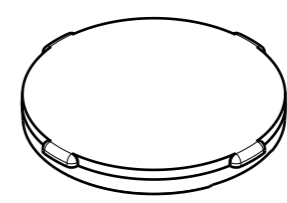
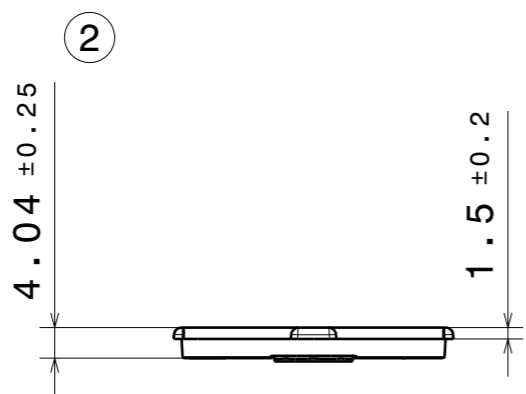
Notes

● PCB or heatsink level.
● LED location
Ensure LED fitting from a product specific 3D model available from www.ledil.com
For more details about installation please see LEDiL Installation Guide on www.ledil.com

H G F E D C B A

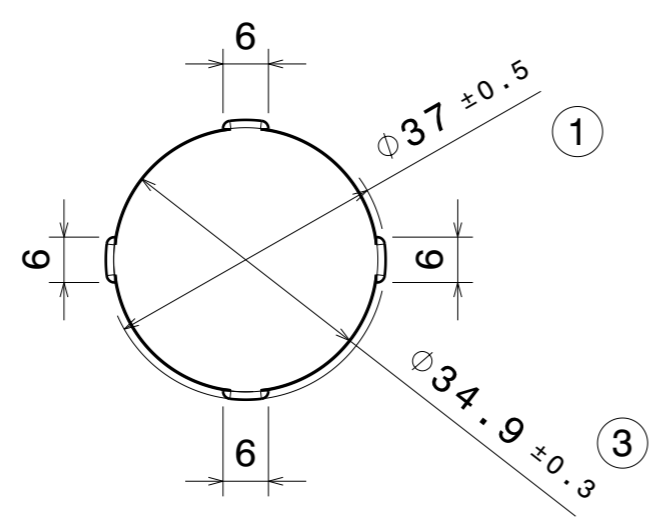
4

4



3

3



2

2

1

1

Notes

- PCB or heatsink level.
- LED location
- Ensure LED fitting from a product specific 3D model available from www.ledil.com
- For more details about installation please see LEDiL Installation Guide on www.ledil.com

PART	TYPE	QTY	MATERIAL	COLOUR/COATING
C18165_AMY-35-ZOOM-SUB	SUBLENS	1	PMMA	CLEAR

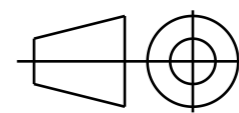
MECHANICAL DRAWING

PRODUCT **AMY-35-ZOOM**

LEDiL

Plastic moulding general tolerances according to DIN 16901-130 and applies if not otherwise shown in the drawing. Silicone moulding general tolerances according to ISO 3302-1 Class M3 and applies if not otherwise shown in the drawing.

FIRST ANGLE PROJECTION:



This drawing is the property of LEDiL Oy. It may not be copied or otherwise distributed without prior written permission from LEDiL Oy.

SCALE	1:1	WEIGHT	-	A3	SHEET 4/4
-------	-----	--------	---	----	-----------

H G F E D C B A