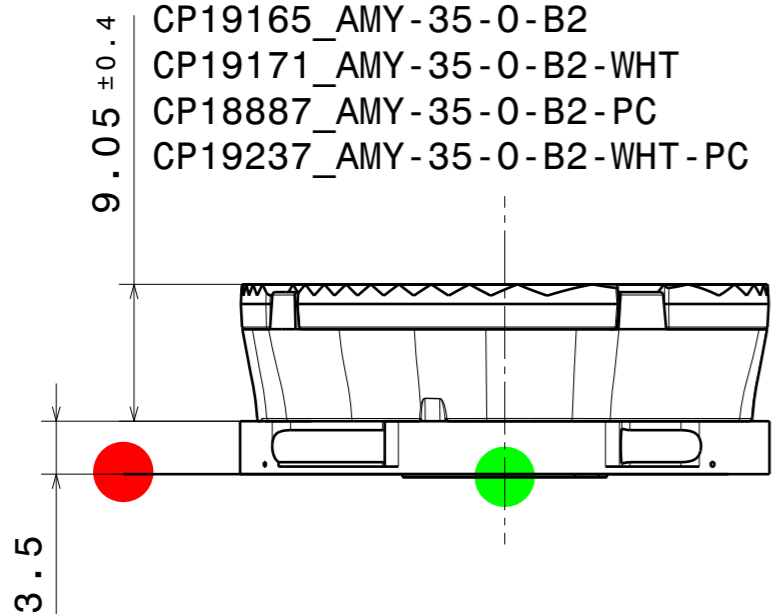
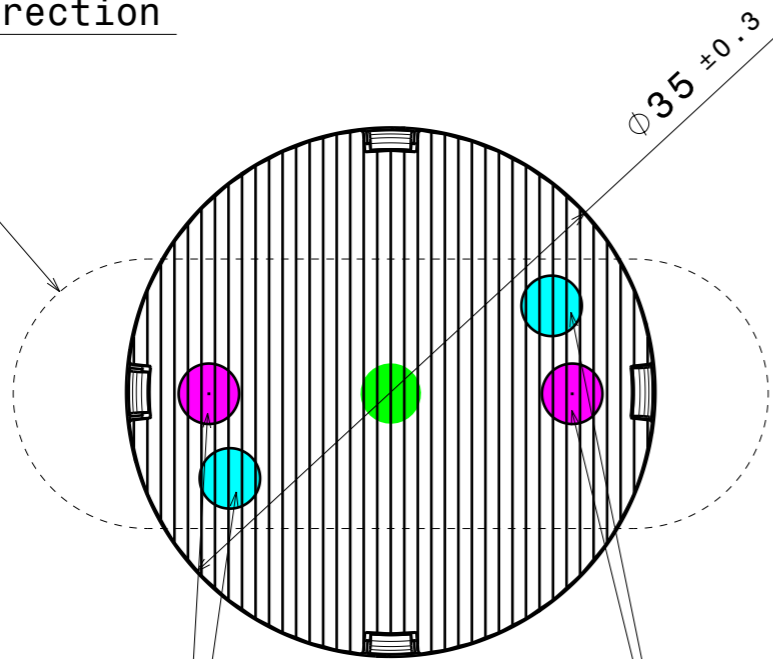


CP19165\_ AMY-35-0-B2  
 CP19171\_ AMY-35-0-B2-WHT  
 CP18887\_ AMY-35-0-B2-PC  
 CP19237\_ AMY-35-0-B2-WHT-PC



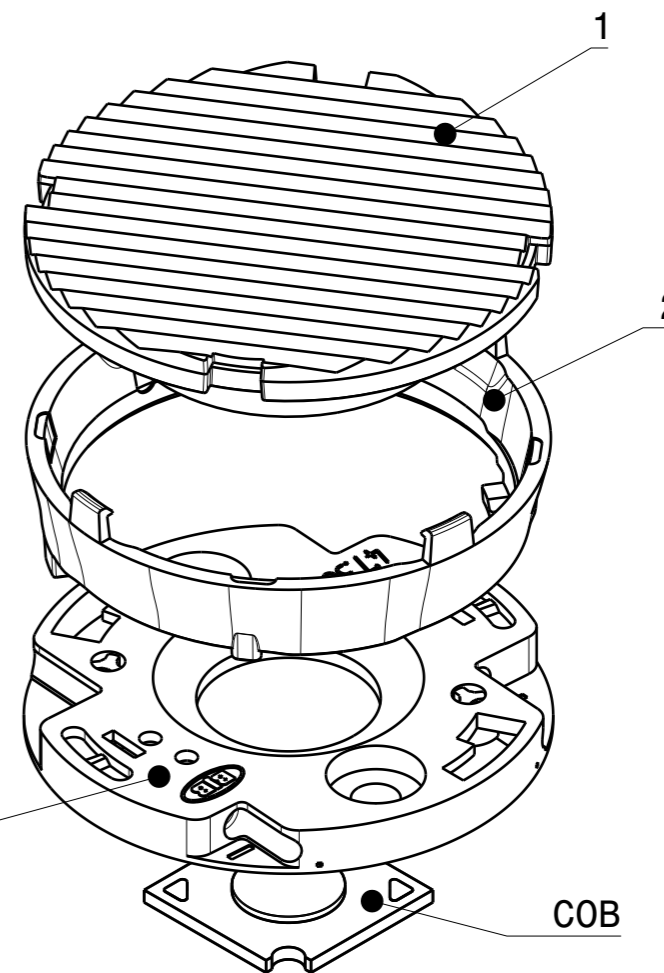
Beam direction



Screw holes:  
 ● HEKLA SOCKET-B-35  
 ● Others  
 Screw hole positions  
 to be checked  
 per socket/connector

Notes

- PCB or heatsink level.
- LED location
- Ensure LED fitting from a product specific 3D model available from [www.ledil.com](http://www.ledil.com)
- For more details about installation please see LEDiL Installation Guide on [www.ledil.com](http://www.ledil.com)



Connector  
 BJB / B+W 35mm-interface

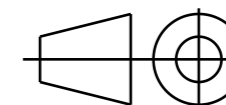
INDEX	PART	TYPE	QTY	MATERIAL	COLOUR/COATING	ASSEMBLY CODES
1	AMY-35-0	LENS	1			
	C18491_ AMY-35-0			PMMA	CLEAR	
	C18886_ AMY-35-0-PC			PC	CLEAR	
2	HOLDER B	HOLDER	1			
	C19015_ AMY-35-HLD2-B			PC	BLACK	CP19165_ AMY-35-0-B2 CP18887_ AMY-35-0-B2-PC
	C19016_ AMY-35-HLD2-B-WHT			PC	WHITE	CP19171_ AMY-35-0-B2-WHT CP19237_ AMY-35-0-B2-WHT-PC

MECHANICAL DRAWING

PRODUCT  
**AMY-35-0**

Plastic moulding general tolerances according to DIN 16901-130 and applies if not otherwise shown in the drawing.  
 Silicone moulding general tolerances according to ISO 3302-1 Class M3 and applies if not otherwise shown in the drawing.

FIRST ANGLE PROJECTION:



SCALE 2:1

WEIGHT -

**LEDiL**

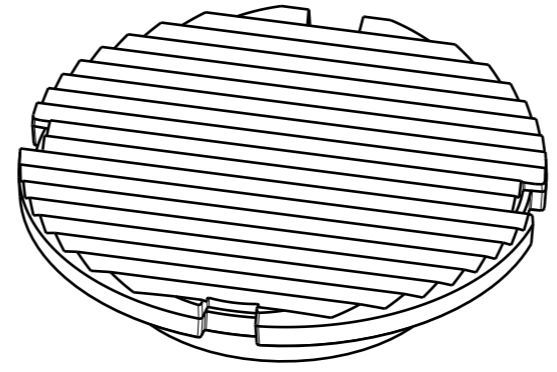
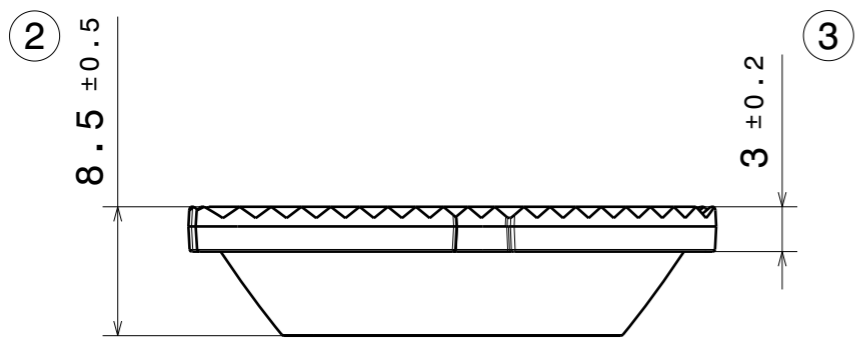
This drawing is the property of LEDiL Oy. It may not be copied or otherwise distributed without prior written permission from LEDiL Oy.

A3 SHEET 1/1

H G F E D C B A

4

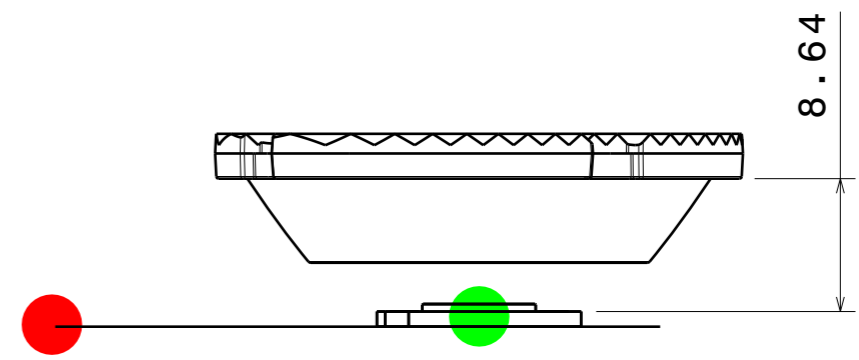
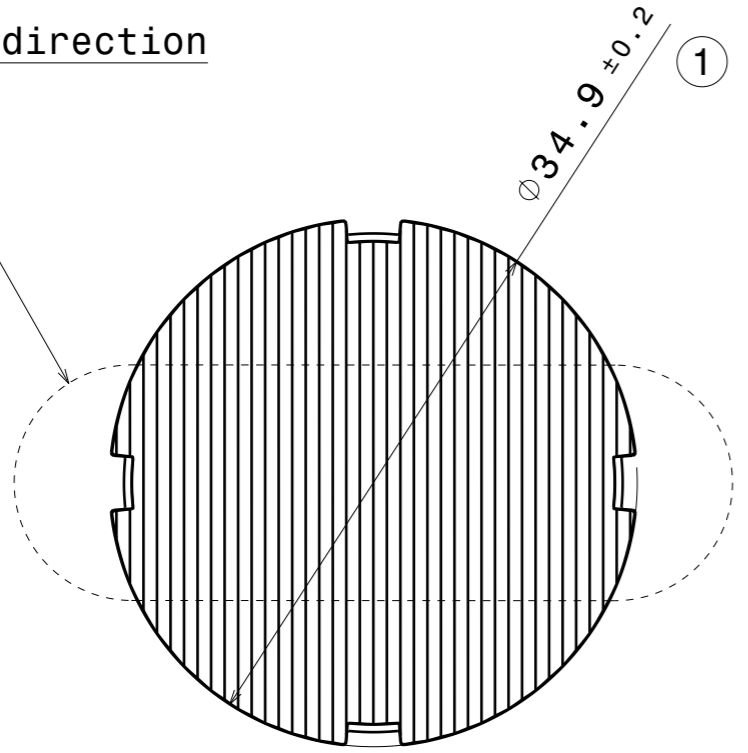
4



3

3

Beam direction



2

2

PART	TYPE	MATERIAL	COLOR / COATING
C18491_AMY-35-0	LENS	PMMA	CLEAR
C18886_AMY-35-0-PC	LENS	PC	CLEAR

1

1

**Notes**

- PCB or heatsink level.
- LED location
- Ensure LED fitting from a product specific 3D model available from [www.ledil.com](http://www.ledil.com)
- For more details about installation please see LEDiL Installation Guide on [www.ledil.com](http://www.ledil.com)

<b>MECHANICAL DRAWING</b>		<b>LEDiL</b>
PRODUCT <b>AMY-35-0</b>		
Plastic moulding general tolerances according to DIN 16901-130 and applies if not otherwise shown in the drawing. Silicone moulding general tolerances according to ISO 3302-1 Class M3 and applies if not otherwise shown in the drawing.	FIRST ANGLE PROJECTION: 	This drawing is the property of LEDiL Oy. It may not be copied or otherwise distributed without prior written permission from LEDiL Oy.
SCALE 2:1	WEIGHT -	A3 SHEET 1/1

H G B A