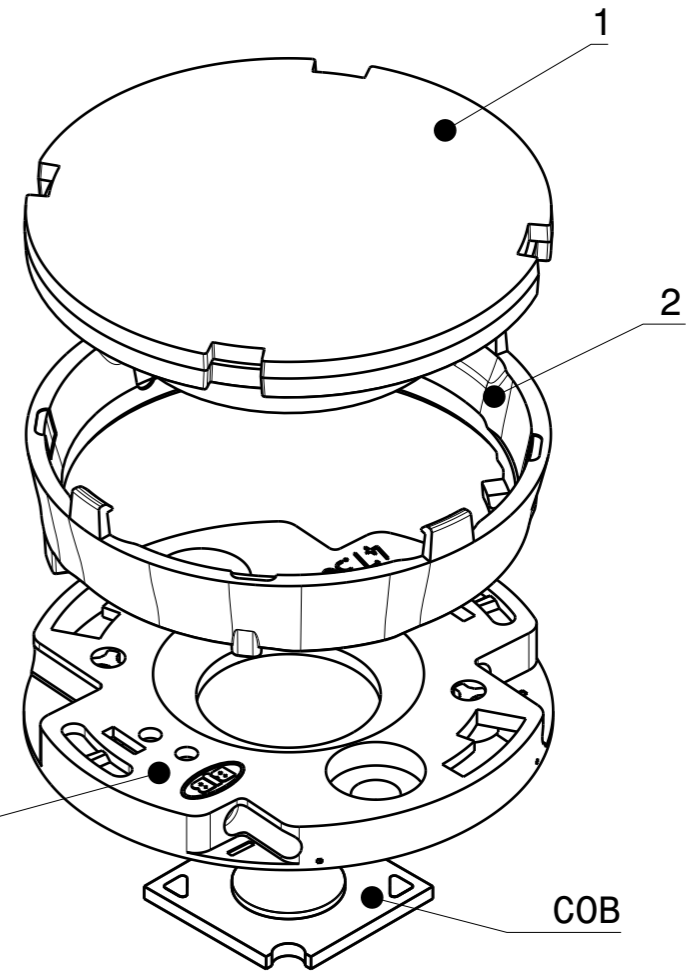
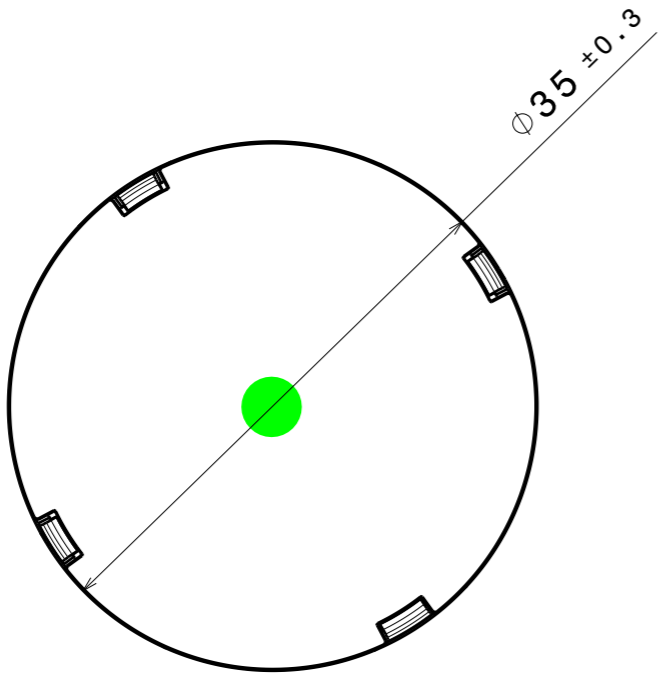
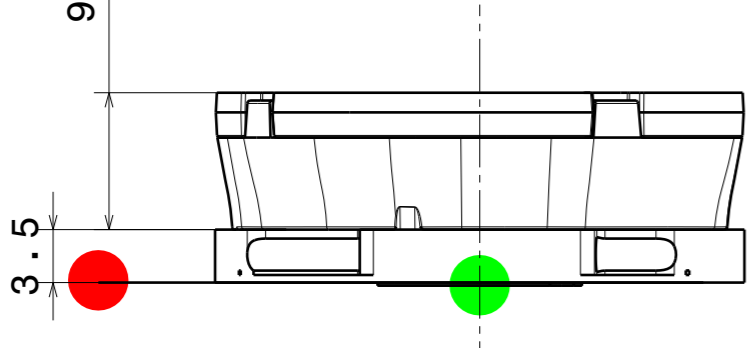


CP19162_ AMY-35-M-B2
 CP19168_ AMY-35-M-B2-WHT
 CP18840_ AMY-35-M-B2-PC
 CP19234_ AMY-35-M-B2-WHT-PC



Connector
BJB / B+W 35mm-interface

INDEX	PART	TYPE	QTY	MATERIAL	COLOUR/COATING	ASSEMBLY CODES
1	AMY-35-M	LENS	1			
	C17795_ AMY-35-M			PMMA	CLEAR	
	C18835_ AMY-35-M-PC			PC	CLEAR	
2	HOLDER B	HOLDER	1			
	C19015_ AMY-35-HLD2-B			PC	BLACK	CP19162_ AMY-35-M-B2 CP18840_ AMY-35-M-B2-PC
	C19016_ AMY-35-HLD2-B-WHT			PC	WHITE	CP19168_ AMY-35-M-B2-WHT CP19234_ AMY-35-M-B2-WHT-PC

MECHANICAL DRAWING		LEDiL
PRODUCT AMY-35-M		
Plastic moulding general tolerances according to DIN 16901-130 and applies if not otherwise shown in the drawing. Silicone moulding general tolerances according to ISO 3302-1 Class M3 and applies if not otherwise shown in the drawing.	FIRST ANGLE PROJECTION: 	This drawing is the property of LEDiL Oy. It may not be copied or otherwise distributed without prior written permission from LEDiL Oy.
SCALE 2:1	WEIGHT -	A3 SHEET 1/1

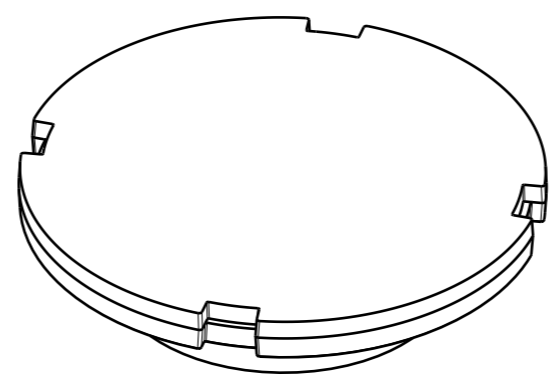
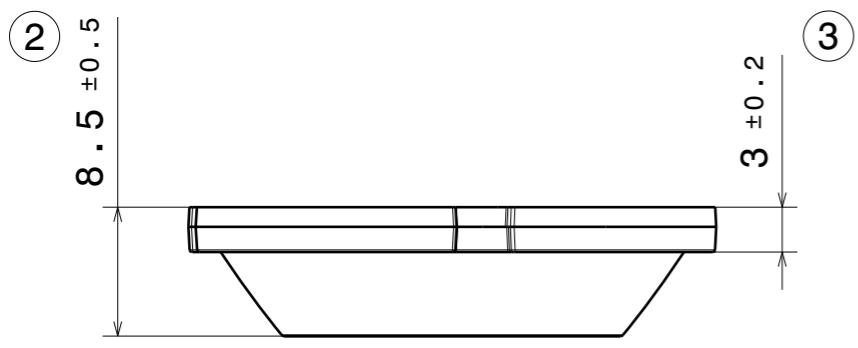
Notes

	PCB or heatsink level.
	LED location
	Ensure LED fitting from a product specific 3D model available from www.ledil.com
	For more details about installation please see LEDiL Installation Guide on www.ledil.com

H G F E D C B A

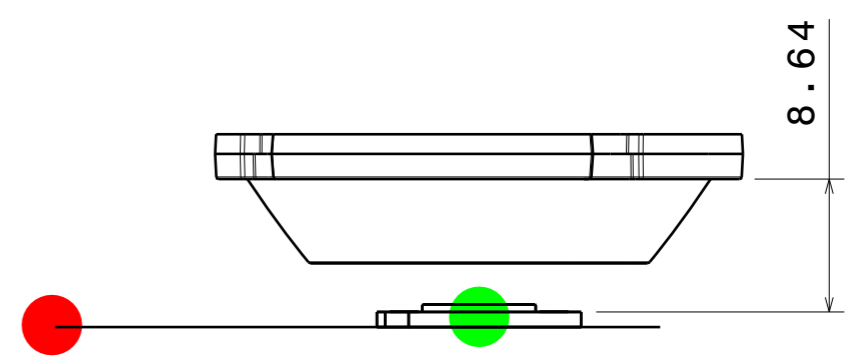
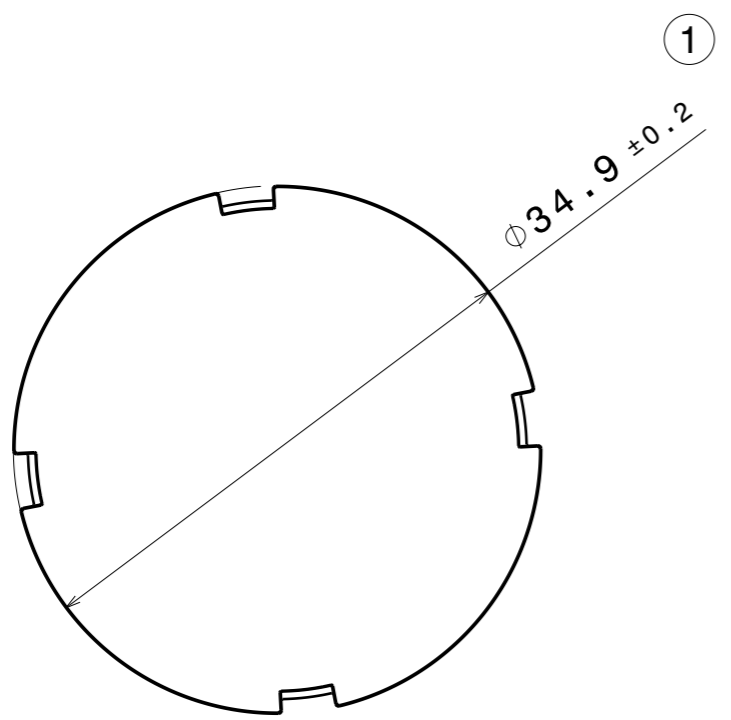
4

4



3

3



2

2

PART	TYPE	MATERIAL	COLOR / COATING
C17795_AMY-35-M	LENS	PMMA	CLEAR
C18835_AMY-35-M-PC	LENS	PC	CLEAR

1

1

Notes

● PCB or heatsink level.
● LED location
Ensure LED fitting from a product specific 3D model available from www.ledil.com
For more details about installation please see LEDiL Installation Guide on www.ledil.com

MECHANICAL DRAWING		LEDiL
PRODUCT AMY-35-M		
Plastic moulding general tolerances according to DIN 16901-130 and applies if not otherwise shown in the drawing. Silicone moulding general tolerances according to ISO 3302-1 Class M3 and applies if not otherwise shown in the drawing.	FIRST ANGLE PROJECTION: 	This drawing is the property of LEDiL Oy. It may not be copied or otherwise distributed without prior written permission from LEDiL Oy.
SCALE 2:1	WEIGHT -	A3 SHEET 1/1

H G F E D C B A