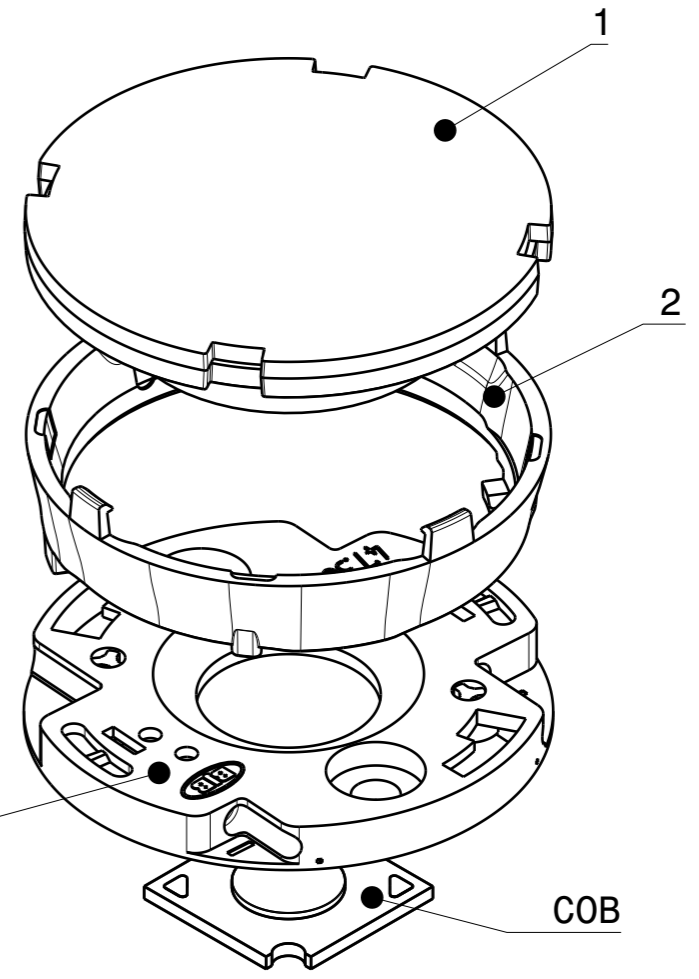
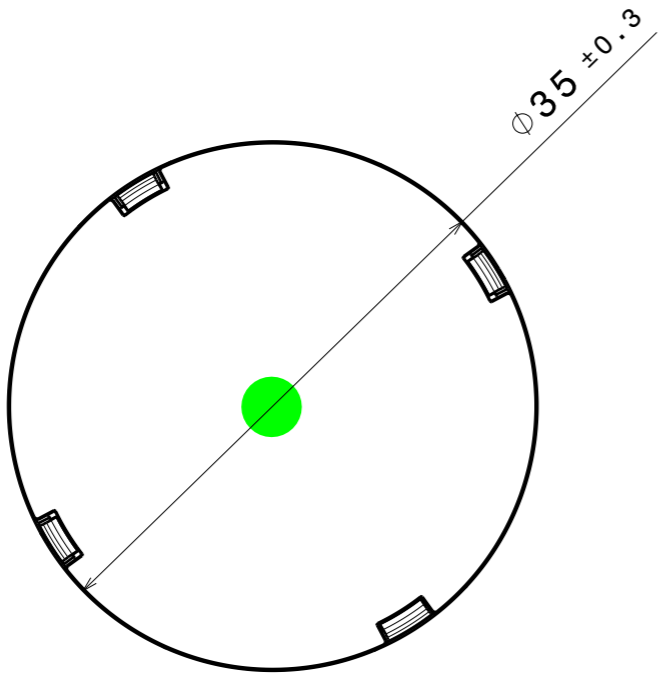
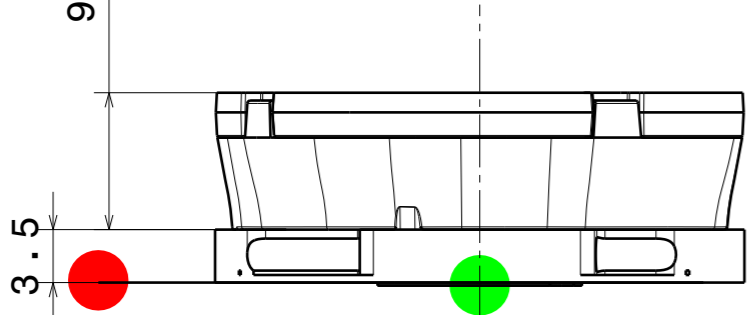


CP19161\_ AMY-35-S-B2  
 CP19167\_ AMY-35-S-B2-WHT  
 CP18839\_ AMY-35-S-B2-PC  
 CP19233\_ AMY-35-S-B2-WHT-PC



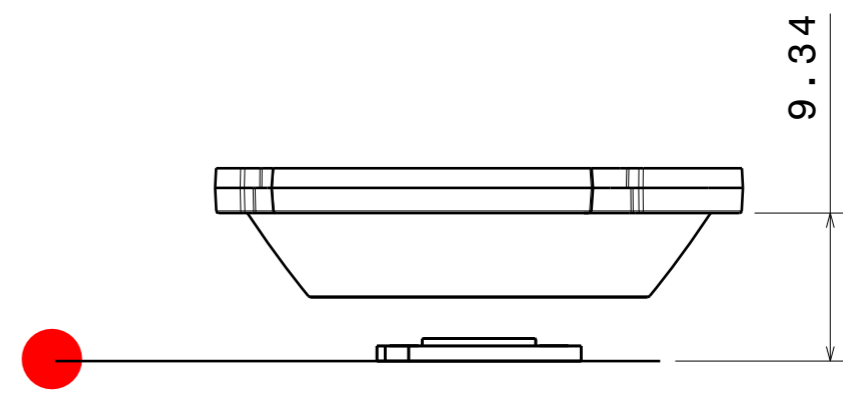
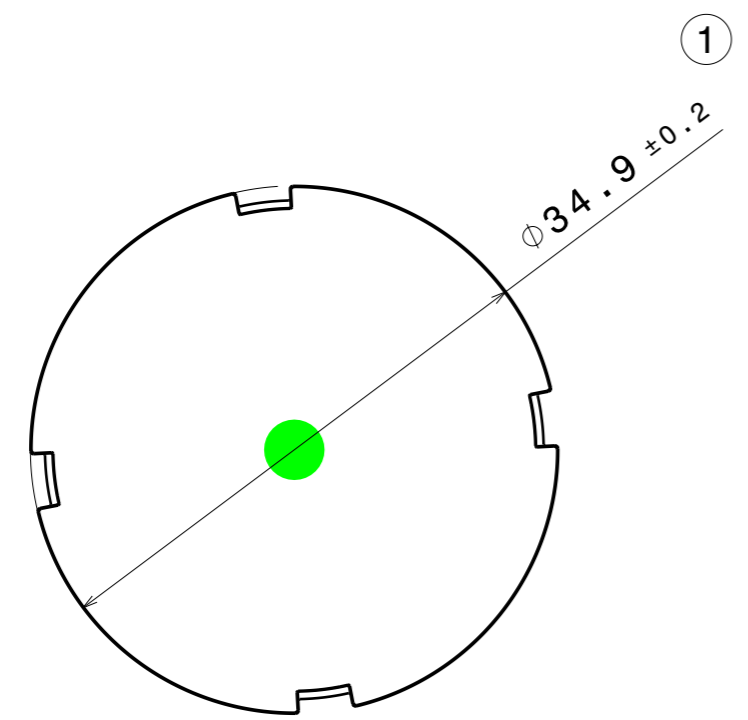
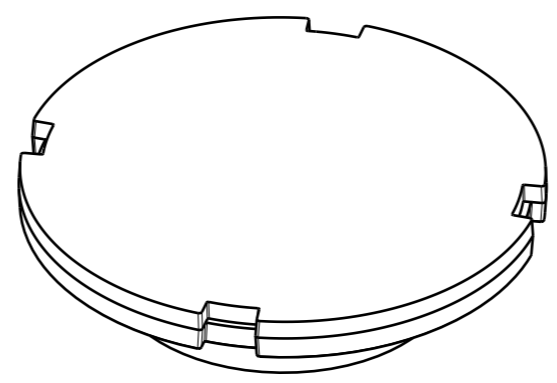
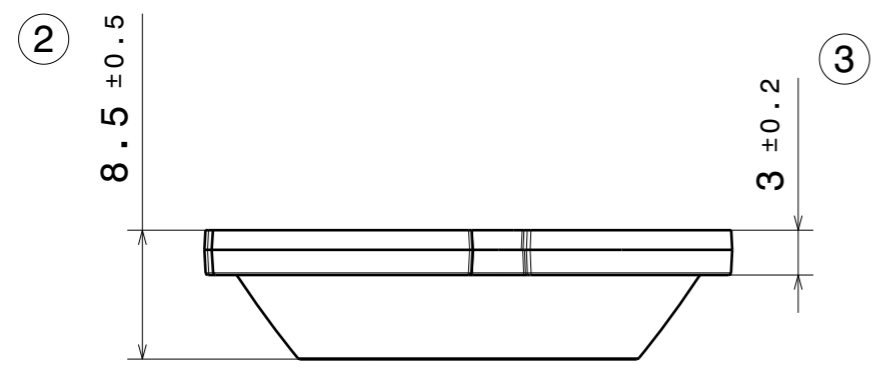
Connector  
BJB / B+W 35mm-interface

INDEX	PART	TYPE	QTY	MATERIAL	COLOUR/COATING	ASSEMBLY CODES
1	AMY-35-S	LENS	1			
	C17794_ AMY-35-S			PMMA	CLEAR	
	C18834_ AMY-35-S-PC			PC	CLEAR	
2	HOLDER B	HOLDER	1			
	C19015_ AMY-35-HLD2-B			PC	BLACK	CP19161_ AMY-35-S-B2 CP18839_ AMY-35-S-B2-PC
	C19016_ AMY-35-HLD2-B-WHT			PC	WHITE	CP19167_ AMY-35-S-B2-WHT CP19233_ AMY-35-S-B2-WHT-PC

<b>MECHANICAL DRAWING</b>		<b>LEDiL</b>
PRODUCT <b>AMY-35-S</b>		
Plastic moulding general tolerances according to DIN 16901-130 and applies if not otherwise shown in the drawing. Silicone moulding general tolerances according to ISO 3302-1 Class M3 and applies if not otherwise shown in the drawing.	FIRST ANGLE PROJECTION: 	This drawing is the property of LEDiL Oy. It may not be copied or otherwise distributed without prior written permission from LEDiL Oy.
SCALE 2:1	WEIGHT -	A3 SHEET 1/1

**Notes**

	PCB or heatsink level.
	LED location
	Ensure LED fitting from a product specific 3D model available from <a href="http://www.ledil.com">www.ledil.com</a>
	For more details about installation please see LEDiL Installation Guide on <a href="http://www.ledil.com">www.ledil.com</a>



PART	TYPE	MATERIAL	COLOR / COATING
C17794_ AMY-35-S	LENS	PMMA	CLEAR
C18834_ AMY-35-S-PC	LENS	PC	CLEAR

<b>MECHANICAL DRAWING</b>	
PRODUCT	<b>AMY-35-S</b>
Plastic moulding general tolerances according to DIN 16901-130 and applies if not otherwise shown in the drawing. Silicone moulding general tolerances according to ISO 3302-1 Class M3 and applies if not otherwise shown in the drawing.	FIRST ANGLE PROJECTION: 
SCALE 2:1	WEIGHT -

**LEDiL**

This drawing is the property of LEDiL Oy. It may not be copied or otherwise distributed without prior written permission from LEDiL Oy.

A3 SHEET 1/1

**Notes**

	PCB or heatsink level.
	LED location
	Ensure LED fitting from a product specific 3D model available from <a href="http://www.ledil.com">www.ledil.com</a>
	For more details about installation please see LEDiL Installation Guide on <a href="http://www.ledil.com">www.ledil.com</a>