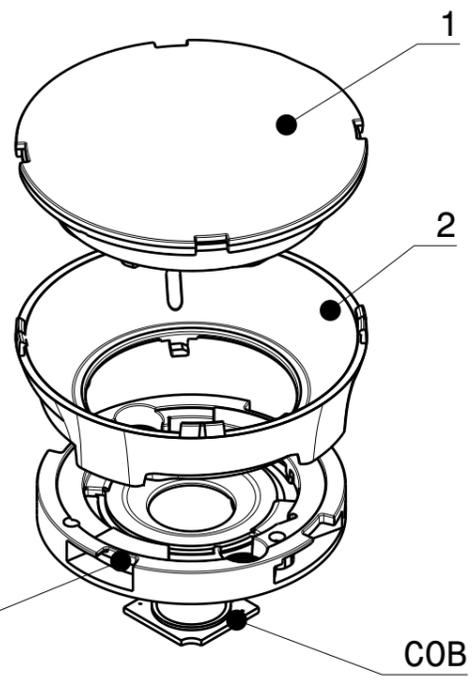
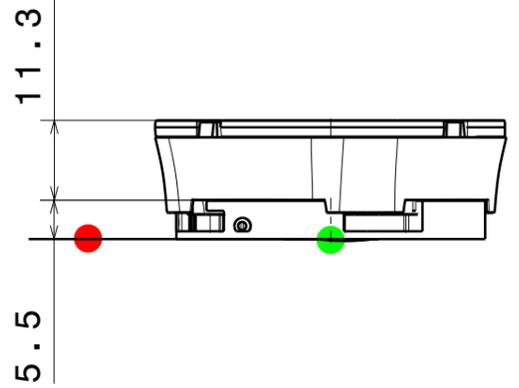


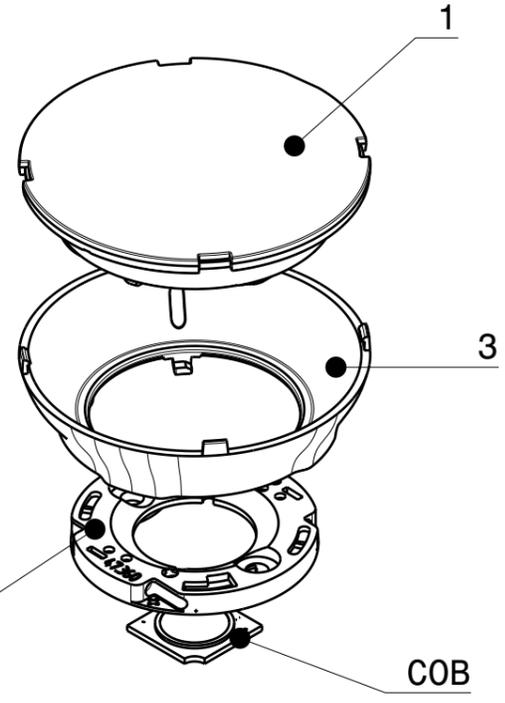
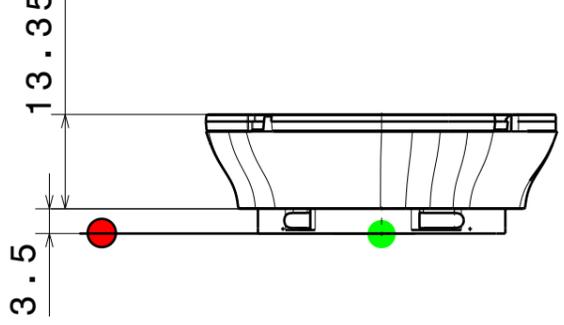
CP19128_ AMY-50-WAS-C2
CP19146_ AMY-50-WAS-C2-WHT



HEKLA
Connector

COB

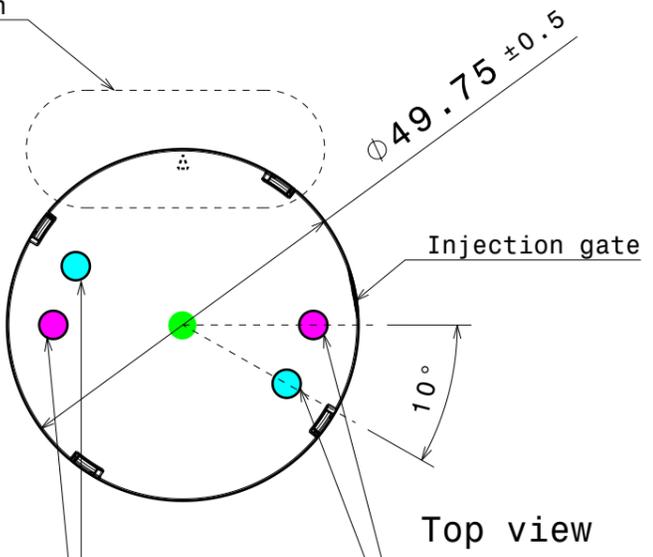
CP19137_ AMY-50-WAS-B2
CP19156_ AMY-50-WAS-B2-WHT



Connector
BJB / B+W 35mm-interface

COB

Beam direction



Top view

Screw holes:
HOLDER C:
HEKLA-G2
HEKLA-SOCKET

HOLDER B:
Screw hole positions
to be checked
per socket/connector

INDEX	PART	TYPE	QTY	MATERIAL	COLOUR/COATING	ASSEMBLY CODES
1	C18441_ AMY-50-WAS	LENS	1	PMMA	CLEAR	
2	HOLDER C	HOLDER 1				
	C19017_ AMY-50-HLD2-C			PC	BLACK	CP19128_ AMY-50-WAS-C2
	C19019_ AMY-50-HLD2-C-WHT			PC	WHITE	CP19146_ AMY-50-WAS-C2-WHT
3	HOLDER B					
	C19018_ AMY-50-HLD2-B			PC	BLACK	CP19137_ AMY-50-WAS-B2
	C19020_ AMY-50-HLD2-B-WHT			PC	WHITE	CP19156_ AMY-50-WAS-B2-WHT

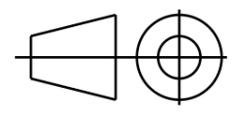
MECHANICAL DRAWING

PRODUCT
AMY-50-WAS

LEDiL

Plastic moulding general tolerances according to DIN 16901-130 and applies if not otherwise shown in the drawing. Silicone moulding general tolerances according to ISO 3302-1 Class M3 and applies if not otherwise shown in the drawing.

FIRST ANGLE PROJECTION:



This drawing is the property of LEDiL Oy. It may not be copied or otherwise distributed without prior written permission from LEDiL Oy.

SCALE 1:1

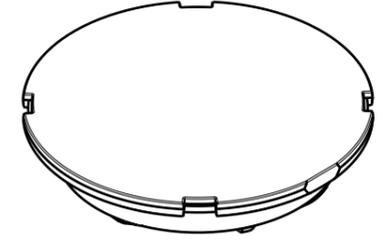
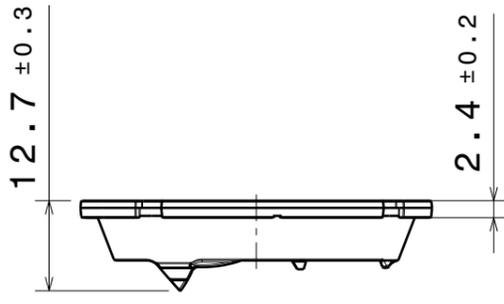
WEIGHT -

A3 SHEET 1/2

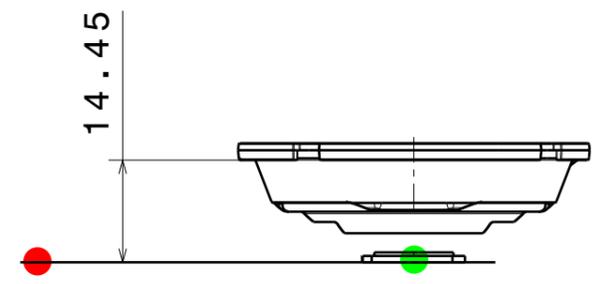
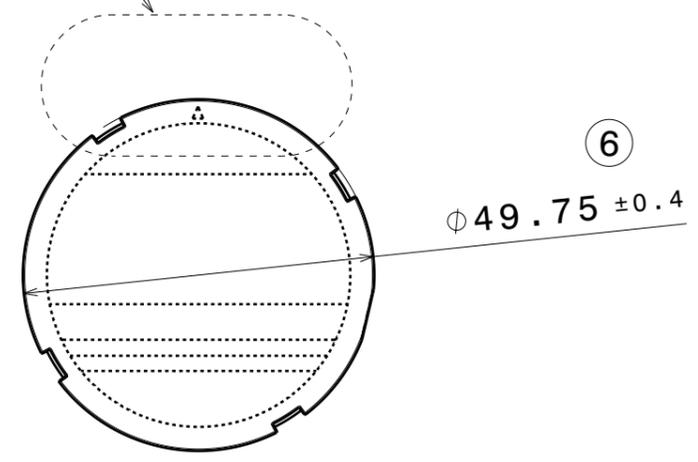
Notes

●	PCB or heatsink level.
●	LED location
	Ensure LED fitting from a product specific 3D model available from www.ledil.com
	For more details about installation please see LEDiL Installation Guide on www.ledil.com

H G F E D C B A



Beam direction



PART	TYPE	MATERIAL	COLOR / COATING
C18441_AMY-50-WAS	LENS	PMMA	CLEAR

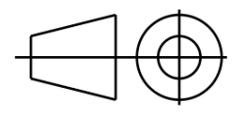
MECHANICAL DRAWING

PRODUCT **AMY-50-WAS**

LEDiL

Plastic moulding general tolerances according to DIN 16901-130 and applies if not otherwise shown in the drawing. Silicone moulding general tolerances according to ISO 3302-1 Class M3 and applies if not otherwise shown in the drawing.

FIRST ANGLE PROJECTION:



This drawing is the property of LEDiL Oy. It may not be copied or otherwise distributed without prior written permission from LEDiL Oy.

SCALE	1:1	WEIGHT	-	A3	SHEET 2/2
-------	-----	--------	---	----	-----------

Notes

●	PCB or heatsink level.
●	LED location
	Ensure LED fitting from a product specific 3D model available from www.ledil.com
	For more details about installation please see LEDiL Installation Guide on www.ledil.com

H G F E D C B A