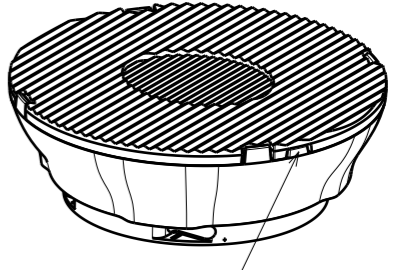
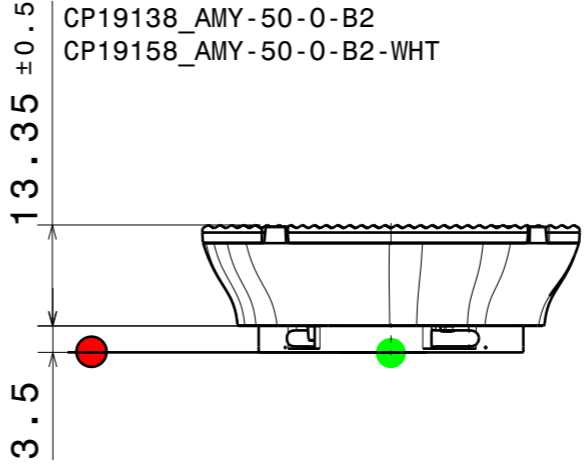
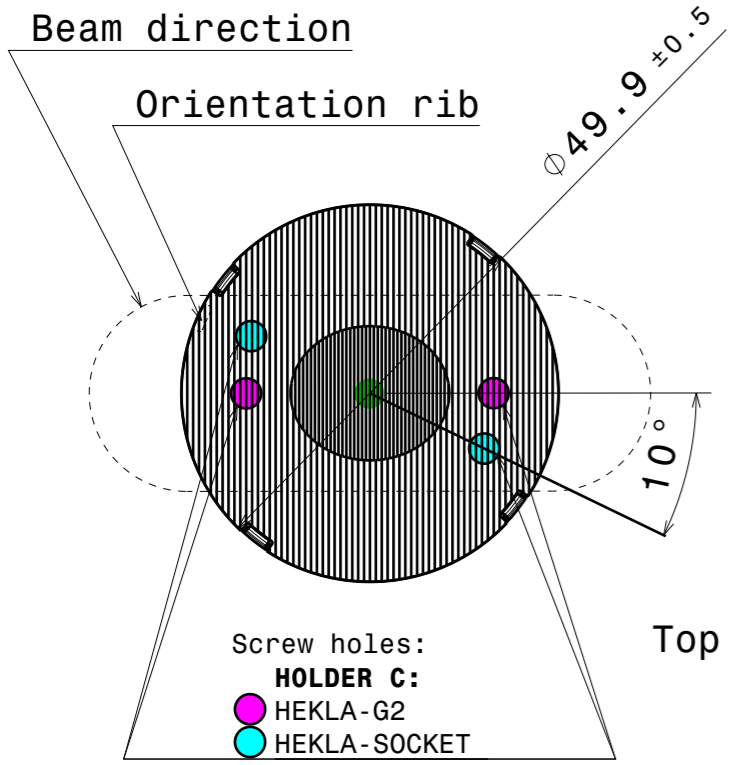
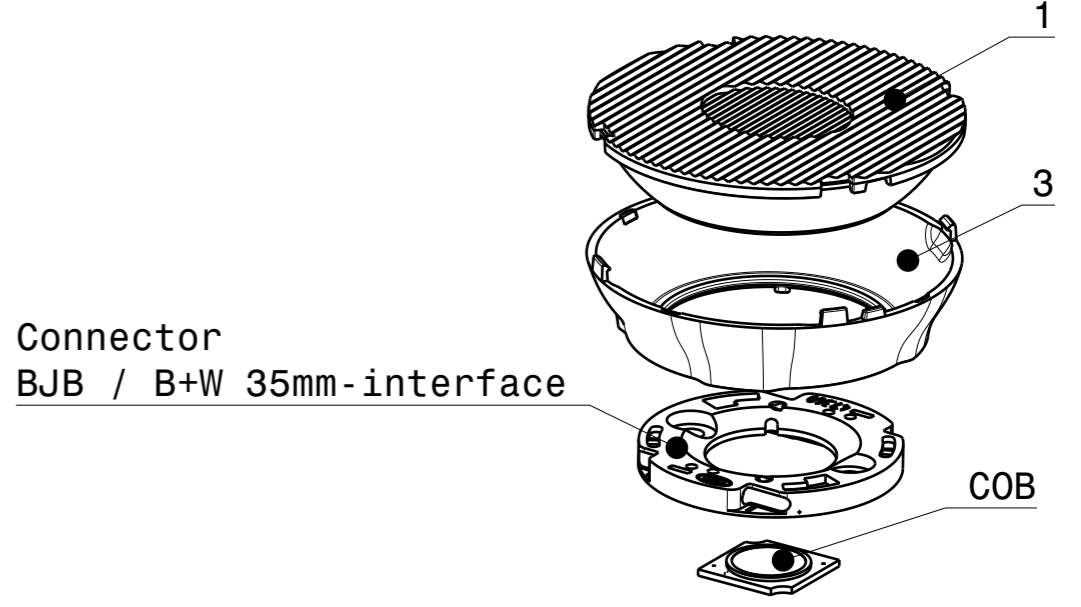
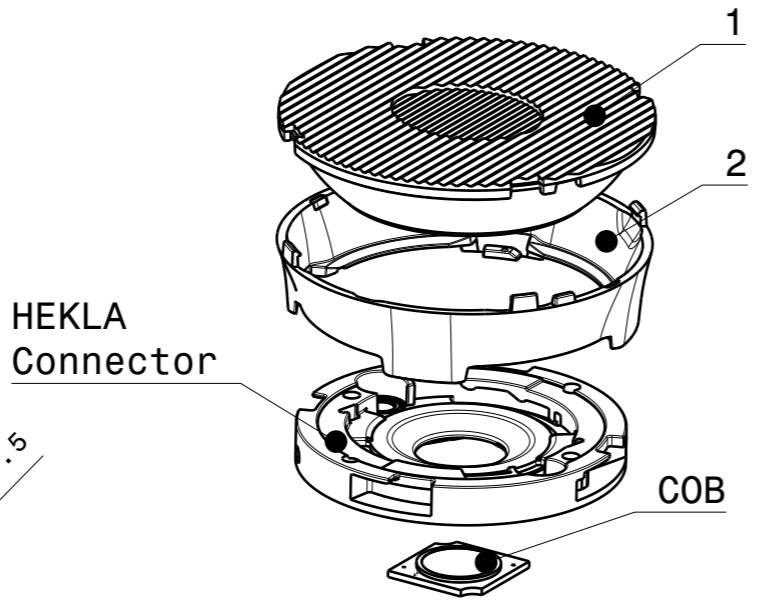


Orientation rib



Orientation rib



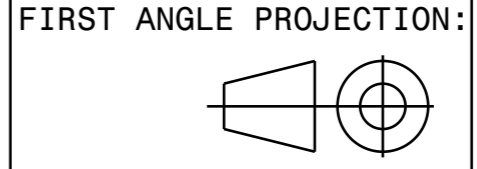
Top view

INDEX	PART	TYPE	QTY	MATERIAL	COLOUR/COATING	ASSEMBLY CODES
1	AMY-50-0	LENS	1			
	C18490_ AMY-50-0			PMMA	CLEAR	
2	HOLDER C	HOLDER	1			
	C19988_ AMY-50-HLD2-C-ASYM			PC	BLACK	CP19129_ AMY-50-0-C2
	C19992_ AMY-50-HLD2-C-WHT-ASYM			PC	WHITE	CP19147_ AMY-50-0-C2-WHT
3	HOLDER B					
	C19989_ AMY-50-HLD2-B-ASYM			PC	BLACK	CP19138_ AMY-50-0-B2
	C19991_ AMY-50-HLD2-B-WHT-ASYM			PC	WHITE	CP19158_ AMY-50-0-B2-WHT

**MECHANICAL DRAWING**

PRODUCT  
**AMY-50-0**

Plastic moulding general tolerances according to DIN 16901-130 and applies if not otherwise shown in the drawing. Silicone moulding general tolerances according to ISO 3302-1 Class M3 and applies if not otherwise shown in the drawing.



**LEDiL**

This drawing is the property of LEDiL Oy. It may not be copied or otherwise distributed without prior written permission from LEDiL Oy.

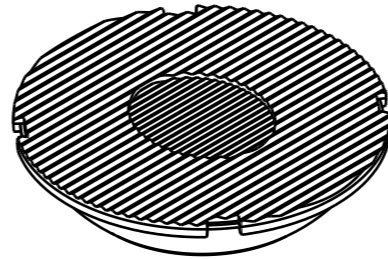
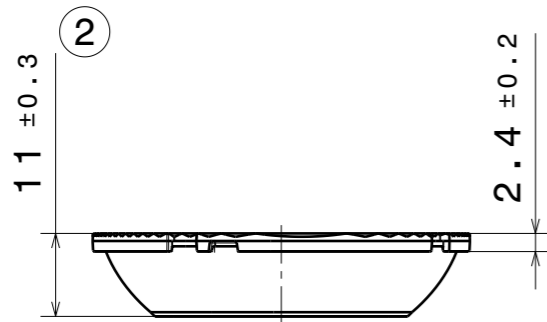
SCALE 1:1 WEIGHT - A3 SHEET 1/2

**Notes**

	PCB or heatsink level.
	LED location
	Ensure LED fitting from a product specific 3D model available from <a href="http://www.ledil.com">www.ledil.com</a>
	For more details about installation please see LEDiL Installation Guide on <a href="http://www.ledil.com">www.ledil.com</a>

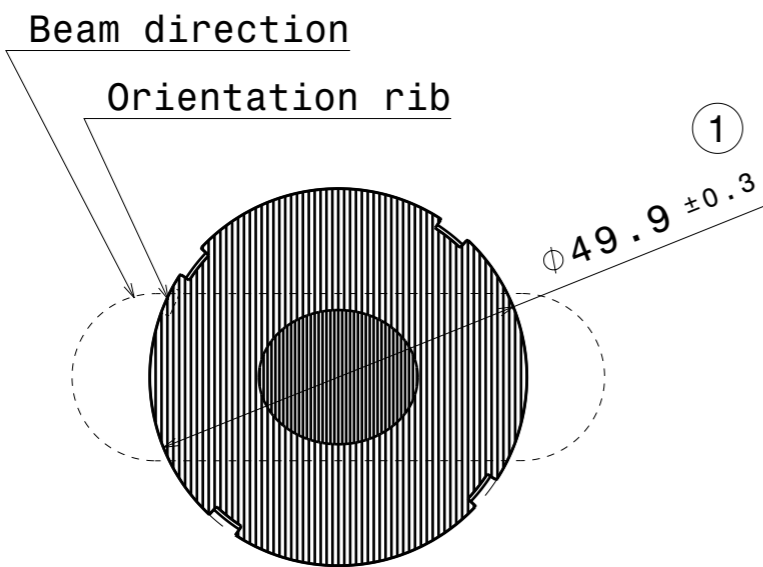
H G F E D C B A

4



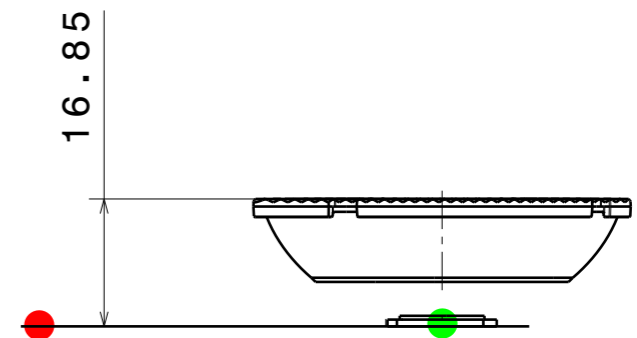
4

3



3

2



2

1

**Notes**

	PCB or heatsink level.
	LED location
	Ensure LED fitting from a product specific 3D model available from <a href="http://www.ledil.com">www.ledil.com</a>
	For more details about installation please see LEDiL Installation Guide on <a href="http://www.ledil.com">www.ledil.com</a>

PART	TYPE	MATERIAL	COLOR / COATING
C18490_AMY-50-0	LENS	PMMA	CLEAR

<b>MECHANICAL DRAWING</b>		<b>LEDiL</b>
PRODUCT	AMY-50-0	
Plastic moulding general tolerances according to DIN 16901-130 and applies if not otherwise shown in the drawing. Silicone moulding general tolerances according to ISO 3302-1 Class M3 and applies if not otherwise shown in the drawing.	FIRST ANGLE PROJECTION: 	This drawing is the property of LEDiL Oy. It may not be copied or otherwise distributed without prior written permission from LEDiL Oy.
SCALE	1:1	WEIGHT -
		A3 SHEET 2/2

1

H G B A