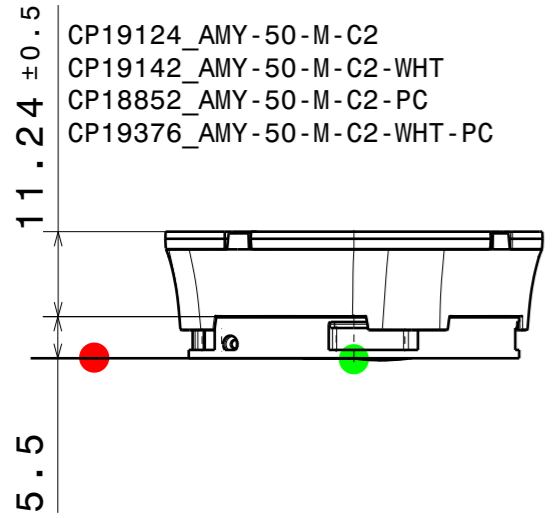
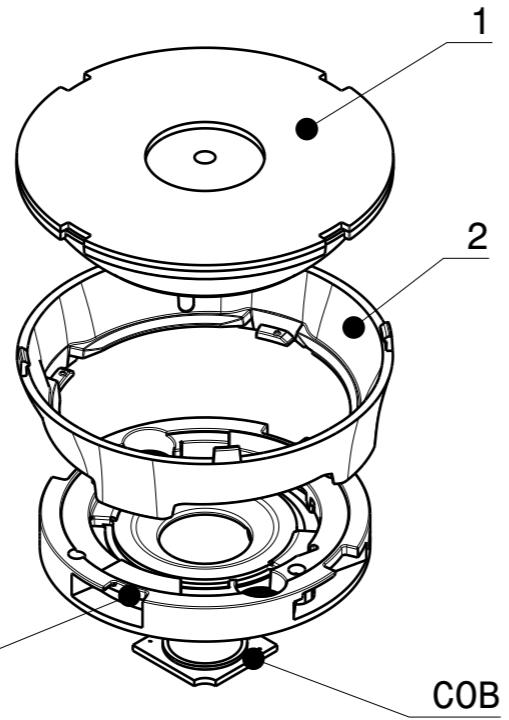


DATE
08.05.2023

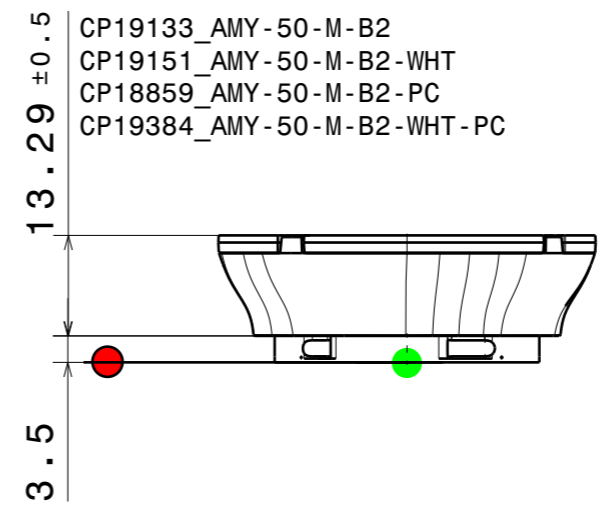


- CP19124_ AMY-50-M-C2
- CP19142_ AMY-50-M-C2-WHT
- CP18852_ AMY-50-M-C2-PC
- CP19376_ AMY-50-M-C2-WHT-PC



HEKLA
Connector

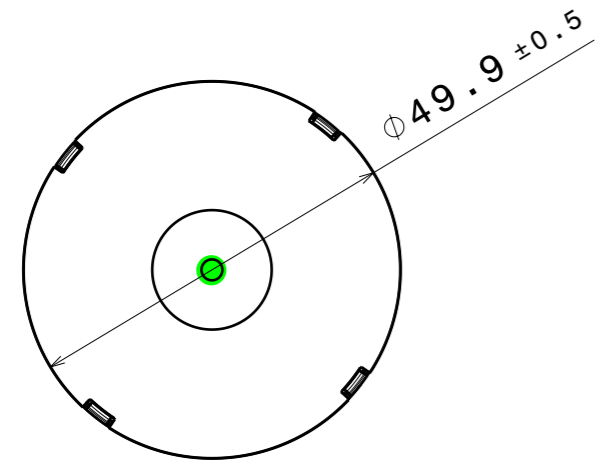
COB



- CP19133_ AMY-50-M-B2
- CP19151_ AMY-50-M-B2-WHT
- CP18859_ AMY-50-M-B2-PC
- CP19384_ AMY-50-M-B2-WHT-PC

Connector
BJB / B+W 35mm-interface

COB



Top view
Scale: 1:1

INDEX	PART	TYPE	QTY	MATERIAL	COLOUR/COATING	ASSEMBLY CODES
1	AMY-50-M	LENS	1			
	C17687_ AMY-50-M			PMMA	CLEAR	
	C18845_ AMY-50-M-PC			PC	CLEAR	
2	HOLDER C	HOLDER	1			
	C19017_ AMY-50-HLD2-C			PC	BLACK	CP19124_ AMY-50-M-C2 CP18852_ AMY-50-M-C2-PC
	C19019_ AMY-50-HLD2-C-WHT			PC	WHITE	CP19142_ AMY-50-M-C2-WHT CP19376_ AMY-50-M-C2-WHT-PC
3	HOLDER B					
	C19018_ AMY-50-HLD2-B			PC	BLACK	CP19133_ AMY-50-M-B2 CP18859_ AMY-50-M-B2-PC
	C19020_ AMY-50-HLD2-B-WHT			PC	WHITE	CP19151_ AMY-50-M-B2-WHT CP19384_ AMY-50-M-B2-WHT-PC

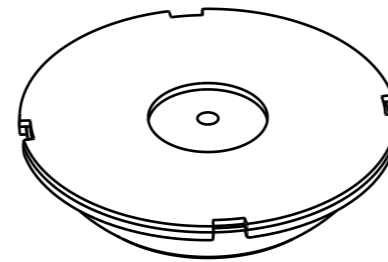
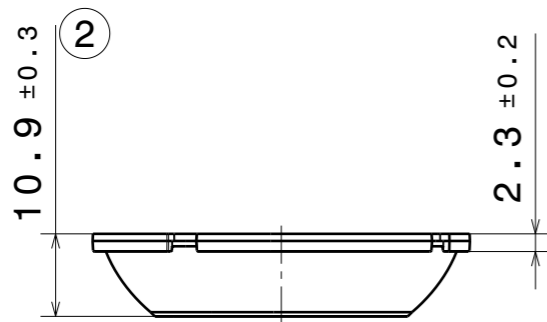
MECHANICAL DRAWING		LEDiL
PRODUCT AMY-50-M		
Plastic moulding general tolerances according to DIN 16901-130 and applies if not otherwise shown in the drawing. Silicone moulding general tolerances according to ISO 3302-1 Class M3 and applies if not otherwise shown in the drawing.	FIRST ANGLE PROJECTION: 	This drawing is the property of LEDiL Oy. It may not be copied or otherwise distributed without prior written permission from LEDiL Oy.
SCALE 1:1	WEIGHT -	A3 SHEET 1/1

Notes

- PCB or heatsink level.
- LED location
- Ensure LED fitting from a product specific 3D model available from www.ledil.com
- For more details about installation please see LEDiL Installation Guide on www.ledil.com

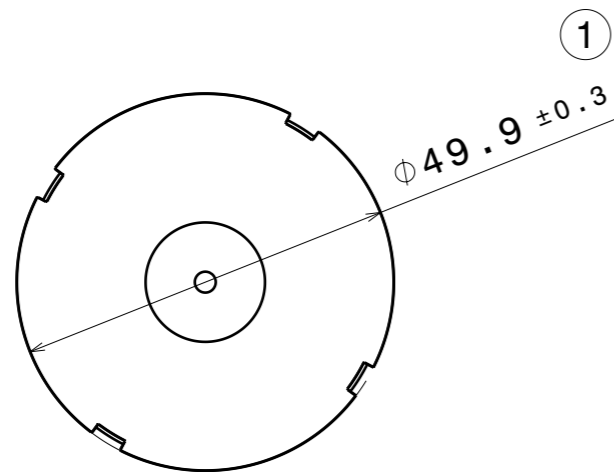
H G F E D C B A

4



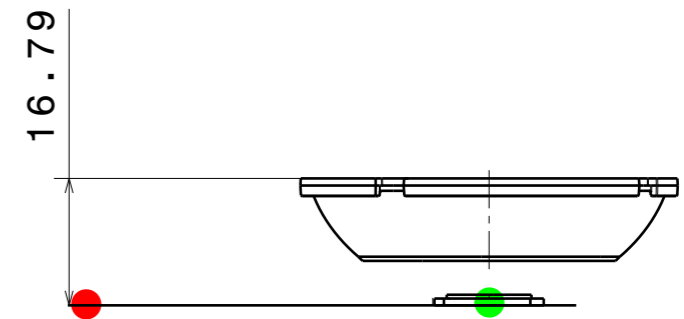
4

3



3

2



2

PART	TYPE	MATERIAL	COLOR / COATING
C17687_AMY-50-M	LENS	PMMA	CLEAR
C18845_AMY-50-M-PC	LENS	PC	CLEAR

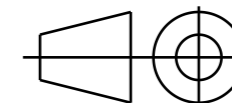
MECHANICAL DRAWING

PRODUCT **AMY-50-M**

LEDiL

Plastic moulding general tolerances according to DIN 16901-130 and applies if not otherwise shown in the drawing. Silicone moulding general tolerances according to ISO 3302-1 Class M3 and applies if not otherwise shown in the drawing.

FIRST ANGLE PROJECTION:



This drawing is the property of LEDiL Oy. It may not be copied or otherwise distributed without prior written permission from LEDiL Oy.

SCALE 1:1

WEIGHT -

A3 SHEET 1/1

Notes

	PCB or heatsink level.
	LED location
	Ensure LED fitting from a product specific 3D model available from www.ledil.com
	For more details about installation please see LEDiL Installation Guide on www.ledil.com

H G F E D C B A

1

1