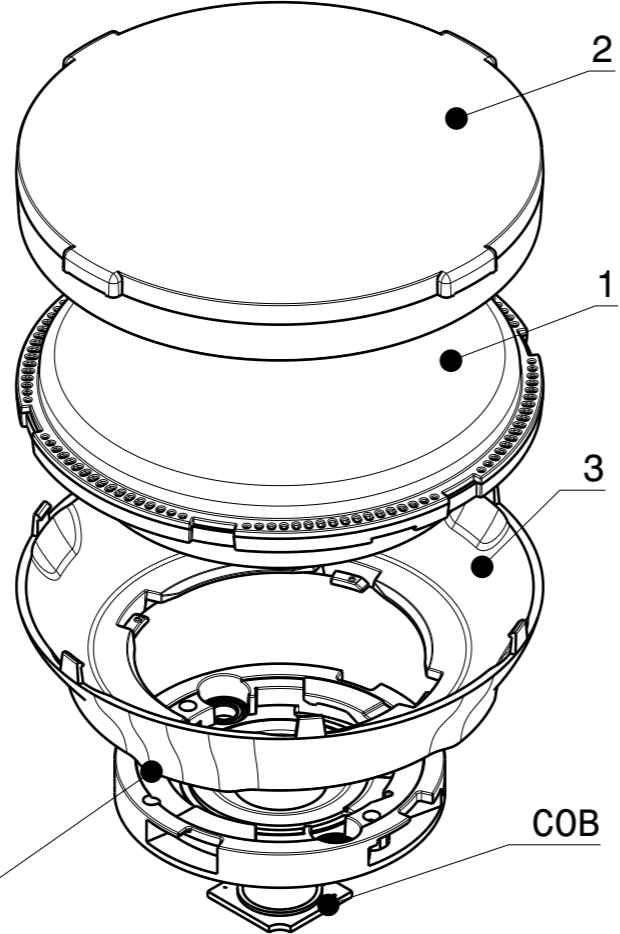
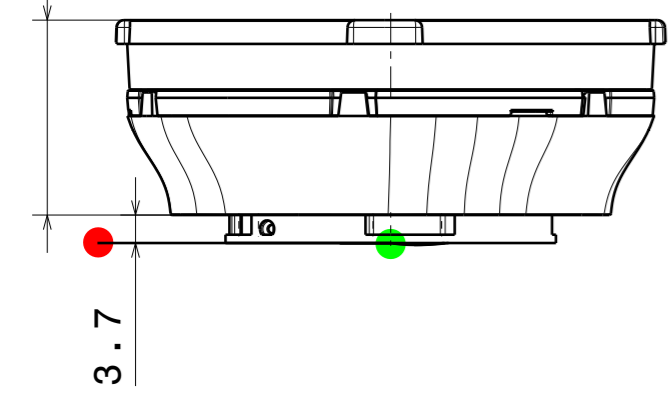
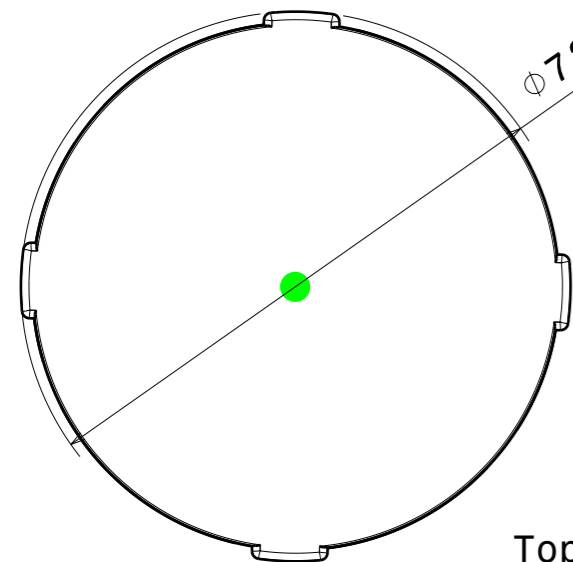
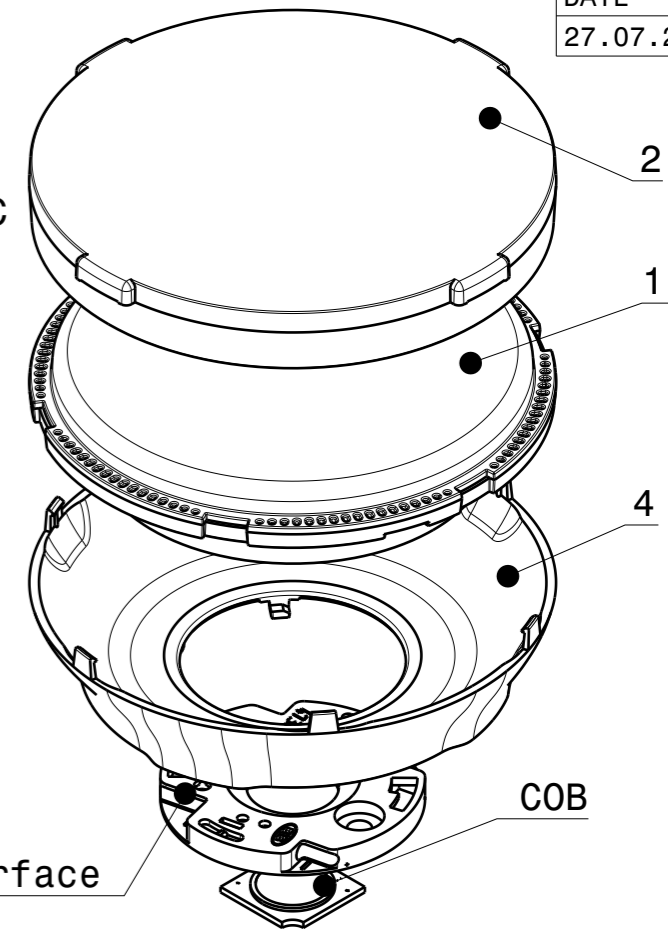
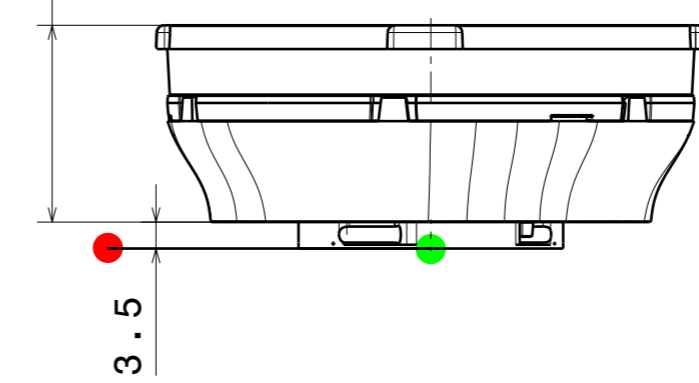


CP19046_ AMY-70-ZOOM-C2
 CP19113_ AMY-70-ZOOM-C2-WHT
 CP18878_ AMY-70-ZOOM-C2-PC
 CP19397_ AMY-70-ZOOM-C2-WHT-PC



CP19106_ AMY-70-ZOOM-B2
 CP19122_ AMY-70-ZOOM-B2-WHT
 CP18885_ AMY-70-ZOOM-B2-PC
 CP19404_ AMY-70-ZOOM-B2-WHT-PC



Top view
Scale: 1:1

INDEX	PART	TYPE	QTY	MATERIAL	COLOUR/COATING	ASSEMBLY CODES
1	AMY-70-ZOOM	LENS	1			
	C18617_ AMY-70-ZOOM			PMMA	CLEAR	
	C18871_ AMY-70-ZOOM-PC			PC	CLEAR	
2	C18618_ AMY-70-ZOOM-SUB	SUBLENS	1	PMMA	CLEAR	
3	HOLDER C	HOLDER	1			
	C19021_ AMY-70-HLD2-C			PC	BLACK	CP19046_ AMY-70-ZOOM-C2 CP18878_ AMY-70-ZOOM-C2-PC
	C19023_ AMY-70-HLD2-C-WHT			PC	WHITE	CP19113_ AMY-70-ZOOM-C2-WHT CP19397_ AMY-70-ZOOM-C2-WHT-PC
4	HOLDER B					
	C19022_ AMY-70-HLD2-B			PC	BLACK	CP19106_ AMY-70-ZOOM-B2 CP18885_ AMY-70-ZOOM-B2-PC
	C19024_ AMY-70-HLD2-B-WHT			PC	WHITE	CP19122_ AMY-70-ZOOM-B2-WHT CP19404_ AMY-70-ZOOM-B2-WHT-PC

MECHANICAL DRAWING		LEDiL
PRODUCT AMY-70-ZOOM		
Plastic moulding general tolerances according to DIN 16901-130 and applies if not otherwise shown in the drawing. Silicone moulding general tolerances according to ISO 3302-1 Class M3 and applies if not otherwise shown in the drawing.	FIRST ANGLE PROJECTION: 	This drawing is the property of LEDiL Oy. It may not be copied or otherwise distributed without prior written permission from LEDiL Oy.
SCALE 1:1	WEIGHT -	A3 SHEET 1/4

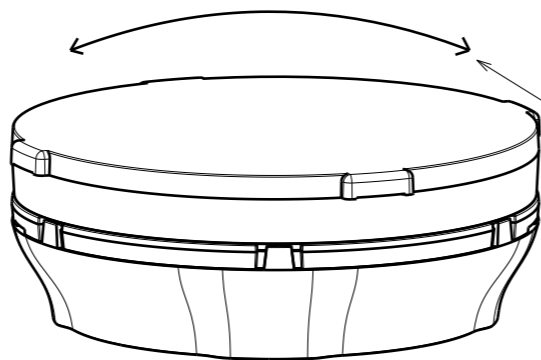
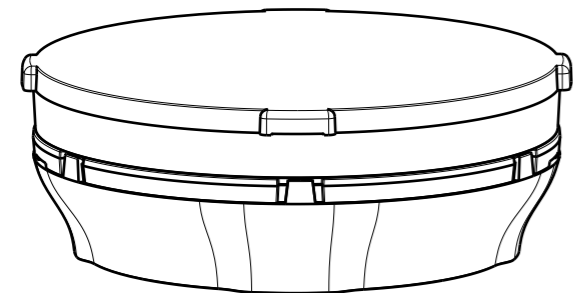
Notes

- PCB or heatsink level.
- LED location
- Ensure LED fitting from a product specific 3D model available from www.ledil.com
- For more details about installation please see LEDiL Installation Guide on www.ledil.com

BEAM ANGLE MARKING

Spot

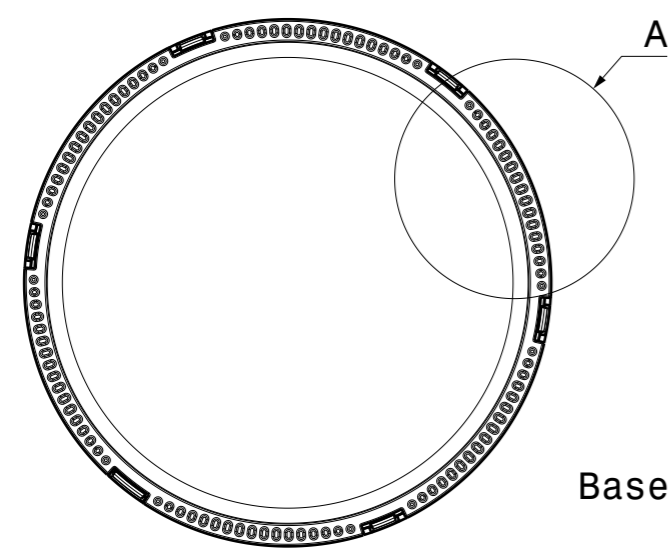
Wide



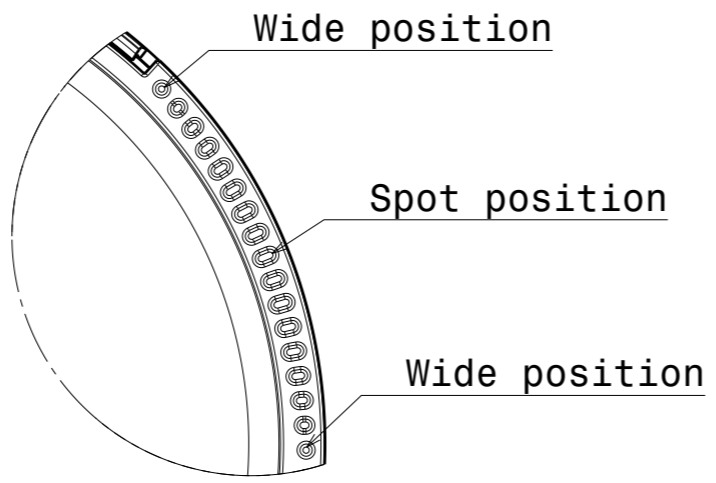
Assembly

SUB-lens rotate freely.
Beam angle changing smoothly.
spot - wide - spot - wide ...

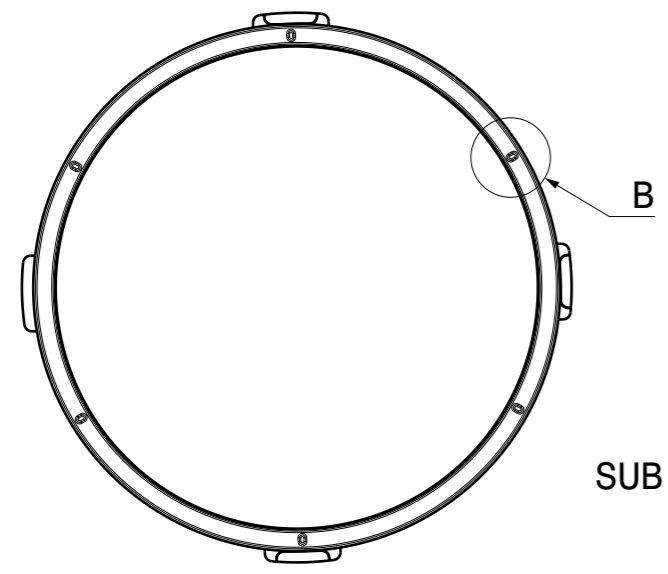
22.5 degrees rotation angle between spot and wide



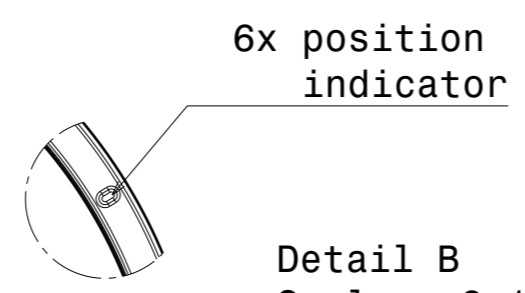
Base lens



Detail A
Scale: 2:1



SUB lens



Detail B
Scale: 2:1

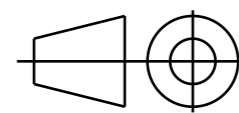
MECHANICAL DRAWING

PRODUCT **AMY-70-ZOOM**

LEDiL

Plastic moulding general tolerances according to DIN 16901-130 and applies if not otherwise shown in the drawing.
Silicone moulding general tolerances according to ISO 3302-1 Class M3 and applies if not otherwise shown in the drawing.

FIRST ANGLE PROJECTION:



This drawing is the property of LEDiL Oy. It may not be copied or otherwise distributed without prior written permission from LEDiL Oy.

SCALE **1:1**

WEIGHT -

A3 SHEET 2/4

Notes

	PCB or heatsink level.
	LED location
	Ensure LED fitting from a product specific 3D model available from www.ledil.com
	For more details about installation please see LEDiL Installation Guide on www.ledil.com

4

4

3

3

2

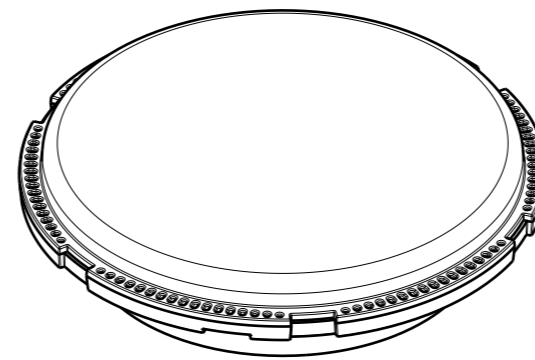
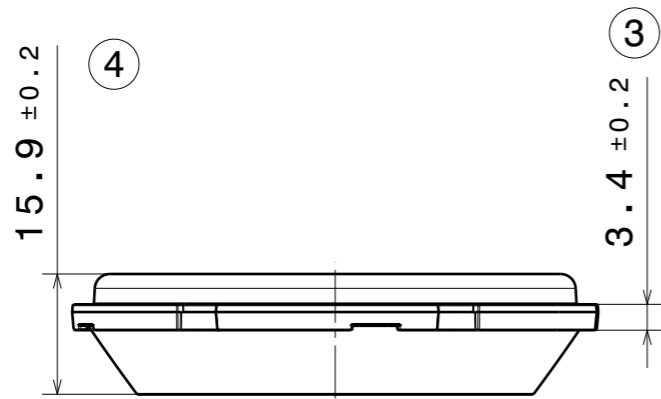
2

1

1

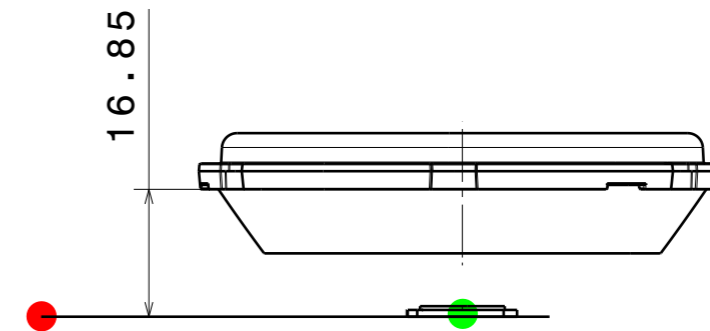
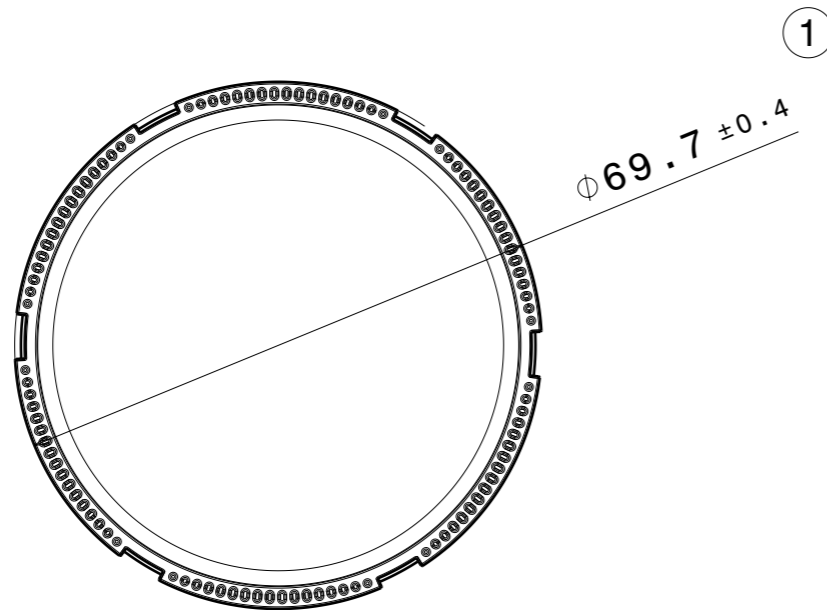
H G F E D C B A

4



4

3



3

2

2

PART	TYPE	MATERIAL	COLOR / COATING
C18617_ AMY-70-ZOOM	LENS	PMMA	CLEAR
C18871_ AMY-70-ZOOM-PC	LENS	PC	CLEAR

MECHANICAL DRAWING		LEDiL
PRODUCT	AMY-70-ZOOM	
Plastic moulding general tolerances according to DIN 16901-130 and applies if not otherwise shown in the drawing. Silicone moulding general tolerances according to ISO 3302-1 Class M3 and applies if not otherwise shown in the drawing.	FIRST ANGLE PROJECTION: 	This drawing is the property of LEDiL Oy. It may not be copied or otherwise distributed without prior written permission from LEDiL Oy.
SCALE	1:1	WEIGHT -
		A3 SHEET 3/4

Notes

	PCB or heatsink level.
	LED location
	Ensure LED fitting from a product specific 3D model available from www.ledil.com
	For more details about installation please see LEDiL Installation Guide on www.ledil.com

H G F E D C B A

1

1

H G F E D C B A

4

4

3

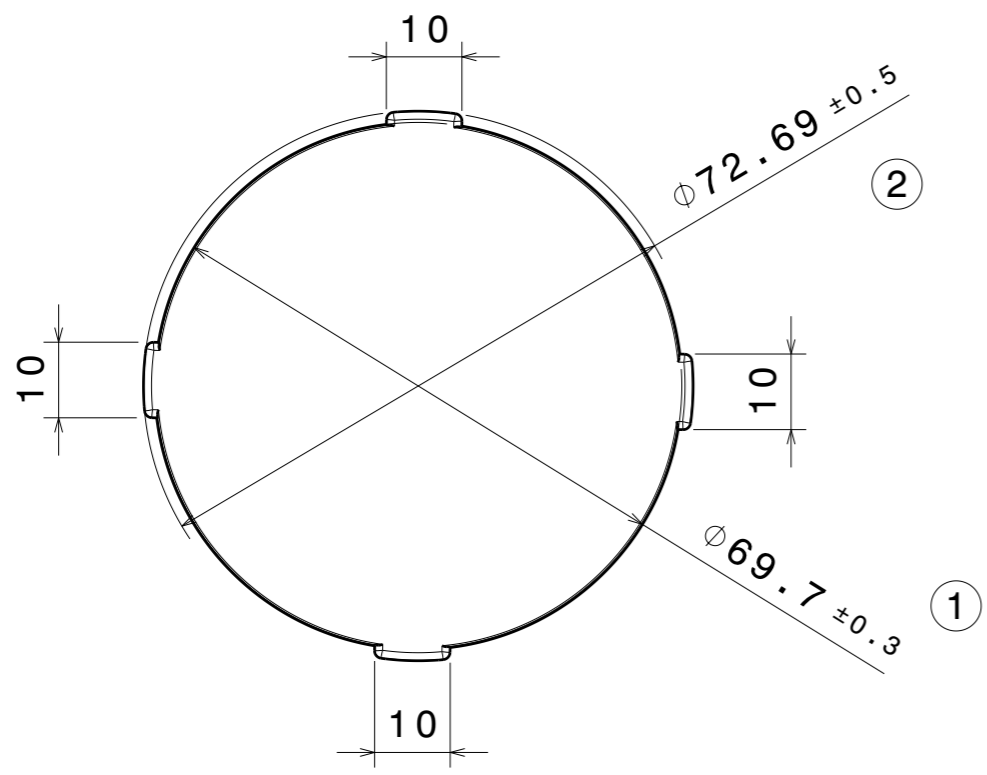
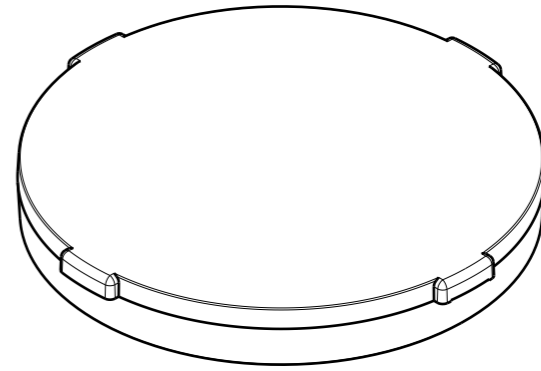
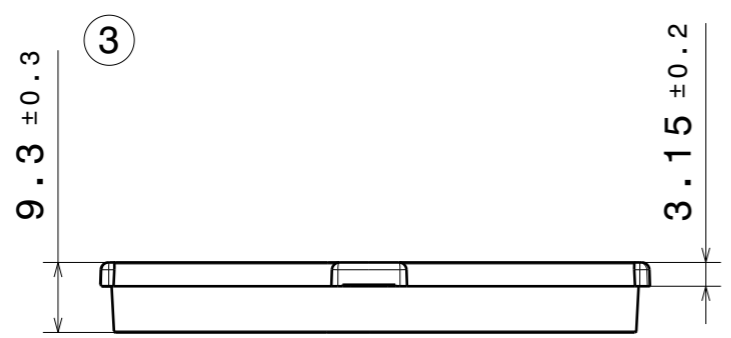
3

2

2

1

1



Notes

- PCB or heatsink level.
- LED location
- Ensure LED fitting from a product specific 3D model available from www.ledil.com
- For more details about installation please see LEDiL Installation Guide on www.ledil.com

PART	TYPE	QTY	MATERIAL	COLOUR/COATING
C18618_AMY-70-ZOOM-SUB	SUBLENS	1	PMMA	CLEAR

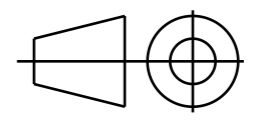
MECHANICAL DRAWING

PRODUCT **AMY-70-ZOOM**

LEDiL

Plastic moulding general tolerances according to DIN 16901-130 and applies if not otherwise shown in the drawing. Silicone moulding general tolerances according to ISO 3302-1 Class M3 and applies if not otherwise shown in the drawing.

FIRST ANGLE PROJECTION:



This drawing is the property of LEDiL Oy. It may not be copied or otherwise distributed without prior written permission from LEDiL Oy.

SCALE	1:1	WEIGHT	-	A3	SHEET 4/4
-------	-----	--------	---	----	-----------

H G F E D C B A