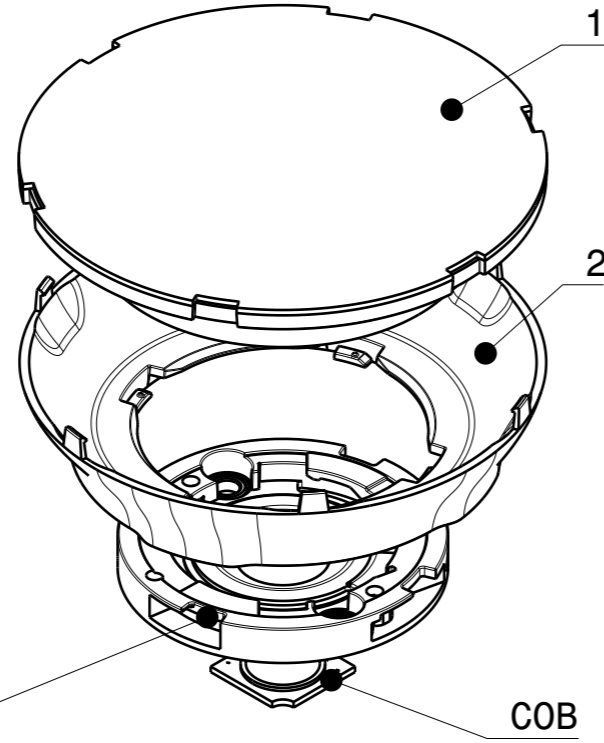
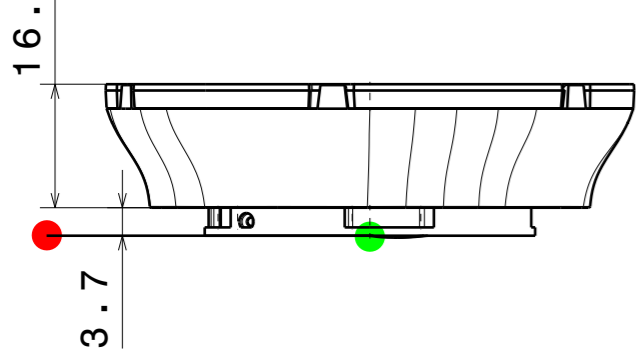


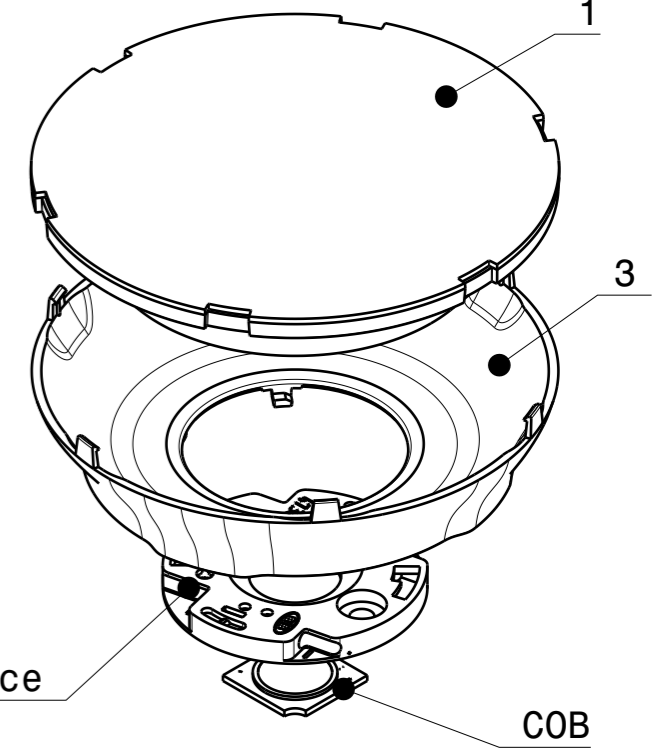
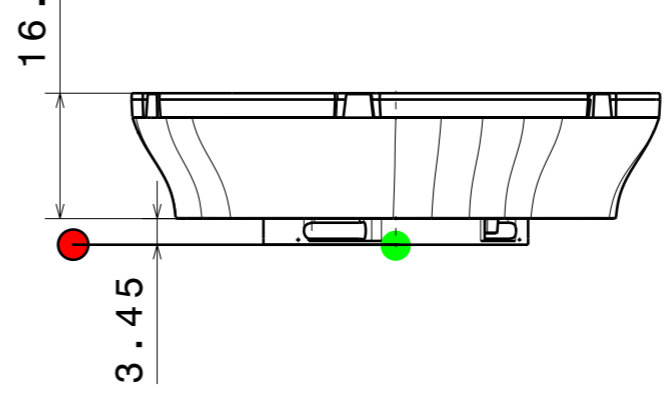
CP19045_ AMY-70-RS-C2
 CP19112_ AMY-70-RS-C2-WHT
 CP18876_ AMY-70-RS-C2-PC
 CP19395_ AMY-70-RS-C2-WHT-PC



HEKLA
Connector

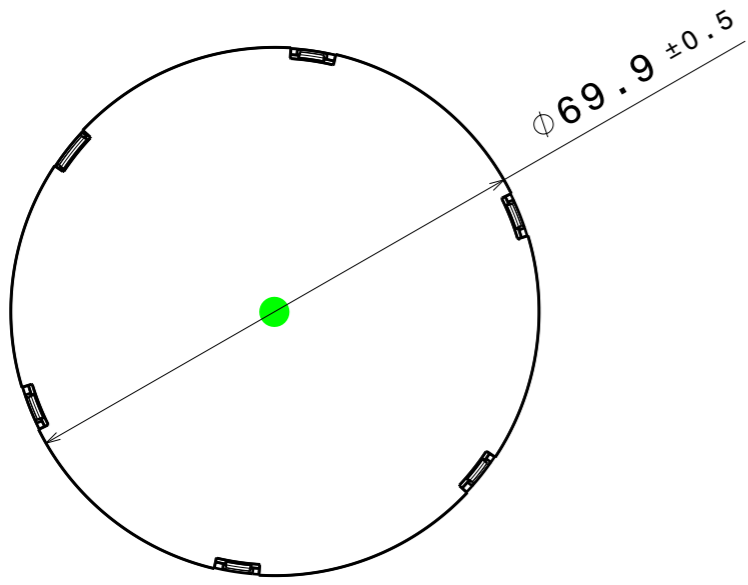
COB

CP19105_ AMY-70-RS-B2
 CP19121_ AMY-70-RS-B2-WHT
 CP18883_ AMY-70-RS-B2-PC
 CP19402_ AMY-70-RS-B2-WHT-PC



Connector
BJB / B+W 35mm-interface

COB



Top view
Scale: 1:1

INDEX	PART	TYPE	QTY	MATERIAL	COLOUR/COATING	ASSEMBLY CODES
1	AMY-70-RS	LENS	1			
	C18516_ AMY-70-RS			PMMA	CLEAR	
	C18869_ AMY-70-RS-PC			PC	CLEAR	
2	HOLDER C	HOLDER	1			
	C19021_ AMY-70-HLD2-C			PC	BLACK	CP19045_ AMY-70-RS-C2 CP18876_ AMY-70-RS-C2-PC
	C19023_ AMY-70-HLD2-C-WHT			PC	WHITE	CP19112_ AMY-70-RS-C2-WHT CP19395_ AMY-70-RS-C2-WHT-PC
3	HOLDER B					
	C19022_ AMY-70-HLD2-B			PC	BLACK	CP19105_ AMY-70-RS-B2 CP18883_ AMY-70-RS-B2-PC
	C19024_ AMY-70-HLD2-B-WHT			PC	WHITE	CP19121_ AMY-70-RS-B2-WHT CP19402_ AMY-70-RS-B2-WHT-PC

MECHANICAL DRAWING		LEDiL
PRODUCT AMY-70-RS		
Plastic moulding general tolerances according to DIN 16901-130 and applies if not otherwise shown in the drawing. Silicone moulding general tolerances according to ISO 3302-1 Class M3 and applies if not otherwise shown in the drawing.	FIRST ANGLE PROJECTION: 	This drawing is the property of LEDiL Oy. It may not be copied or otherwise distributed without prior written permission from LEDiL Oy.
SCALE 1:1	WEIGHT -	

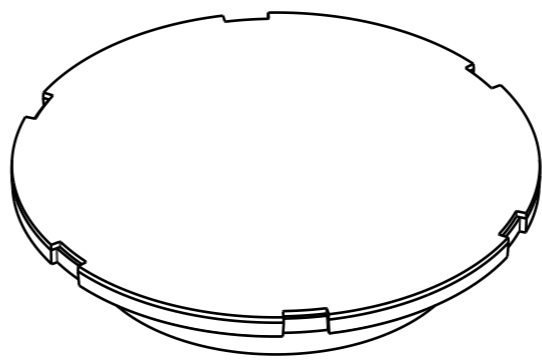
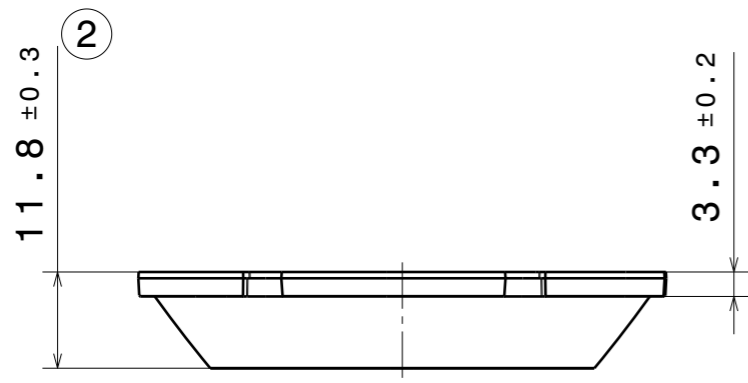
Notes

	PCB or heatsink level.
	LED location
Ensure LED fitting from a product specific 3D model available from www.ledil.com	
For more details about installation please see LEDiL Installation Guide on www.ledil.com	

H G F E D C B A

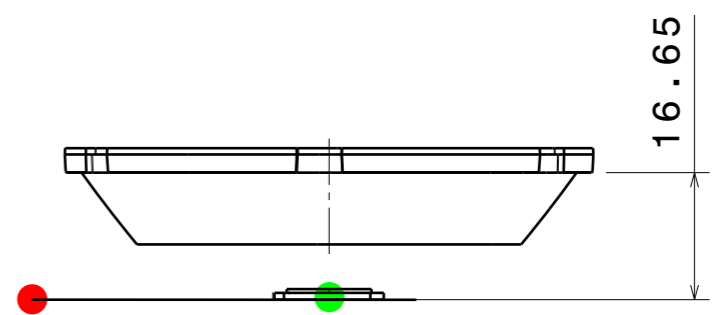
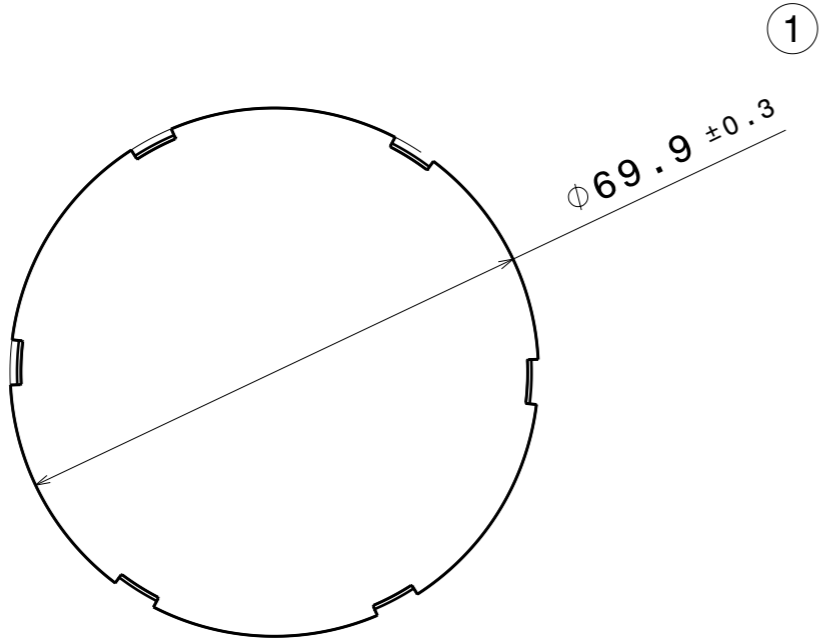
4

4



3

3



2

2

PART	TYPE	MATERIAL	COLOR / COATING
C18516_AMY-70-RS	LENS	PMMA	CLEAR
C18869_AMY-70-RS-PC	LENS	PC	CLEAR

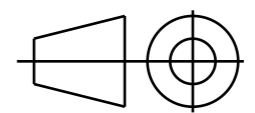
MECHANICAL DRAWING

PRODUCT **AMY-70-RS**

LEDiL

Plastic moulding general tolerances according to DIN 16901-130 and applies if not otherwise shown in the drawing. Silicone moulding general tolerances according to ISO 3302-1 Class M3 and applies if not otherwise shown in the drawing.

FIRST ANGLE PROJECTION:



This drawing is the property of LEDiL Oy. It may not be copied or otherwise distributed without prior written permission from LEDiL Oy.

SCALE 1:1

WEIGHT -

A3 SHEET 1/1

1

1

Notes

	PCB or heatsink level.
	LED location
	Ensure LED fitting from a product specific 3D model available from www.ledil.com
	For more details about installation please see LEDiL Installation Guide on www.ledil.com

H G F E D C B A