

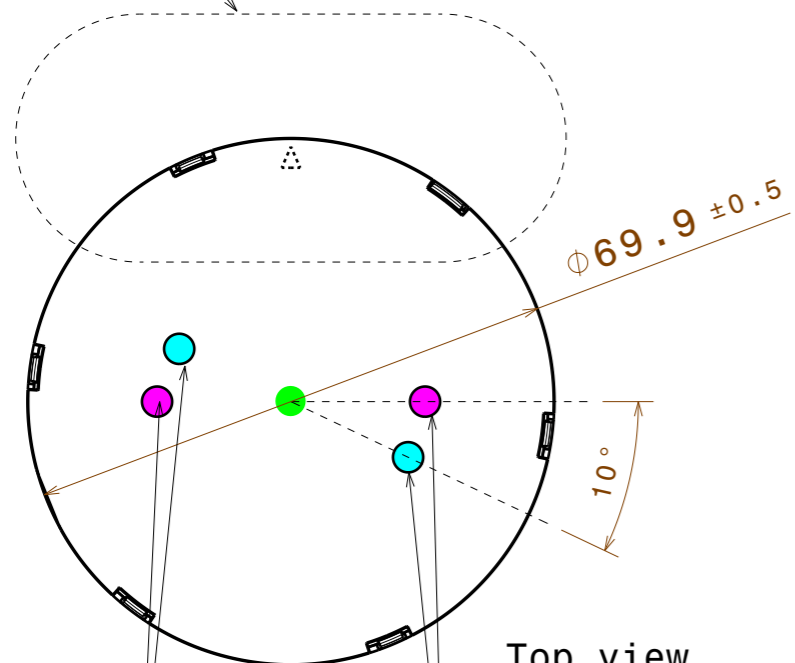
Beam direction

HEKLA Connector

Connector
BJB / B+W 35mm-interface

COB

COB



Top view
Scale: 1:1

Screw holes:
HOLDER C:
● HEKLA-G2
● HEKLA-SOCKET
HOLDER B:
Screw hole positions
to be checked
per socket/connector

INDEX	PART	TYPE	QTY	MATERIAL	COLOUR/COATING	ASSEMBLY CODES
1	AMY-70-WAS	LENS	1			
	C18444_ AMY-70-WAS			PMMA	CLEAR	
2	HOLDER C	HOLDER 1				
	C19021_ AMY-70-HLD2-C			PC	BLACK	CP19050_ AMY-70-WAS-C2
	C19023_ AMY-70-HLD2-C-WHT			PC	WHITE	CP19110_ AMY-70-WAS-C2-WHT
3	HOLDER B					
	C19022_ AMY-70-HLD2-B			PC	BLACK	CP19051_ AMY-70-WAS-B2
	C19024_ AMY-70-HLD2-B-WHT			PC	WHITE	CP19119_ AMY-70-WAS-B2-WHT

MECHANICAL DRAWING

PRODUCT
AMY-70-WAS

Plastic moulding general tolerances according to DIN 16901-130 and applies if not otherwise shown in the drawing.
Silicone moulding general tolerances according to ISO 3302-1 Class M3 and applies if not otherwise shown in the drawing.

FIRST ANGLE PROJECTION:

LEDiL

This drawing is the property of LEDiL Oy. It may not be copied or otherwise distributed without prior written permission from LEDiL Oy.

SCALE 1:1

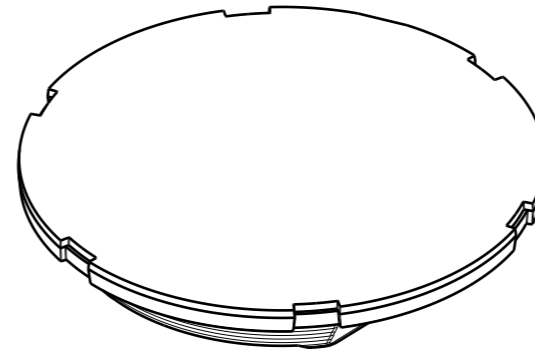
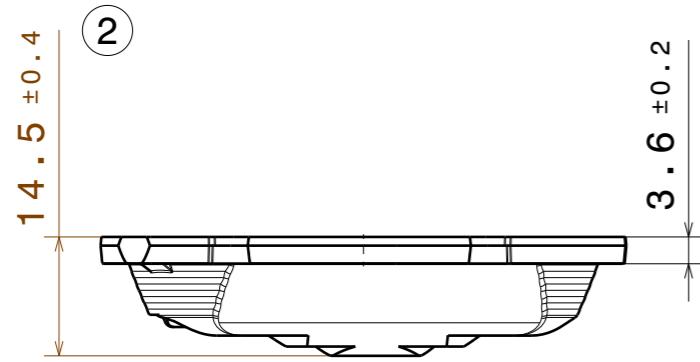
WEIGHT -

A3 SHEET 1/2

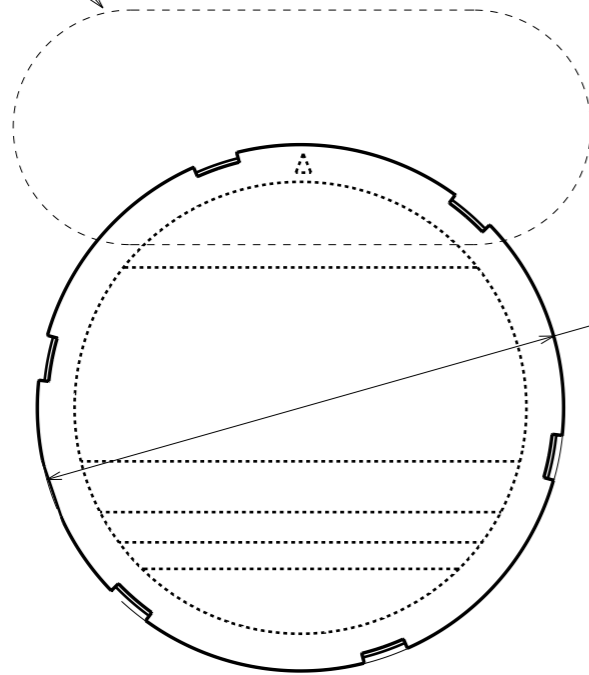
Notes

●	PCB or heatsink level.
●	LED location
	Ensure LED fitting from a product specific 3D model available from www.ledil.com
	For more details about installation please see LEDiL Installation Guide on www.ledil.com

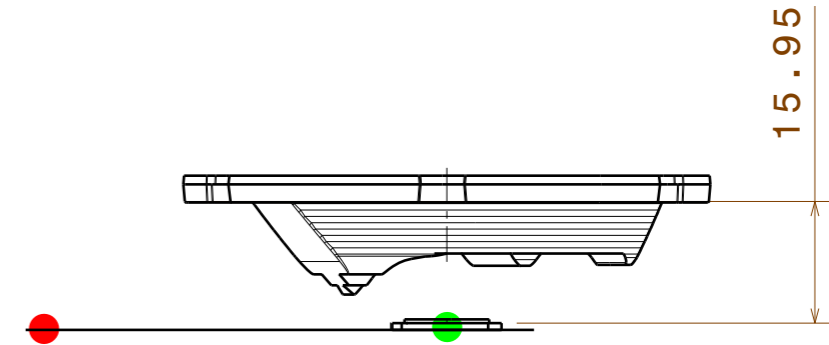
H G F E D C B A



Beam direction



Ø 69.7 ± 0.3



PART	TYPE	MATERIAL	COLOR / COATING
C18444_AMY-70-WAS	LENS	PMMA	CLEAR

MECHANICAL DRAWING		LEDiL
PRODUCT AMY-70-WAS		
Plastic moulding general tolerances according to DIN 16901-130 and applies if not otherwise shown in the drawing. Silicone moulding general tolerances according to ISO 3302-1 Class M3 and applies if not otherwise shown in the drawing.	FIRST ANGLE PROJECTION: 	This drawing is the property of LEDiL Oy. It may not be copied or otherwise distributed without prior written permission from LEDiL Oy.
SCALE 1:1	WEIGHT -	A3 SHEET 2/2

Notes

	PCB or heatsink level.
	LED location
	Ensure LED fitting from a product specific 3D model available from www.ledil.com
	For more details about installation please see LEDiL Installation Guide on www.ledil.com

H G B A