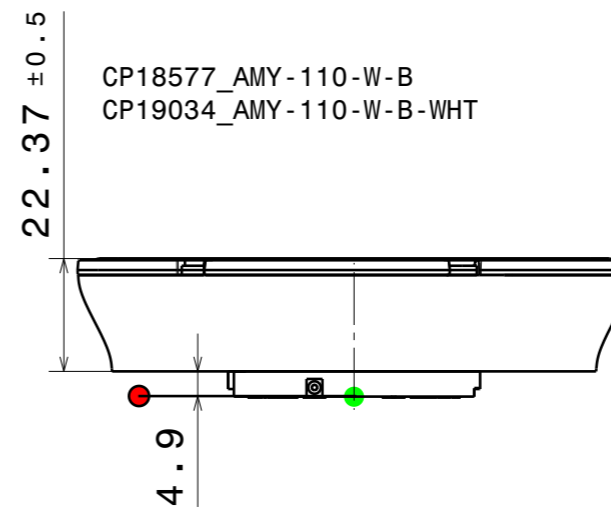
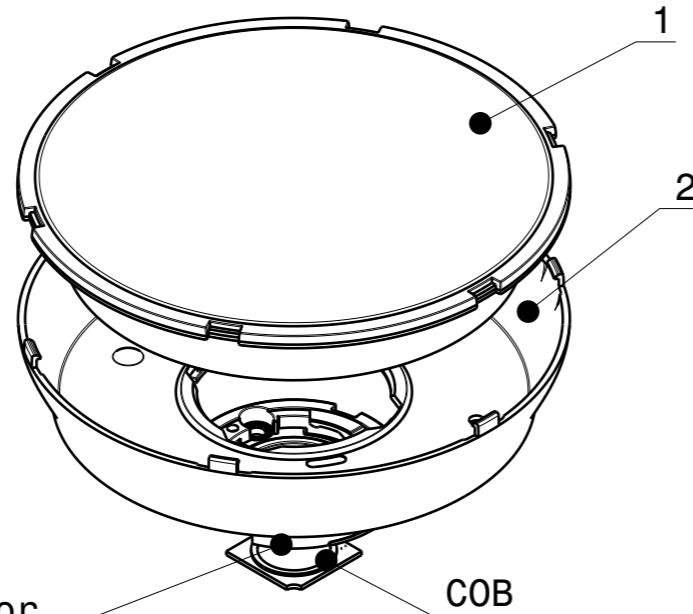
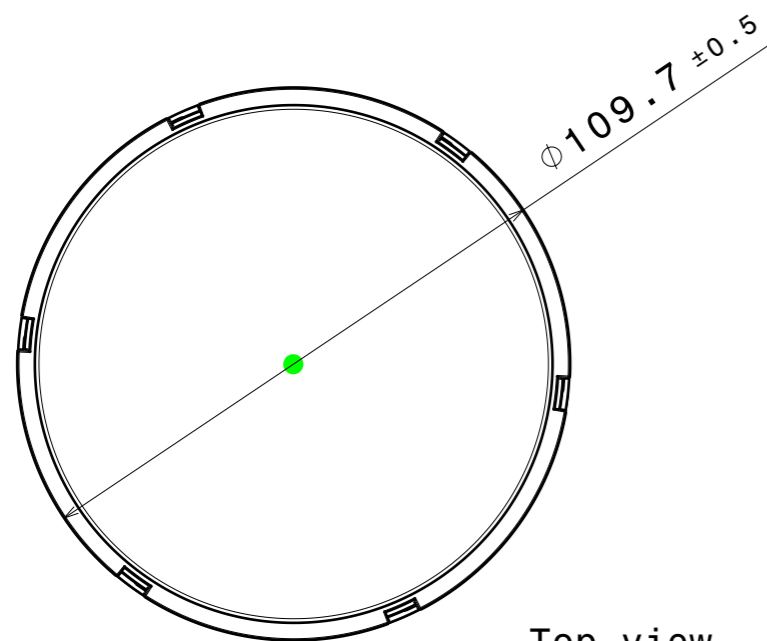
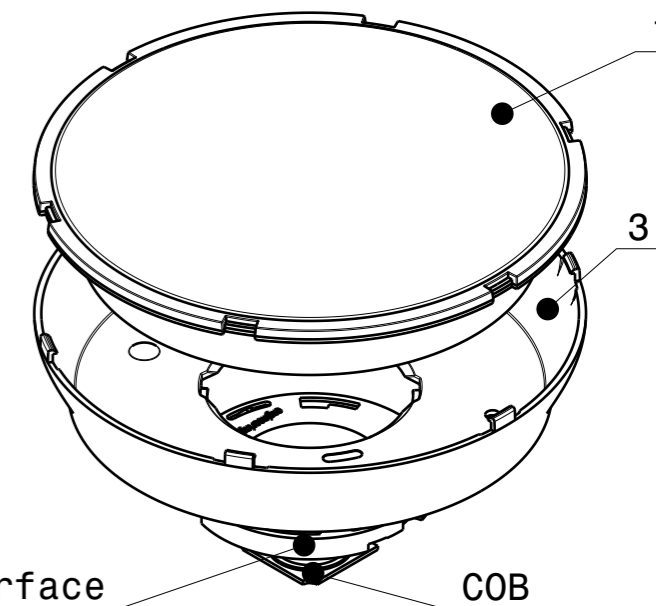


CP18573_ AMY-110-W-C
CP19030_ AMY-110-W-C-WHT



CP18577_ AMY-110-W-B
CP19034_ AMY-110-W-B-WHT



Top view
Scale: 2:3

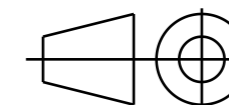
INDEX	PART	TYPE	QTY	MATERIAL	COLOUR/COATING	ASSEMBLY CODES
1	AMY-110-W	LENS	1			
	C18569_ AMY-110-W			PMMA	CLEAR	
2	HOLDER C	HOLDER 1				
	C18556_ AMY-110-HLD-C			PC	BLACK	CP18573_ AMY-110-W-C
	C18939_ AMY-110-HLD-C-WHT			PC	WHITE	CP19030_ AMY-110-W-C-WHT
3	HOLDER B					
	C18571_ AMY-110-HLD-B			PC	BLACK	CP18577_ AMY-110-W-B
	C18940_ AMY-110-HLD-B-WHT			PC	WHITE	CP19034_ AMY-110-W-B-WHT

MECHANICAL DRAWING

PRODUCT
AMY-110-W

Plastic moulding general tolerances according to DIN 16901-130 and applies if not otherwise shown in the drawing. Silicone moulding general tolerances according to ISO 3302-1 Class M3 and applies if not otherwise shown in the drawing.

FIRST ANGLE PROJECTION:



LEDiL

This drawing is the property of LEDiL Oy. It may not be copied or otherwise distributed without prior written permission from LEDiL Oy.

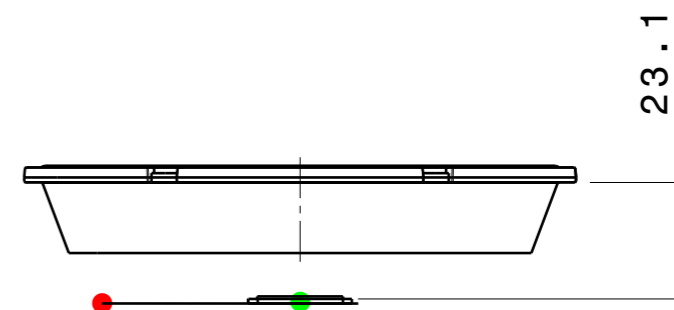
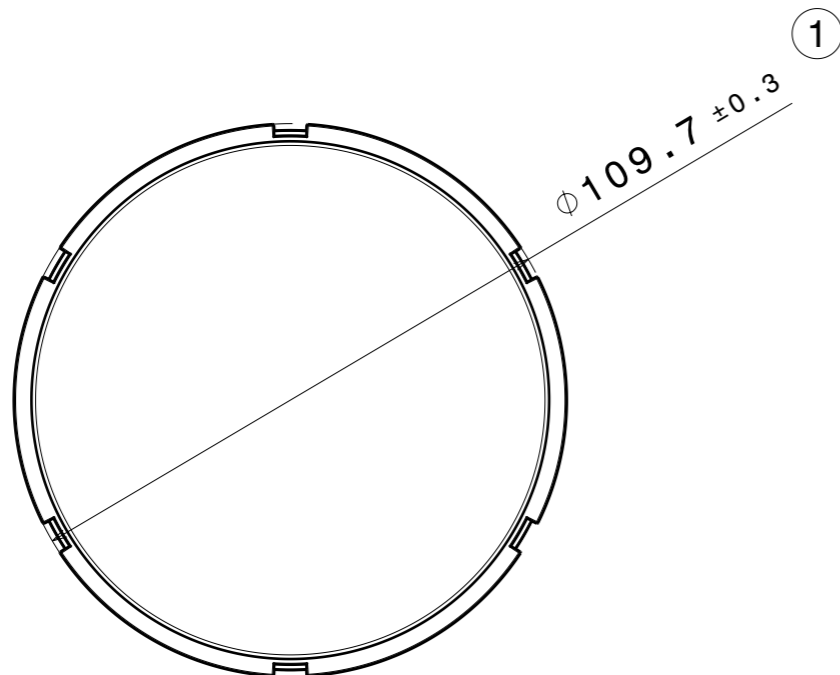
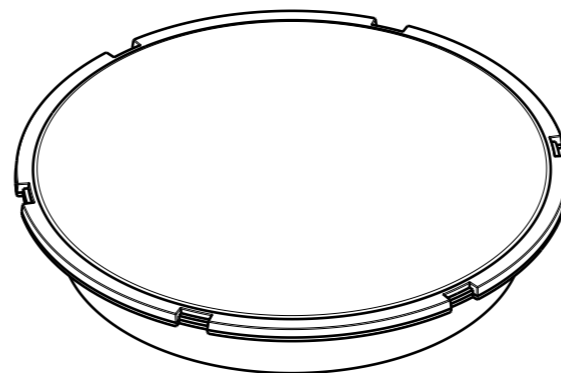
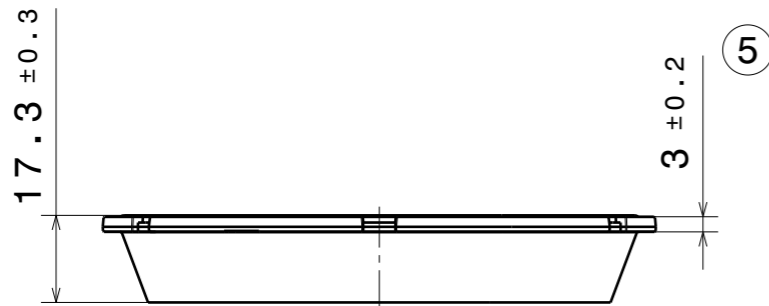
SCALE 2:3

WEIGHT -

A3 SHEET 1/2

Notes

- PCB or heatsink level.
- LED location
- Ensure LED fitting from a product specific 3D model available from www.ledil.com
- For more details about installation please see LEDiL Installation Guide on www.ledil.com



PART	TYPE	MATERIAL	COLOR / COATING
C18569_AMY-110-W	LENS	PMMA	CLEAR

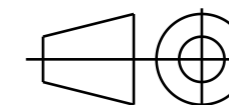
MECHANICAL DRAWING

PRODUCT
AMY-110-W

LEDiL

Plastic moulding general tolerances according to DIN 16901-130 and applies if not otherwise shown in the drawing.
Silicone moulding general tolerances according to ISO 3302-1 Class M3 and applies if not otherwise shown in the drawing.

FIRST ANGLE PROJECTION:



This drawing is the property of LEDiL Oy. It may not be copied or otherwise distributed without prior written permission from LEDiL Oy.

SCALE 2:3

WEIGHT -

A3 SHEET 2/2

Notes

	PCB or heatsink level.
	LED location
	Ensure LED fitting from a product specific 3D model available from www.ledil.com
	For more details about installation please see LEDiL Installation Guide on www.ledil.com