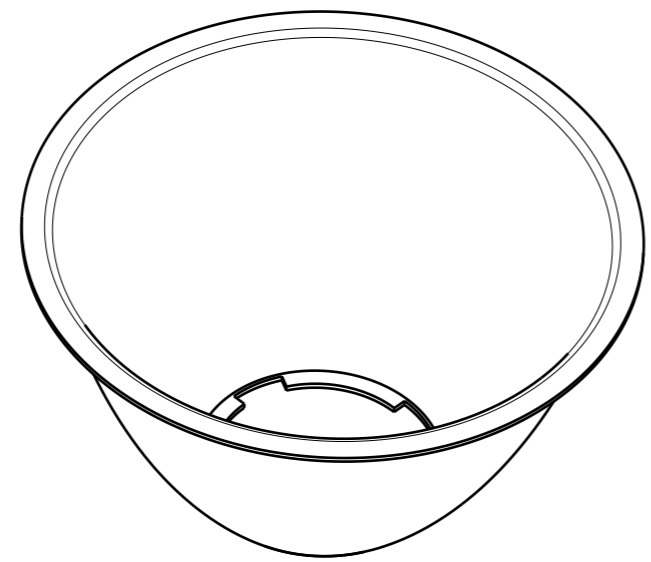
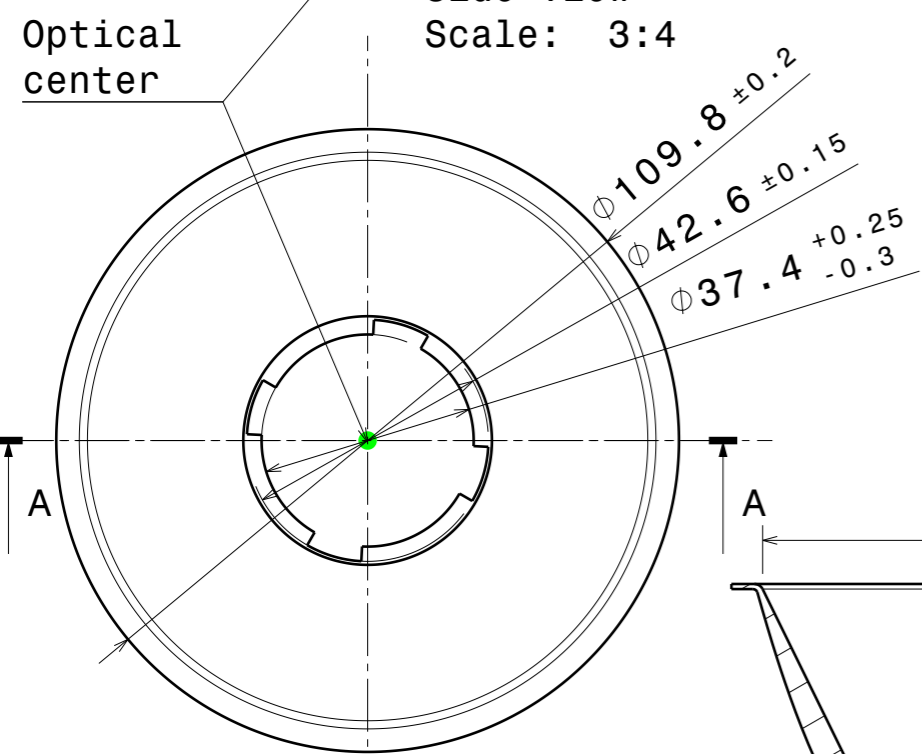


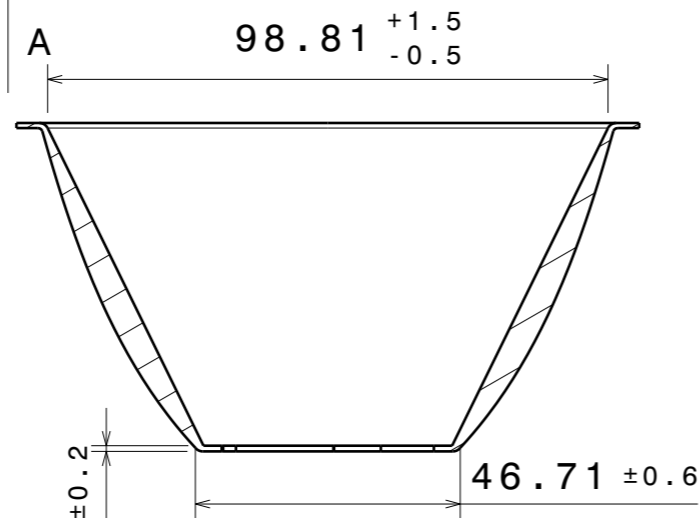
Side view
Scale: 3:4



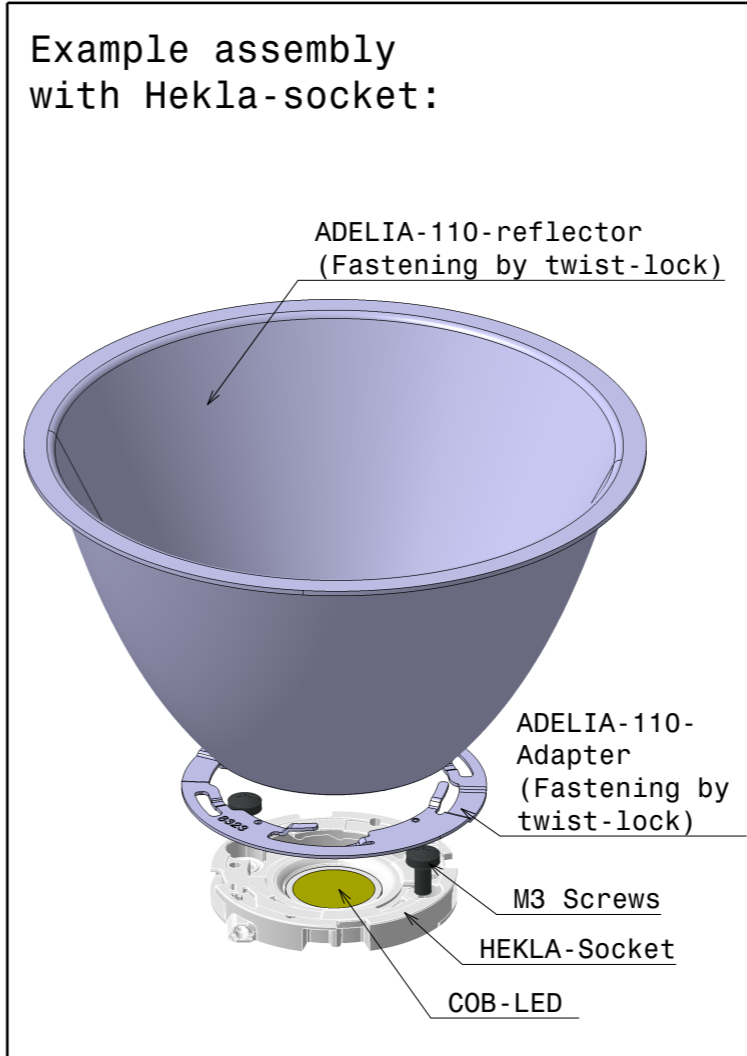
Isometric view
Scale: 3:4



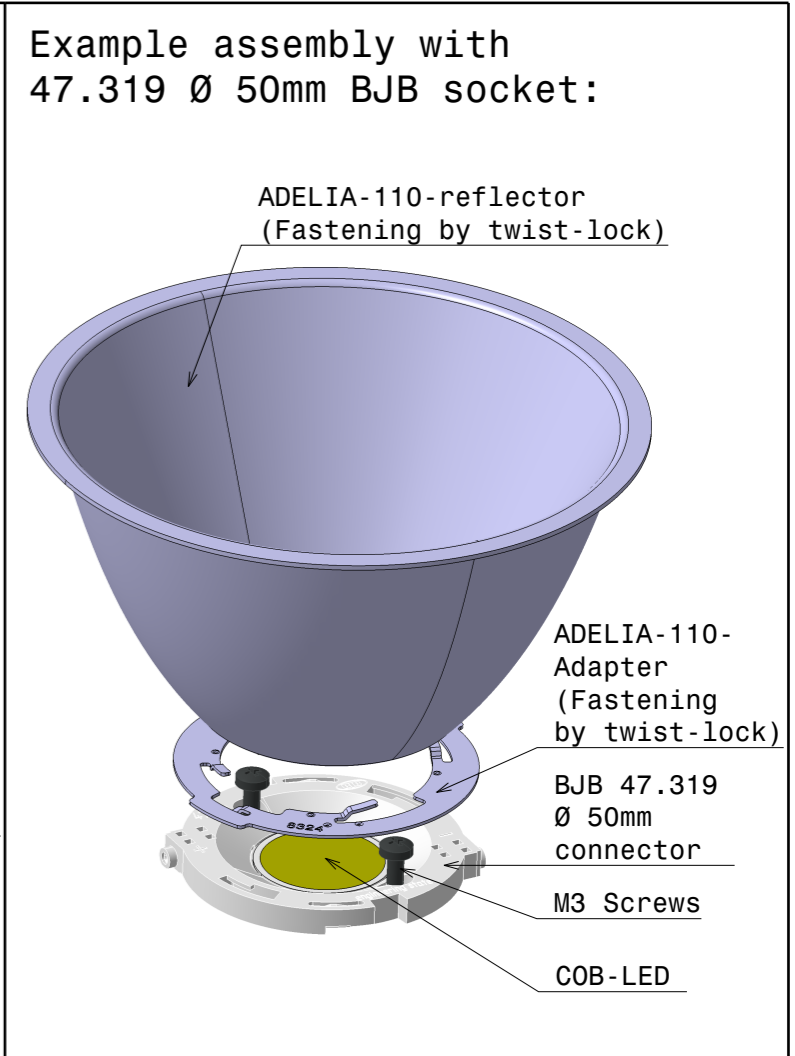
Top view
Scale: 3:4



Section view A-A
Scale: 3:4



Example assembly
with Hekla-socket:



Example assembly with
47.319 Ø 50mm BJB socket:

Notes

- PCB or heatsink level.
- LED location
- Ensure LED fitting from a product specific 3D model available from www.ledil.com
- For more details about installation please see LEDiL Installation Guide on www.ledil.com

PART	TYPE	MATERIAL	COLOR / COATING
C18319/C18320/C18321_ADELIA-110-S/M/W_mechanical_Model	Reflector	Aluminium	Polished

MECHANICAL DRAWING	
PRODUCT ADELIA-110-S/M/W	
FIRST ANGLE PROJECTION: 	
SCALE 1:1	WEIGHT -

LEDiL

This drawing is the property of LEDiL Oy. It may not be copied or otherwise distributed without prior written permission from LEDiL Oy.

A3 SHEET 1/1