

CN18923_ADELY-70-WW

COMPONENTS

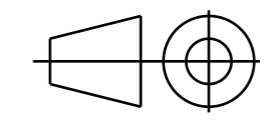
INDEX	PART	TYPE	COUNT	MATERIAL	COLOR / COATING
1	C18919_ADELY-70-WW	REFLECTOR	1	Aluminium	Anodized/Polished
2	C19427_ADELY-70-HLD2-C C19428_ADELY-70-HLD2-B	HOLDER	1	PC	Black

MECHANICAL DRAWING

PRODUCT
ADELY

Plastic moulding general tolerances according to DIN 16901-130 and applies if not otherwise shown in the drawing.
Silicone moulding general tolerances according to ISO 3302-1 Class M3 and applies if not otherwise shown in the drawing.

FIRST ANGLE PROJECTION:



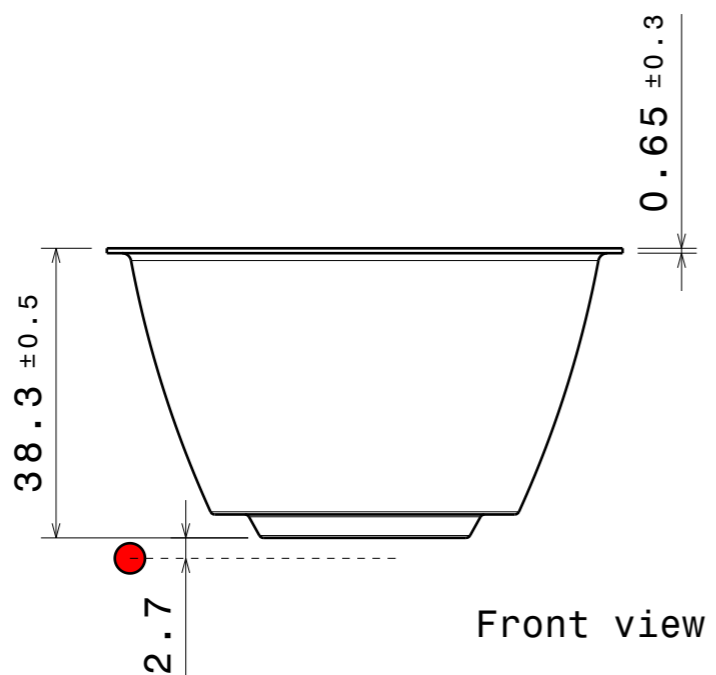
LEDiL

This drawing is the property of LEDiL Oy. It may not be copied or otherwise distributed without prior written permission from LEDiL Oy.

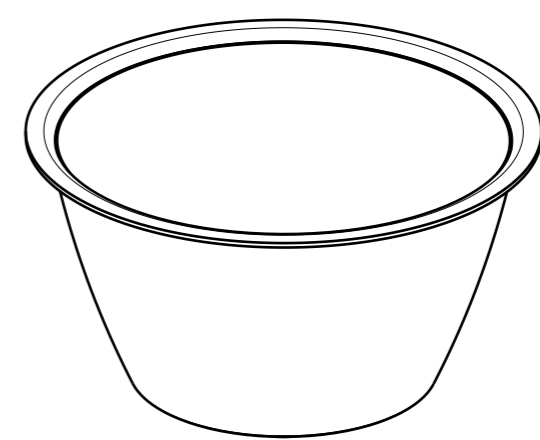
SCALE	1:1	WEIGHT	-	A3	SHEET 1/2
-------	-----	--------	---	----	-----------

Notes

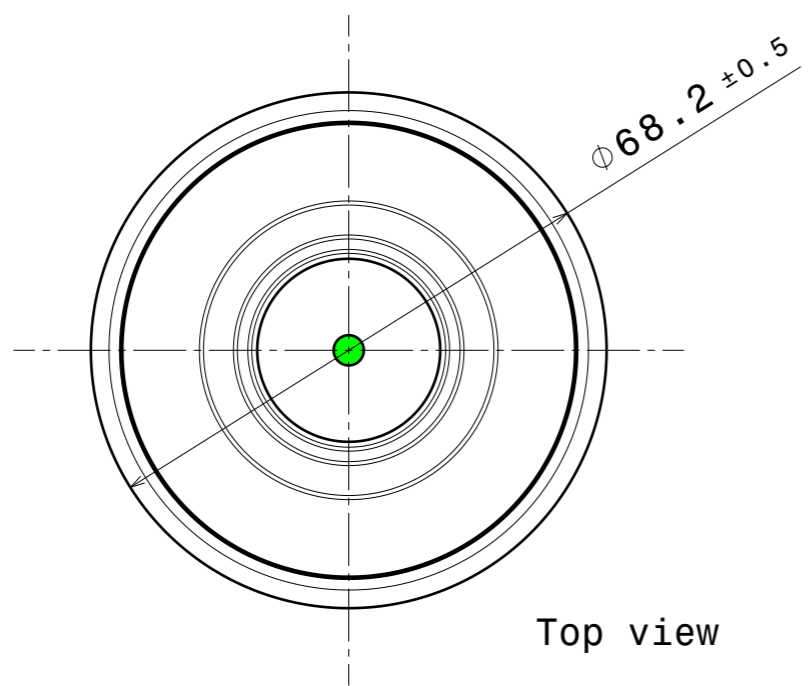
- PCB or heatsink level.
- LED location
- Ensure LED fitting from a product specific 3D model available from www.ledil.com
- For more details about installation please see LEDiL Installation Guide on www.ledil.com



Front view



Isometric view



Top view

PART	TYPE	MATERIAL	COLOR / COATING
C18919_ADELY-70-WW	REFLECTOR	Aluminium	Anodized/Polished

MECHANICAL DRAWING		LEDiL
PRODUCT ADELY		
Plastic moulding general tolerances according to DIN 16901-130 and applies if not otherwise shown in the drawing. Silicone moulding general tolerances according to ISO 3302-1 Class M3 and applies if not otherwise shown in the drawing.	FIRST ANGLE PROJECTION: 	This drawing is the property of LEDiL Oy. It may not be copied or otherwise distributed without prior written permission from LEDiL Oy.
SCALE 1:1	WEIGHT -	A3 SHEET 2/2

Notes

	PCB or heatsink level.
	LED location
	Ensure LED fitting from a product specific 3D model available from www.ledil.com
	For more details about installation please see LEDiL Installation Guide on www.ledil.com